

# AV RECEIVER/AV AMPLIFIER RX-V2300/DSP-AX2300 RX-V1300/RX-V1300RDS/HTR-5590/DSP-AX1300 SERVICE MANUAL

## IMPORTANT NOTICE

This manual has been provided for the use of authorized YAMAHA Retailers and their service personnel. It has been assumed that basic service procedures inherent to the industry, and more specifically YAMAHA Products, are already known and understood by the users, and have therefore not been restated.

**WARNING:** Failure to follow appropriate service and safety procedures when servicing this product may result in personal injury, destruction of expensive components, and failure of the product to perform as specified. For these reasons, we advise all YAMAHA product owners that any service required should be performed by an authorized YAMAHA Retailer or the appointed service representative.

**IMPORTANT:** The presentation or sale of this manual to any individual or firm does not constitute authorization, certification or recognition of any applicable technical capabilities, or establish a principle-agent relationship of any form.

The data provided is believed to be accurate and applicable to the unit(s) indicated on the cover. The research, engineering, and service departments of YAMAHA are continually striving to improve YAMAHA products. Modifications are, therefore, inevitable and specifications are subject to change without notice or obligation to retrofit. Should any discrepancy appear to exist, please contact the distributor's Service Division.

**WARNING:** Static discharges can destroy expensive components. Discharge any static electricity your body may have accumulated by grounding yourself to the ground buss in the unit (heavy gauge black wires connect to this buss).

**IMPORTANT:** Turn the unit OFF during disassembly and part replacement. Recheck all work before you apply power to the unit.

## ■ CONTENTS


TO SERVICE PERSONNEL .....	2	AMP ADJUSTMENT / アンプ部調整 .....	46~47
IMPEDANCE SELECTOR .....	2	DISPLAY DATA .....	48~49
FRONT PANELS .....	3~4	IC DATA .....	50~53
REAR PANELS .....	5~9	BLOCK DIAGRAM .....	54~55
REMOTE CONTROL .....	9	PRINTED CIRCUIT BOARD .....	56~81
SPECIFICATIONS .....	10~12	PIN CONNECTION DIAGRAM .....	82
INTERNAL VIEW .....	13	SCHEMATIC DIAGRAM .....	83~92
DISASSEMBLY PROCEDURES / 分解手順 .....	14~18	PARTS LIST .....	93~153
SELF DIAGNOSIS FUNCTION (DIAG) / 自己診断機能 (ダイアグ) .....	19~45	REMOTE CONTROL .....	154~159
		Parts List for Carbon Resistors .....	160



このサービスマニュアルは、エコマーク認定の再生紙を使用しています。  
This Service Manual uses recycled paper.



## ■ TO SERVICE PERSONNEL

- Critical Components Information  
 Components having special characteristics are marked  and must be replaced with parts having specifications equal to those originally installed.
  - Leakage Current Measurement (For 120V Models Only)  
 When service has been completed, it is imperative to verify that all exposed conductive surfaces are properly insulated from supply circuits.
- Meter impedance should be equivalent to 1500 ohm shunted by 0.15μF.



### “CAUTION”

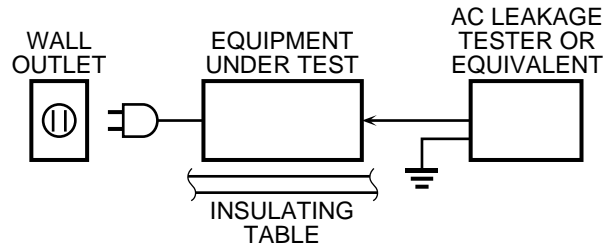
“F1: FOR CONTINUED PROTECTION AGAINST RISK OF FIRE, REPLACE ONLY WITH SAME TYPE 8A, 125V FUSE.”

### CAUTION

F1: REPLACE WITH SAME TYPE 8A, 125V FUSE.

### ATTENTION

F1: UTILISER UN FUSIBLE DE RECHANGE DE MEME TYPE DE 8A, 125V.



- Leakage current must not exceed 0.5mA.
- Be sure to test for leakage with the AC plug in both polarities.

## WARNING: CHEMICAL CONTENT NOTICE!

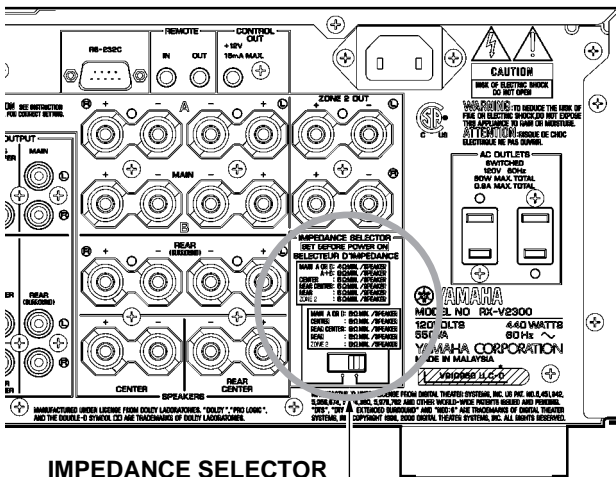
The solder used in the production of this product contains LEAD. In addition, other electrical/electronic and/or plastic (where applicable) components may also contain traces of chemicals found by the California Health and Welfare Agency (and possibly other entities) to cause cancer and/or birth defects or other reproductive harm.

DO NOT PLACE SOLDER, ELECTRICAL/ELECTRONIC OR PLASTIC COMPONENTS IN YOUR MOUTH FOR ANY REASON WHATSOEVER!

Avoid prolonged, unprotected contact between solder and your skin! When soldering, do not inhale solder fumes or expose eyes to solder/flux vapor!

If you come in contact with solder or components located inside the enclosure of this product, wash your hands before handling food.

## ■ IMPEDANCE SELECTOR

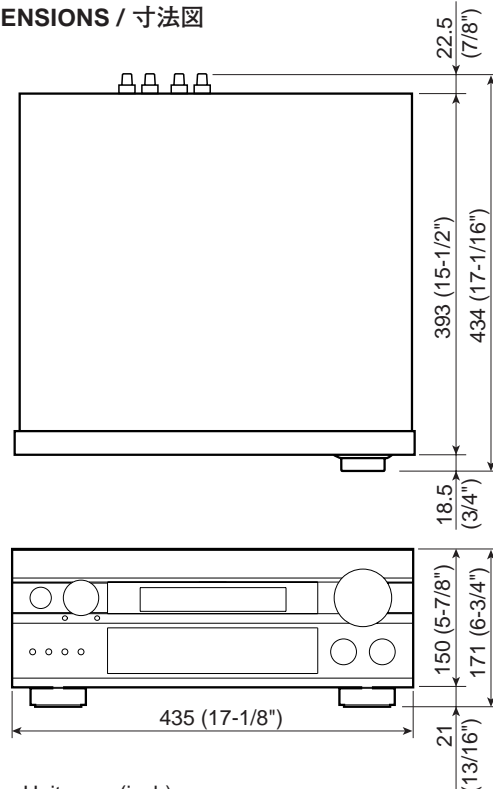


### IMPEDANCE SELECTOR

#### WARNING:

Do not change the IMPEDANCE SELECTOR switch setting while the power to this unit is on, otherwise this unit may be damaged.

## • DIMENSIONS / 寸法図

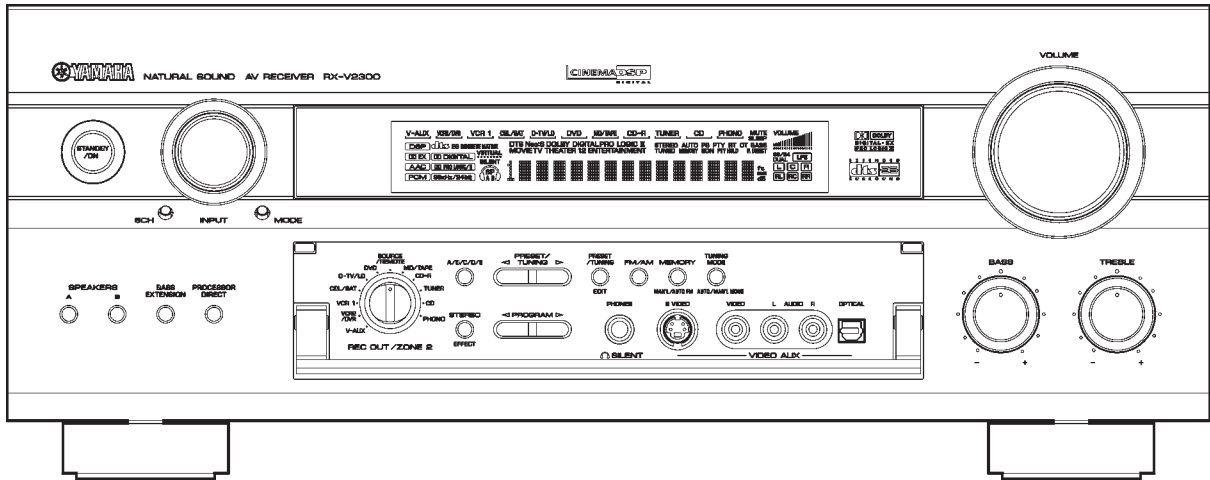


Unit : mm (inch)  
 単位: mm (インチ)

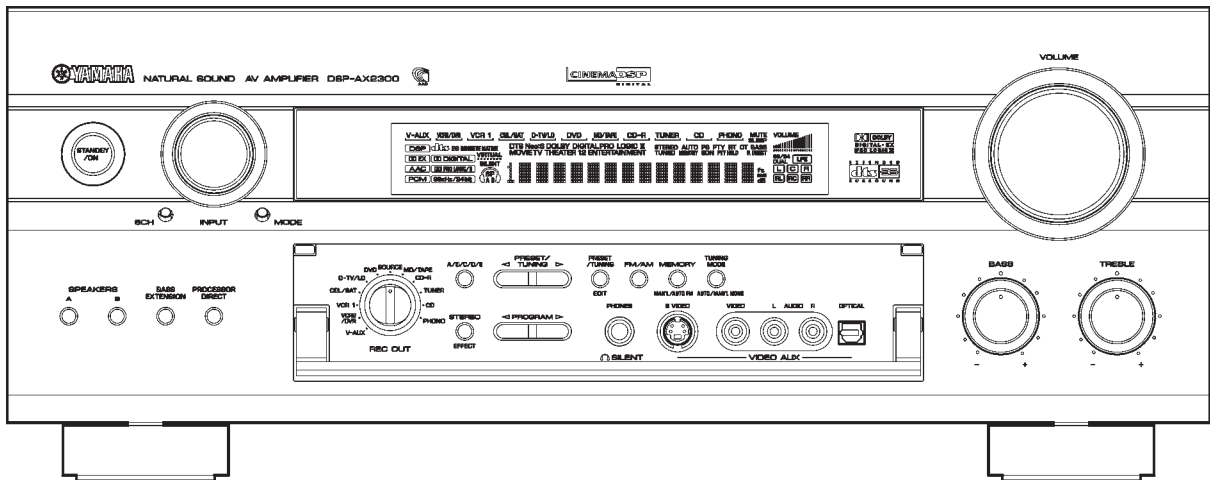
RX-V2300/DSP-AX2300  
 RX-V1300/RX-V1300RDS/HTR-5590/DSP-AX1300

# FRONT PANELS

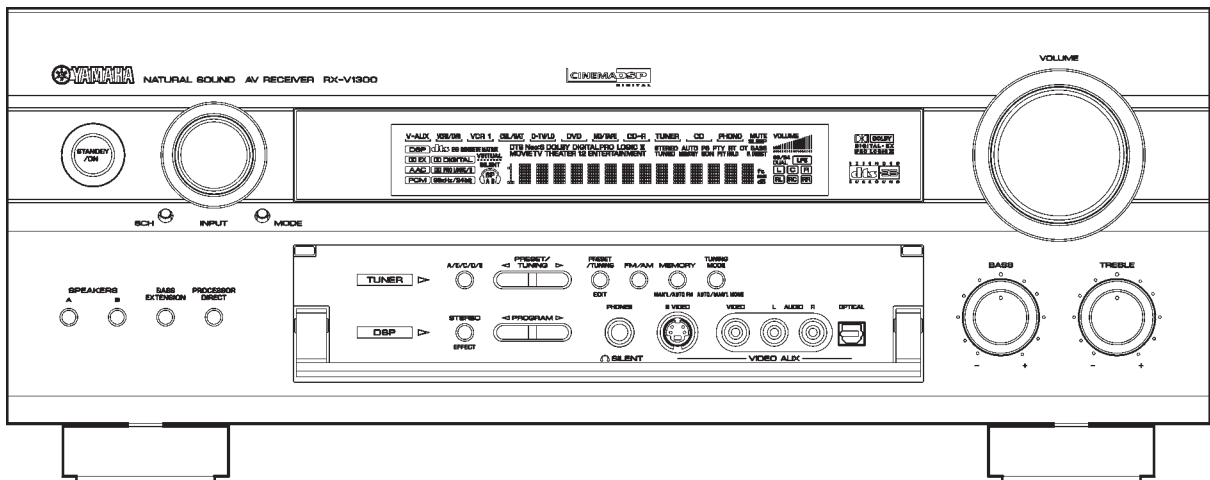
## RX-V2300 (U, C, A, R, T, K models)



## DSP-AX2300 (J model)

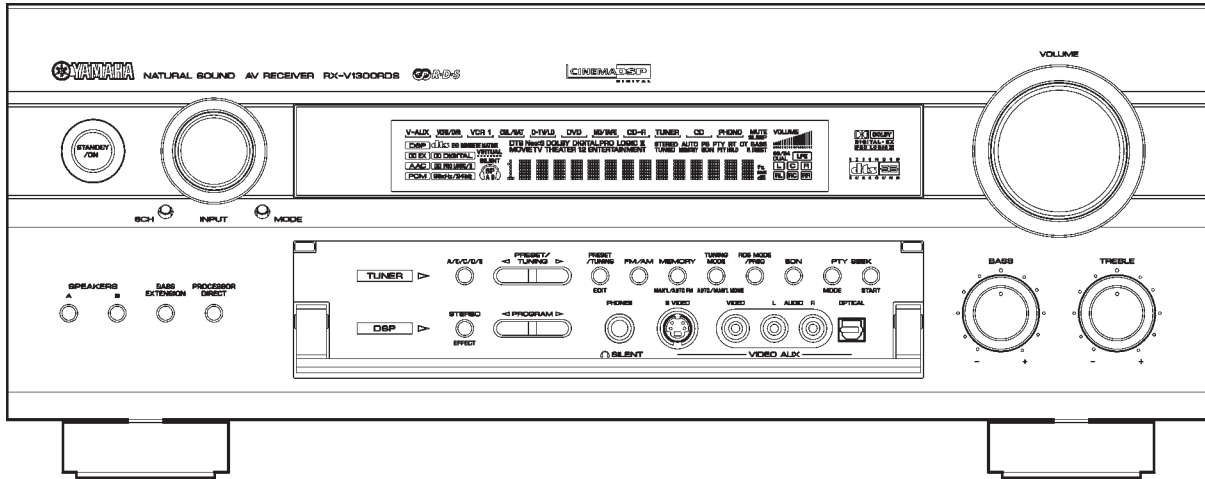


## RX-V1300 (U, C, A, R, T, K models)

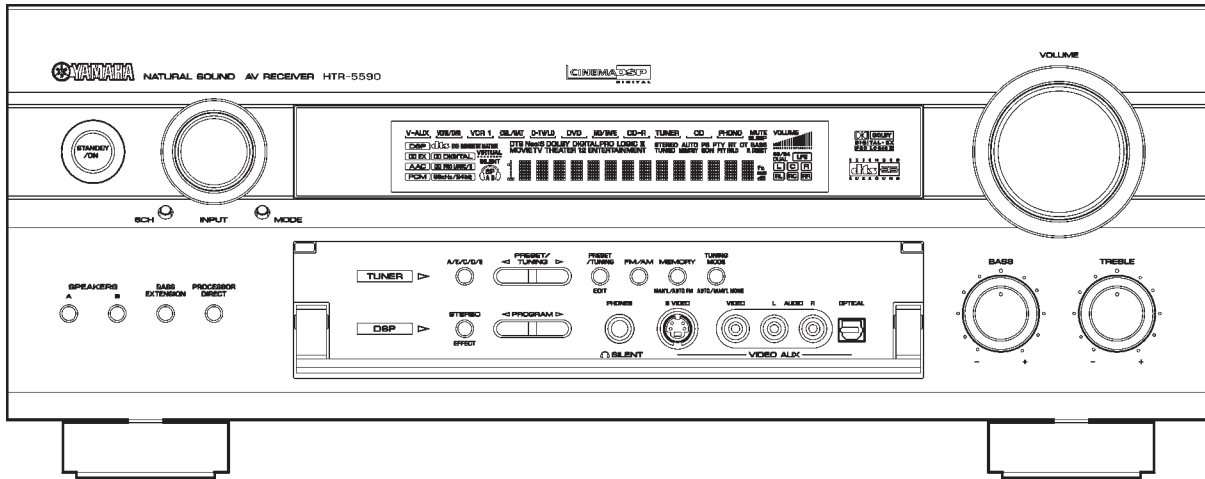


RX-V1300/RX-V1300RDS/HTR-5590/DSP-AX1300

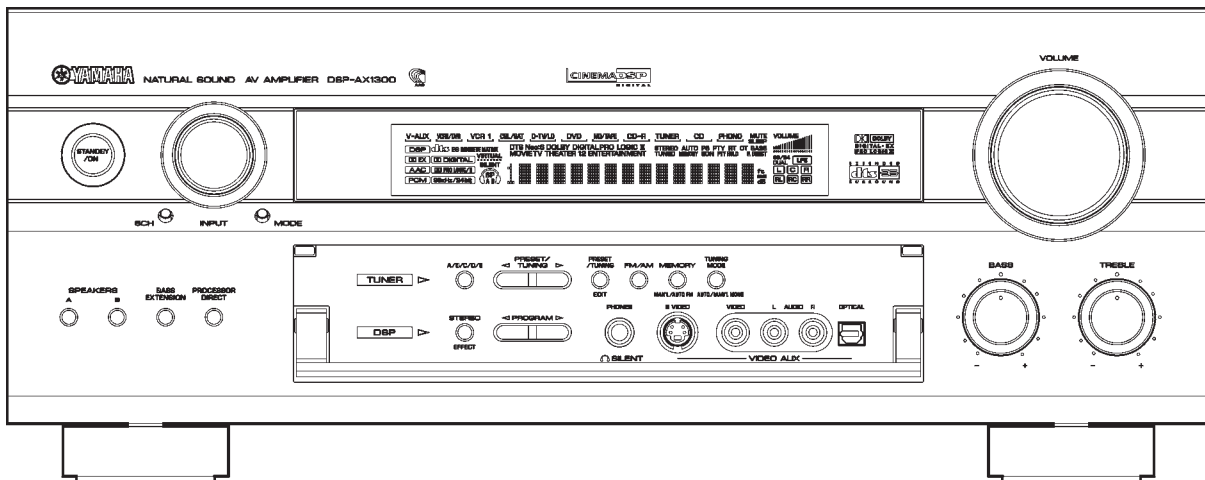
RX-V1300RDS (B, G models)



HTR-5590 (U, C, A, T, K models)



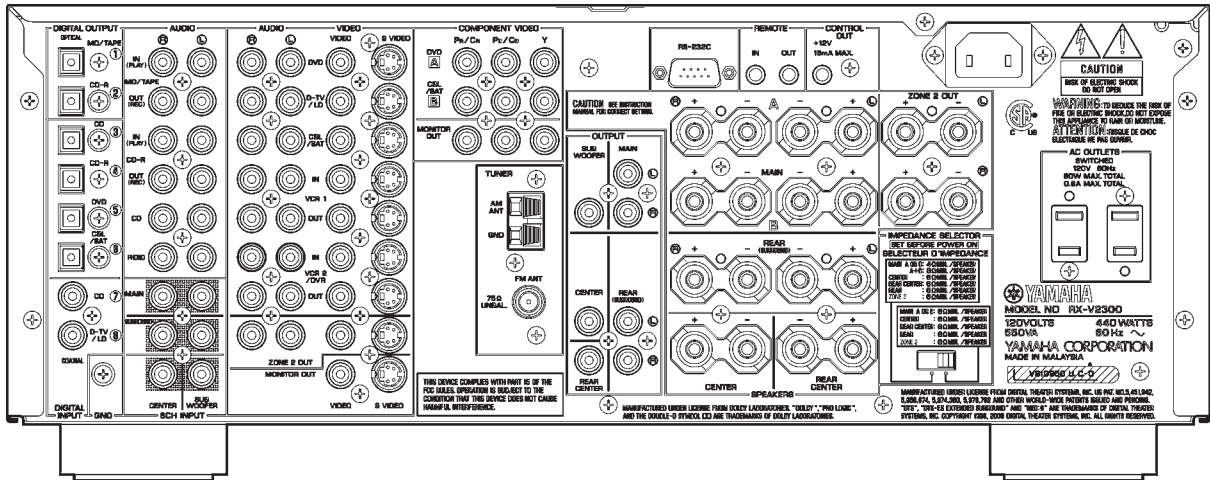
DSP-AX1300 (J model)



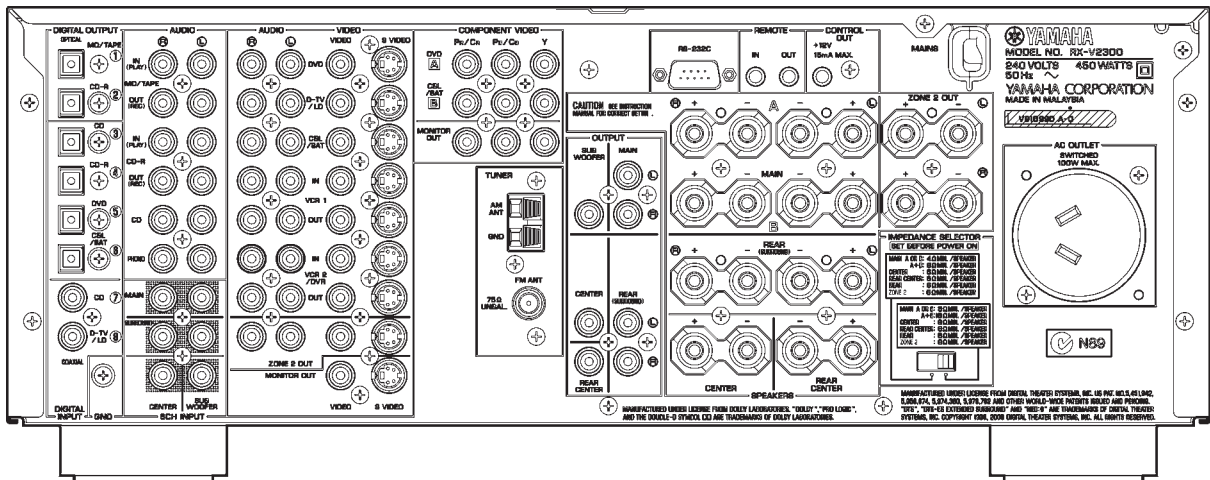
RX-V2300/DSP-AX2300  
 RX-V1300/RX-V1300RDS/HTR-5590/DSP-AX1300

# REAR PANELS

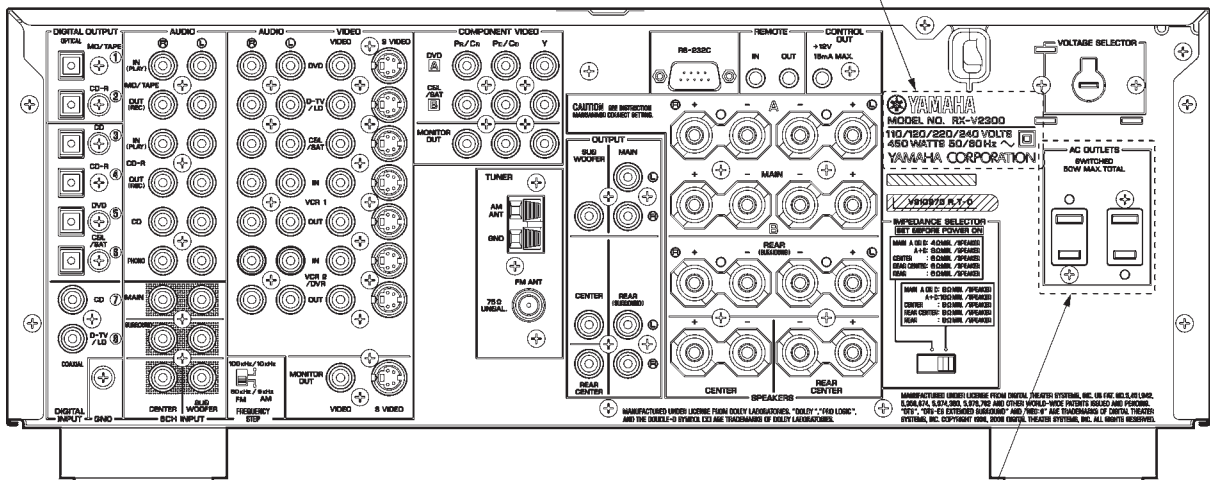
## RX-V2300 (U, C models)



## RX-V2300 (A model)



## RX-V2300 (R, T, K models)

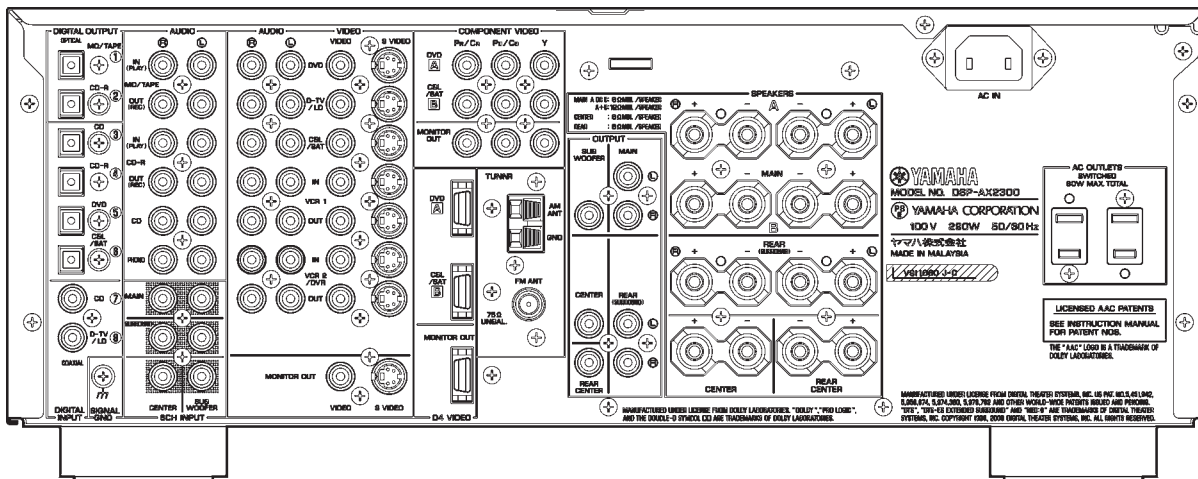


R model

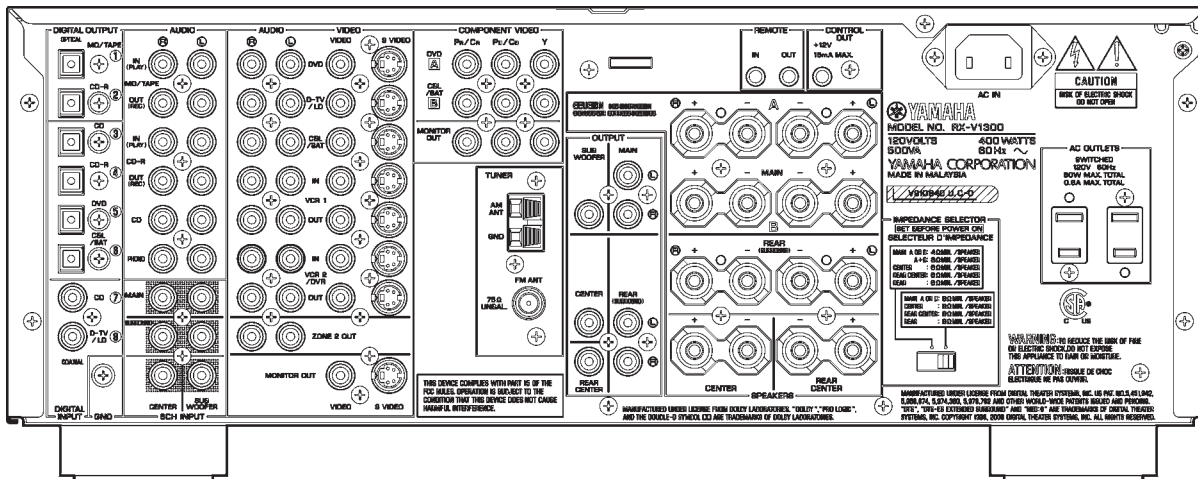
AC OUTLETS: R, T models only

RX-V1300/RX-V1300RDS/HTR-5590/DSP-AX1300  
RX-V2300/DSP-AX2300

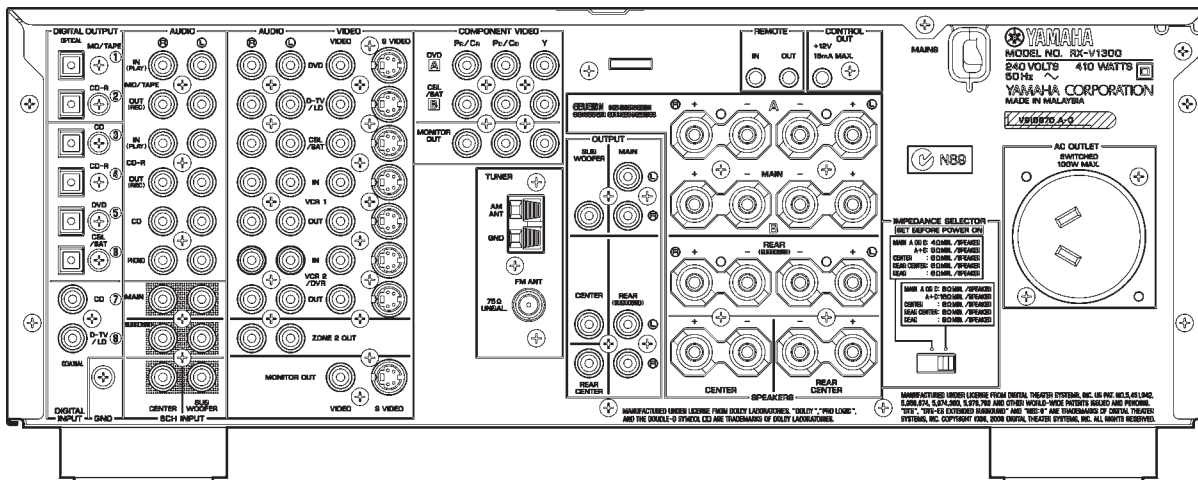
DSP-AX2300 (J model)



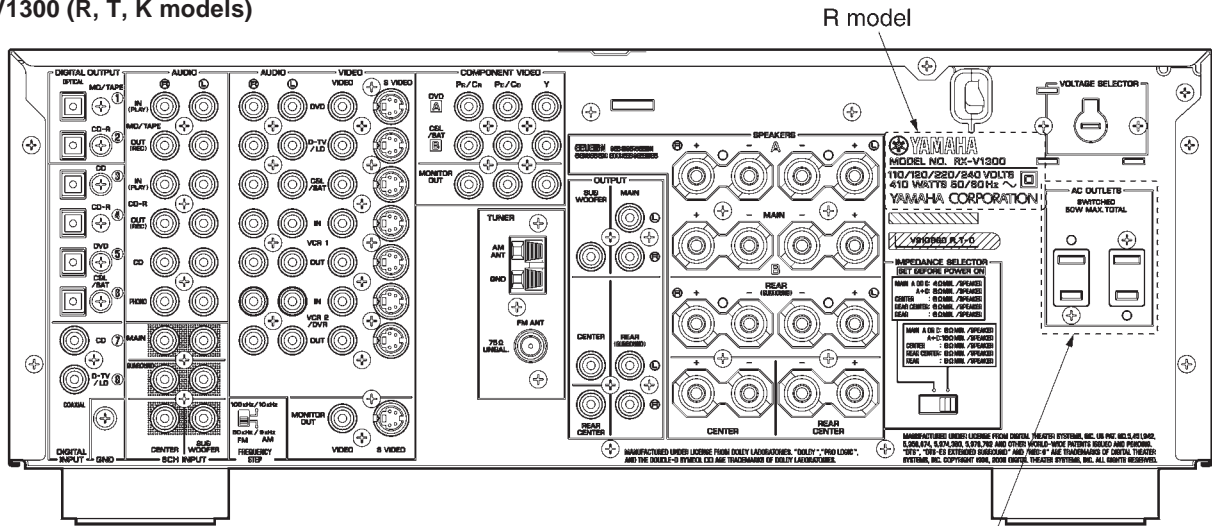
RX-V1300 (U, C models)



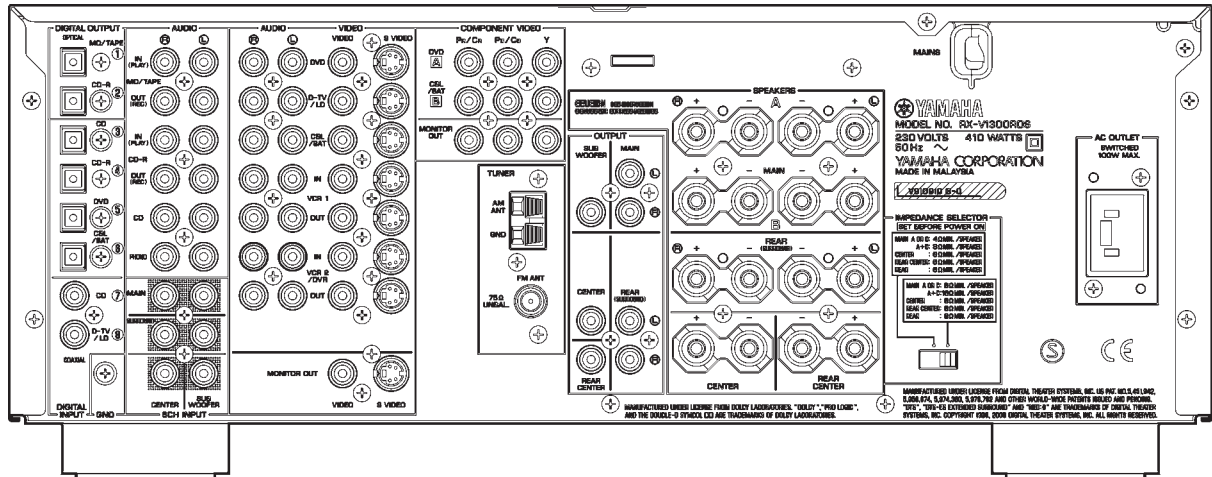
RX-V1300 (A model)



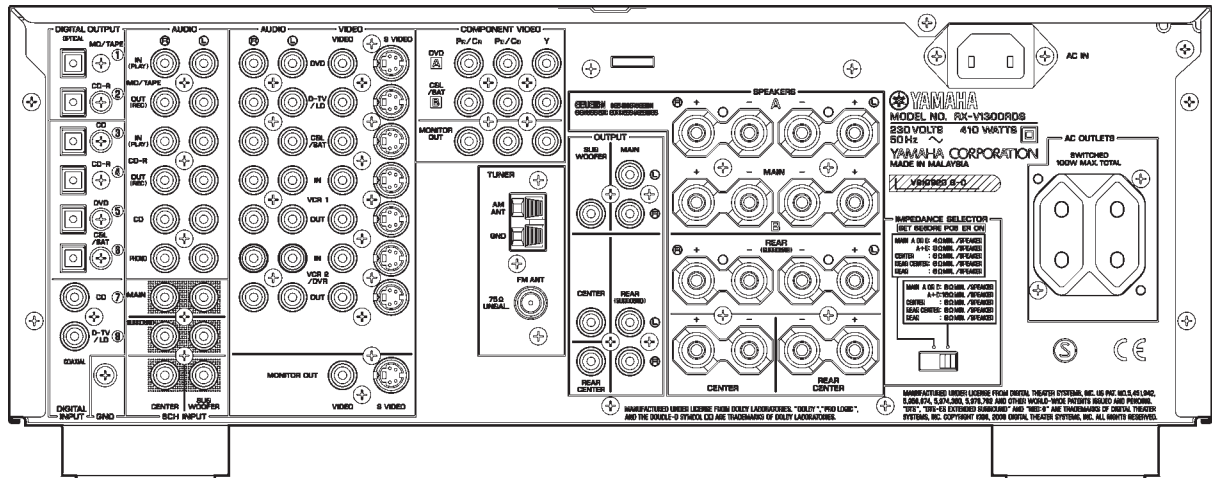
RX-V1300 (R, T, K models)



RX-V1300RDS (B model)

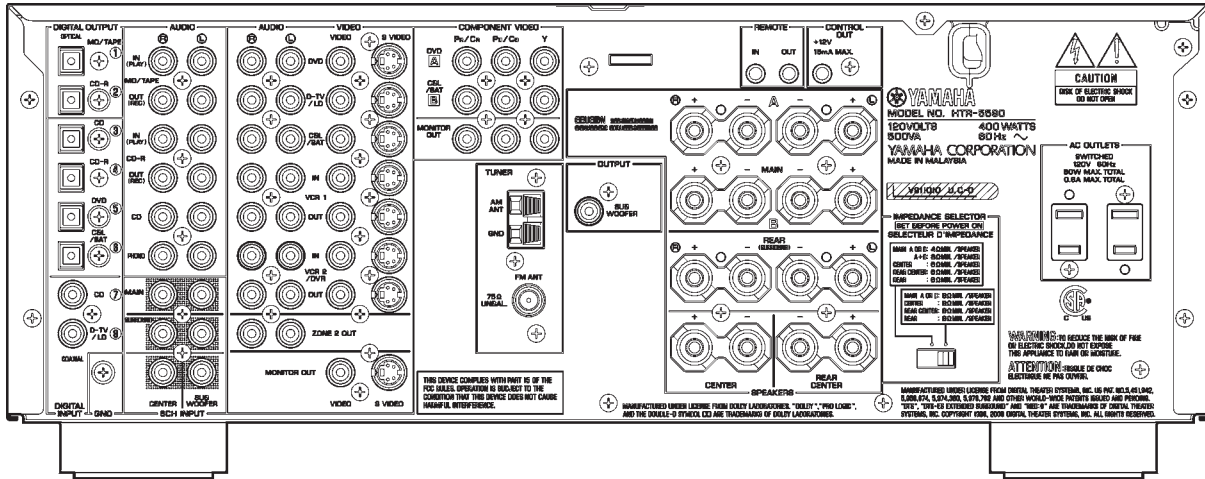


RX-V1300RDS (G model)

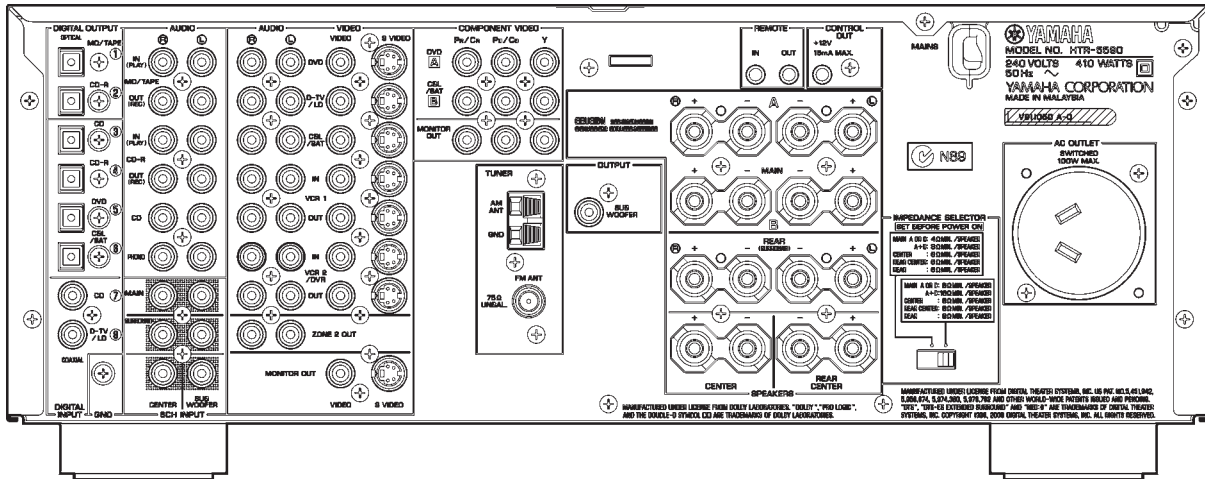


RX-V1300/RX-V1300RDS/HTR-5590/DSP-AX1300  
 RX-V2300/DSP-AX2300

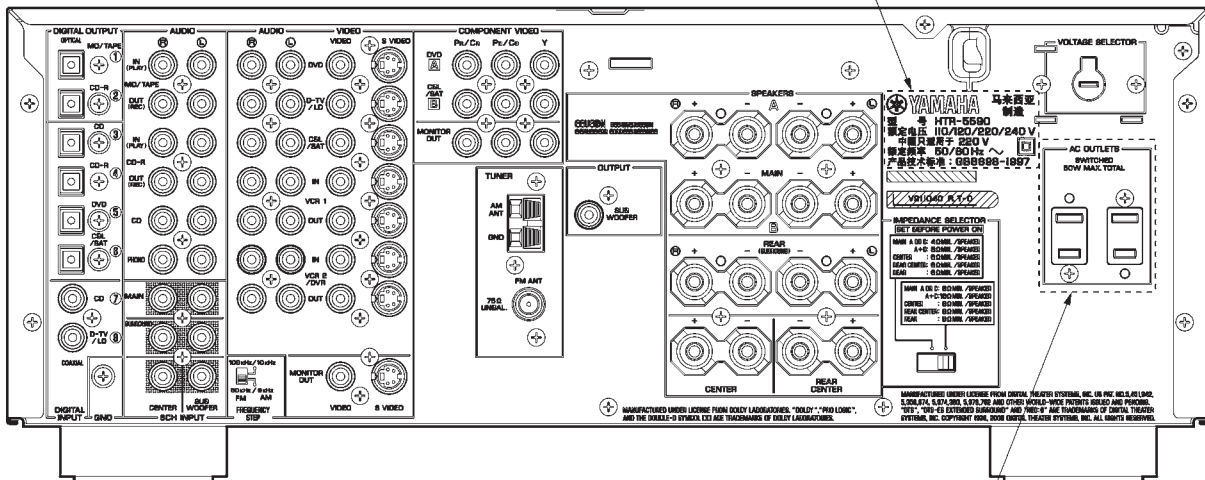
HTR-5590 (U, C models)



HTR-5590 (A model)



HTR-5590 (T, K models)

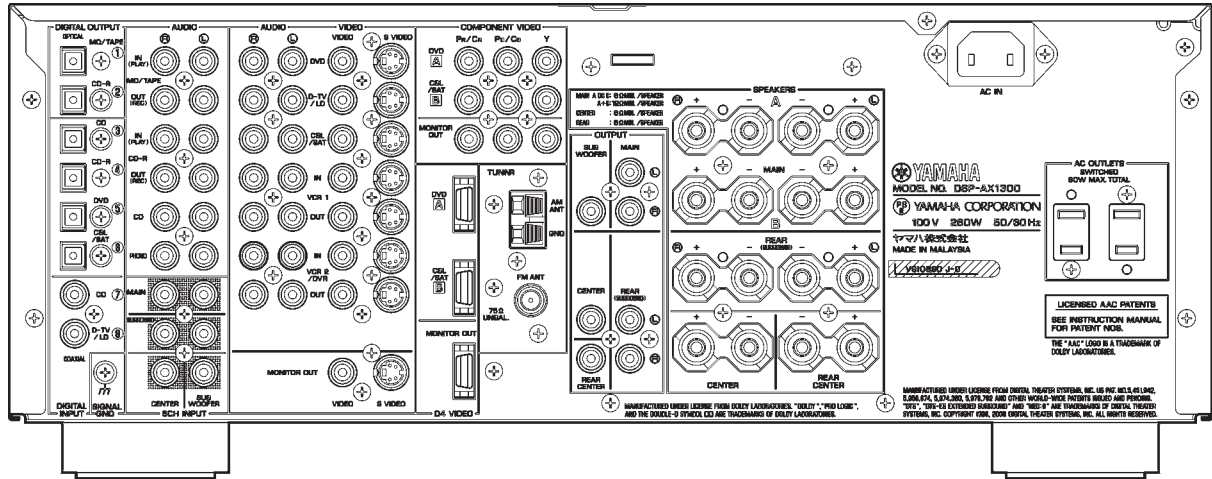


T model

AC OUTLETS: T model only

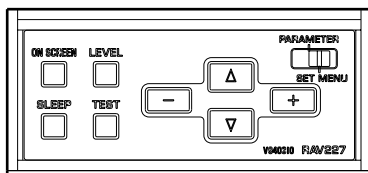
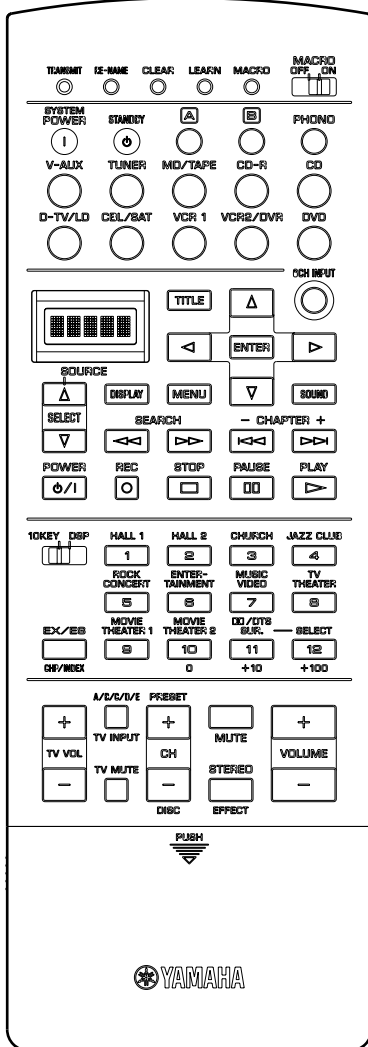


DSP-AX1300 (J model)

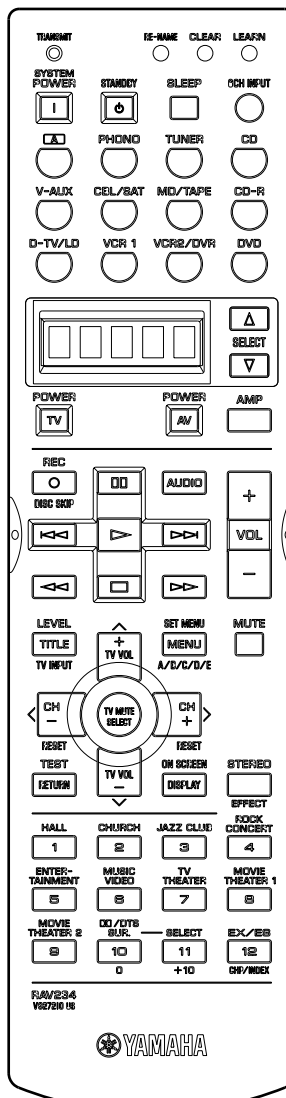


REMOTE CONTROL

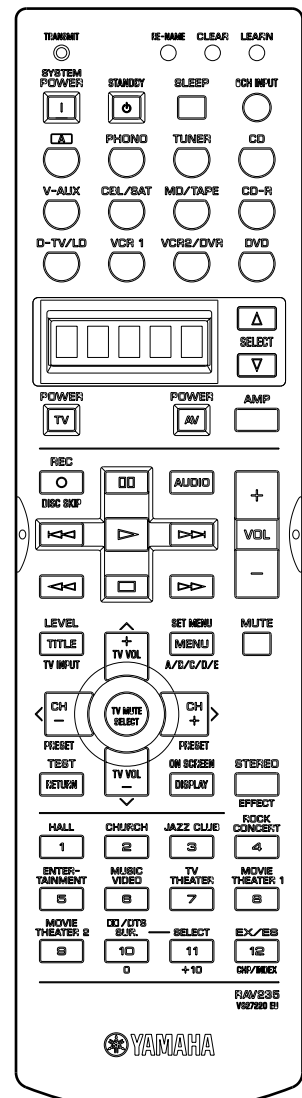
RX-V2300/DSP-AX2300



RX-V1300/HTR-5590/DSP-AX1300  
(U, C, A, R, T, K, J models)



RX-V1300RDS  
(B, G models)



RX-V1300/RX-V1300RDS/HTR-5590/DSP-AX1300

## ■ SPECIFICATIONS / 参考仕様

### ■ Audio Section / オーディオ部

#### Minimum RMS Output Power (Power Amp. Section) / 定格出力 (パワーアンプ部)

<b>RX-V2300/DSP-AX2300</b> (20 Hz to 20 kHz, 0.04% THD)	
MAIN L/R	
U, C, A, R, T, K models (8 ohms)	110W + 110W
J model (6 ohms)	110W + 110W
CENTER	
U, C, A, R, T, K models (8 ohms)	110W
J model (6 ohms)	110W
REAR L/R	
U, C, A, R, T, K models (8 ohms)	110W + 110W
J model (6 ohms)	110W + 110W
REAR CENTER	
U, C, A, R, T, K models (8 ohms)	110W
J model (6 ohms)	110W
<b>RX-V1300/RX-V1300RDS/HTR-5590/DSP-AX1300</b> (20 Hz to 20 kHz, 0.04% THD)	
MAIN L/R	
U, C, A, B, G, R, T, K models (8 ohms)	100W + 100W
J model (6 ohms)	100W + 100W
CENTER	
U, C, A, B, G, R, T, K models (8 ohms)	100W
J model (6 ohms)	100W
REAR L/R	
U, C, A, B, G, R, T, K models (8 ohms)	100W + 100W
J model (6 ohms)	100W + 100W
REAR CENTER	
U, C, A, B, G, R, T, K models (8 ohms)	100W
J model (6 ohms)	100W

#### Maximum Power / 実用最大出力 (EIAJ, 1kHz, 10% THD)

<b>RX-V2300/DSP-AX2300</b>	
MAIN L/R	
R, T models (8 ohms)	165W + 165W
J model (6 ohms)	165W + 165W
CENTER	
R, T models (8 ohms)	165W
J model (6 ohms)	165W
REAR L/R	
R, T models (8 ohms)	165W + 165W
J model (6 ohms)	165W + 165W
REAR CENTER	
R, T models (8 ohms)	165W
J model (6 ohms)	165W
<b>RX-V1300/RX-V1300RDS/HTR-5590/DSP-AX1300</b>	
MAIN L/R	
R, T models (8 ohms)	150W + 150W
J model (6 ohms)	150W + 150W
CENTER	
R, T models (8 ohms)	150W
J model (6 ohms)	150W
REAR L/R	
R, T models (8 ohms)	150W + 150W
J model (6 ohms)	150W + 150W
REAR CENTER	
R, T models (8 ohms)	150W
J model (6 ohms)	150W

#### Dynamic Power Per Channel / ダイナミックパワー (IHF)

<b>RX-V2300/DSP-AX2300</b>	
U, C, R, T, K models (8/6/4/2 ohms)	155/195/240/275W
<b>RX-V1300/RX-V1300RDS/HTR-5590/DSP-AX1300</b>	
U, C, R, T, K models (8/6/4/2 ohms)	140/170/205/245W
<b>DIN Standard Output Power Per Channel / DINパワー [B, G models]</b>	
<b>RX-V1300RDS</b> (1 kHz, 0.7% THD, 4 ohms)	
MAIN L/R	145W + 145W
CENTER	145W
REAR L/R	145W + 145W
REAR CENTER	145W

#### Dynamic Headroom / ダイナミックヘッドルーム

<b>RX-V2300</b>	
U, C, R, T, K models (8 ohms)	1.49dB
<b>RX-V1300/HTR-5590</b>	
U, C, R, T, K models (8 ohms)	1.46dB

#### IEC Power / IECパワー [B, G models]

<b>RX-V1300RDS</b> (1 kHz, 0.04% THD, 8 ohms)	
MAIN L/R	115W + 115W

#### Damping Factor / ダンピングファクタ

20 Hz to 20 kHz, SPEAKER-A, 8 ohms	80 or more
------------------------------------	------------

#### Input Sensitivity / Input Impedance (入力感度/入力インピーダンス)

PHONO (MM)	2.5 mV / 47 k-ohms
CD, etc.	150 mV / 47 k-ohms
6CH INPUT	
MAIN L/R, CENTER, SURROUND L/R, SUB WOOFER	150 mV / 47 k-ohms

#### Maximum Input Signal Level / 最大許容入力

PHONO (MM) (1 kHz, 0.1% THD)	100mV
CD, etc. (1 kHz, 0.5% THD, Effect On)	2.2V

#### Output Level / Output Impedance (出力電圧/出力インピーダンス)

REC OUT	150 mV / 1.2 k-ohms
PRE OUT (MAIN L/R, CENTER, REAR L/R/C)	1.0 V / 1.2 k-ohms
SUB WOOFER (MAIN SP: Small)	4.0 V / 1.2 k-ohms

#### RX-V2300/RX-V1300/HTR-5590 [U, C, A models]

ZONE 2 OUT (ZONE 2 VOL: FIX -16dB)	150 mV / 1.5 k-ohms
------------------------------------	---------------------

#### Headphone Jack Rated Output / Impedance (ヘッドフォン出力/出力インピーダンス)

CD, etc. (1 kHz, 35 mV, 8 ohms)	150 mV / 100 ohms
---------------------------------	-------------------

#### Frequency Response / 周波数特性

CD, etc. to MAIN L/R (10 Hz to 100 kHz)	+0/-3.0dB
---	-----------

#### RIAA Equalization Deviation / RIAA偏差

20 Hz to 20 kHz, PHONO (MM)	0±0.5dB
-----------------------------	---------

#### Total Harmonic Distortion / 全高調波歪率 (20Hz to 20kHz)

PHONO (MM) to REC OUT (1V)	0.02% or less
----------------------------	---------------

#### RX-V2300/DSP-AX2300

CD, etc. (STEREO) to MAIN L/R SP OUT (55W, 8 ohms)	0.04% or less
--	---------------

#### RX-V1300/RX-V1300RDS/HTR-5590/DSP-AX1300

CD, etc. (STEREO) to MAIN L/R SP OUT (50W, 8 ohms)	0.04% or less
--	---------------

#### Signal to Noise Ratio / 信号対雑音比 (IHF-A network)

PHONO (MM) (Input shorted) to SP OUT	
U, C, R, T, K models (5mV)	86dB or more
A, B, G models (5mV)	81dB or more
J model (2.5mV)	80dB or more
CD, etc. (Input shorted, STEREO) to SP OUT	
150mV	96dB or more
250mV	100dB or more

#### Residual Noise / 残留ノイズ (IHF-A network)

MAIN L/R SP OUT	150µV or less
-----------------	---------------

#### Channel Separation / チャンネルセパレーション

(STEREO)	
PHONO (Input shorted, 1 kHz/10 kHz)	60dB or more/55dB or more
CD, etc. (Input 5.1 k-ohms shorted, 1 kHz/10 kHz)	60dB or more/45dB or more

#### Tone Control Characteristics / トーンコントロール特性

<b>BASS</b>	
Boost/Cut	±10dB (50Hz)
Turnover Frequency	350Hz
<b>TREBLE</b>	
Boost/Cut	±10dB (20kHz)
Turnover Frequency	3.5kHz

#### Filter Characteristics / フィルター特性

MAIN, CENTER, REAR L/R/C SP Small (H.P.F.)	90Hz / 12dB oct.
SUBWOOFER (L.P.F.)	90Hz / 18dB oct.

#### Bass Extension / バスエクステンション

MAIN L/R	+6dB (60Hz)
----------	-------------

### ■ Video Section / ビデオ部

#### Video Signal Type / ビデオ信号方式

U, C, J models	NTSC
A, B, G models	PAL
R, T, K models	NTSC or PAL

#### Composite Video Signal Level / コンポジットビデオ信号

	1 Vp-p / 75 ohms
--	------------------

#### S-Video Signal Level / Sビデオ信号

Y	1 Vp-p / 75 ohms
C	0.286 Vp-p / 75 ohms

#### Component Video Signal Level / コンポーネントビデオ信号

Y	1 Vp-p / 75 ohms
Cb/Cr	0.7 Vp-p / 75 ohms

#### Video Maximum Input Level / ビデオ最大許容入力

	1.5 Vp-p
--	----------

#### Video Signal to Noise Ratio / ビデオ信号対雑音比

	50 dB or more
--	---------------

#### Monitor Out Frequency Response / モニターアウト周波数帯域

Composite Video Signal, S-Video Signal	5 Hz to 10 MHz, -3 dB
Component Video Signal, D4-Video Signal	DC to 60 MHz, -3 dB

### ■ FM Section / FM部

#### Tuning Range

U, C models	87.5 to 107.9 MHz
A, B, G models	87.50 to 108.00 MHz
R, T, K models	87.5 to 108.0 / 87.50 to 108.00 MHz
J model	76.0 to 90.0 MHz

#### 50dB Quieting Sensitivity / 50dB SN感度 (IHF)

(1kHz, 100% Mod.)	
Mono	2.0 µV (17.3 dBf)
Stereo	25 µV (39.2 dBf)

#### Usable Sensitivity / 実用感度 (IHF)

Mono	1.0 µV (11.2 dBf)
------	-------------------

#### Selectivity / 選択度

at 400 kHz	70 dB
------------	-------

#### Signal to Noise Ratio / 信号対雑音比 (IHF)

Mono / Stereo	76 dB / 70 dB
---------------	---------------

#### Harmonic Distortion / 歪率

(1 kHz)	
Mono/Stereo	0.2 / 0.3 %

#### Stereo Separation / ステレオセパレーション

1 kHz	45 dB
-------	-------

#### Frequency Response / 周波数特性

20 Hz to 15 kHz	+0.5 / -2 dB
-----------------	--------------

#### Antenna Input / アンテナ入力

	75 ohms unbalanced
--	--------------------

■ AM Section / AM部

**Tuning Range / 受信周波数範囲**  
 U, C models ..... 530 to 1,710 kHz  
 A, B, G, J models ..... 531 to 1,611 kHz  
 R, T, K models ..... 530 to 1,710 / 531 to 1,611 kHz

**Usable Sensitivity / 実用感度**  
 ..... 300 μV/m

**Antenna / アンテナ入力**  
 ..... Loop Antenna

■ General / 総合

**Power Supply / 電源電圧**  
 U, C models ..... AC 120 V, 60 Hz  
 A model ..... AC 240 V, 50 Hz  
 B, G models ..... AC 230 V, 50 Hz  
 R model ..... AC 110/120/220/240 V, 50/60 Hz  
 T model ..... AC 220 V, 50 Hz  
 K model ..... AC 110/220 V, 60 Hz  
 J model ..... AC 100V, 50/60 Hz

**Power Consumption / 消費電力**  
**RX-V2300/DSP-AX2300**  
 U, C models ..... 440 W / 550 VA  
 A, R, T, K models ..... 450 W  
 J model ..... 290 W

**RX-V1300/RX-V1300RDS/HTR-5590/DSP-AX1300**  
 U, C models ..... 400 W / 500 VA  
 A, B, G, R, T, K models ..... 410 W  
 J model ..... 260 W

**Standby Power Consumption (reference data) / 待機電力(参考値)**  
**RX-V2300/DSP-AX2300**  
 U, C, J models ..... 0.6 W  
 A model ..... 0.7 W  
 R model ..... 1.1 W  
 T, K models ..... 0.9 W

**RX-V1300/RX-V1300RDS/HTR-5590/DSP-AX1300**  
 U, C, A, B, G models ..... 0.6 W  
 R model ..... 0.9 W  
 T model ..... 0.8 W  
 K model ..... 0.7 W  
 J model ..... 0.5 W

**Maximum Power Consumption (6ch Drive, 10% THD)**  
**RX-V2300**  
 R model ..... 1050 W

**RX-V1300**  
 R model ..... 950 W

**AC Outlets / ACアウトレット**  
 2 switched outlets  
 U, C, J models ..... 80 W max. total  
 G model ..... 100 W max. total  
 R, T models ..... 50 W max. total

1 switched outlet  
 A, B models ..... 100W max.

**Dimensions / 寸法 (W x H x D)**  
 ..... 435 x 171 x 434 mm (17-1/8" x 6-3/4" x 17-1/16")

**Weight / 重量**  
 ..... 15.0 kg (33 lbs. 1 oz.)

**Finish / 仕上げ**

RX-V2300/RX-V1300 ..... Gold color (R, T, K) models  
 Black color (U, C, A, R) models

RX-V1300RDS ..... Gold color (G) model  
 Black color (B, G) models  
 Titan color (G) model

HTR-5590 ..... Gold color (T, K) model  
 Black color (U, C, A) models

DSP-AX2300/DSP-AX1300 .. Gold color (J) model

**Accessories / 付属品**

Remote Control, Batteries (Manganese Dry), Indoor FM Antenna, AM Loop Antenna, Power Cable

\* Specifications are subject to change without notice due to product improvements.

※ 参考仕様および外観は予告なく変更されることがあります。

U ..... U.S.A. model  
 A ..... Australian model  
 G ..... European model  
 T ..... Chinese model  
 J ..... Japanese model

C ..... Canadian model  
 B ..... British model  
 R ..... General model  
 K ..... Korean model



Manufactured under license from Dolby Laboratories. "Dolby", "Pro Logic" and the double-D symbol are trademarks of Dolby Laboratories.

ドルビーラボラトリーズからの実施権に基づき製造されています。ドルビー、DOLBY、ドルビーデジタル、PRO LOGICおよびダブルD記号DDは、ドルビーラボラトリーズの商標です。



"DTS" and "DTS Digital Surround" are registered trademarks of Digital Theater Systems, Inc.

DTS、DTS-ES ExtendedサラウンドおよびNeo:6はデジタルシアターシステムズの登録商標です。



AACロゴマークはドルビーラボラトリーズの商標です。

● Set Menu Table / セットメニュー

No.	SET MENU	PRESET VALUE	SETTING RANGES
1.	SPEAKER SET		
1A	CENTER SPEAKER	LARGE	LARGE, SMALL, NONE
1B	MAIN SPEAKER	LARGE	LARGE, SMALL
1C	REAR L/R SPEAKER	LARGE	LARGE, SMALL, NONE
1D	REAR CENTER SPEAKER	LARGE	LARGE, SMALL, NONE
1E	LFE/BASS OUT	BOTH	SUBWOOFER, MAIN, BOTH
1F	MAIN LEVEL	NORMAL	NORMAL, -10dB
1G	SP B SET	MAIN	MAIN, ZONE B
2.	LOW FREQ. TEST	TEST TONE : OFF OUTPUT : MAIN L/R FREQ. : 88Hz	OFF, ON MAIN L/R, L, C, R, RS, RC, LS, SWFR 35Hz/ ●● /88Hz/ ●● /WIDE
3.	L/R BALANCE	CENTER	L, ●●, CENTER, ●●, R (40 steps)
4.	HP TONE CONTROL	HP BASS : 0dB HP TREBLE : 0dB	-6dB — +3dB (1dB step) -6dB — +3dB (1dB step)
5.	CENTER GRAPHIC EQ.	100Hz : 0dB 300Hz : 0dB 1kHz : 0dB 3kHz : 0dB 10kHz : 0dB	-6dB — +6dB (1dB step) -6dB — +6dB (1dB step) -6dB — +6dB (1dB step) -6dB — +6dB (1dB step) -6dB — +6dB (1dB step)
6.	INPUT RENAME	DVD (Currently selected input)	

RX-V2300/DSP-AX2300  
RX-V1300/RX-V1300RDS/HTR-5590/DSP-AX1300

No.	SET MENU	PRESET VALUE	SETTING RANGES
7.	I/O ASSIGNING		
7A	COMPONENT VIDEO INPUT 1	[A] : DVD	DVD, D-TV/LD, CABLE, SAT, VCR1, VCR2/DVR, V-AUX
	COMPONENT VIDEO INPUT 2	[B] : D-TV/LD	DVD, D-TV/LD, CABLE, SAT, VCR1, VCR2/DVR, V-AUX
7B	OPTICAL OUT 1	(1) : MD/TAPE	DVD, MD/TAPE, D-TV/LD, CABLE, SAT, VCR1, VCR2/DVR, V-AUX, PHONO, CD, CD-R
	OPTICAL OUT 2	(2) : CD-R	DVD, MD/TAPE, D-TV/LD, CABLE, SAT, VCR1, VCR2/DVR, V-AUX, PHONO, CD, CD-R
7C	OPTICAL IN 1	(3) : CD	CD, CD-R, MD/TAPE, DVD, D-TV/LD, CABLE, SAT, VCR1, VCR2/DVR, PHONO
	OPTICAL IN 2	(4) : CD-R	CD, CD-R, MD/TAPE, DVD, D-TV/LD, CABLE, SAT, VCR1, VCR2/DVR, PHONO
	OPTICAL IN 3	(5) : DVD	CD, CD-R, MD/TAPE, DVD, D-TV/LD, CABLE, SAT, VCR1, VCR2/DVR, PHONO
	OPTICAL IN 4	(6) : D-TV/LD	CD, CD-R, MD/TAPE, DVD, D-TV/LD, CABLE, SAT, VCR1, VCR2/DVR, PHONO
7D	COAXIAL IN 1	(7) : CD	CD, CD-R, MD/TAPE, DVD, D-TV/LD, CABLE, SAT, VCR1, VCR2/DVR, V-AUX, PHONO
	COAXIAL IN 2	(8) : CBL/SAT	CD, CD-R, MD/TAPE, DVD, D-TV/LD, CABLE, SAT, VCR1, VCR2/DVR, V-AUX, PHONO
	COAXIAL IN 3	(9) : D-TV/LD	CD, CD-R, MD/TAPE, DVD, D-TV/LD, CABLE, SAT, VCR1, VCR2/DVR, V-AUX, PHONO
8.	INPUT MODE	AUTO	AUTO/LAST
9.	PARAMETER INITIALIZE	PARAMETER INITIALIZE	The number key of the remote controller is pushed and initialized.
10.	LFE LEVEL	SPEAKER : 0dB HEADPHONE : 0dB	-2dB — 0dB (1dB step) -2dB — 0dB (1dB step)
11.	DYNAMIC RANGE	SP DYNAMIC RANGE : MAX HP DYNAMIC RANGE : MAX	MAX, STD, MIN MAX, STD, MIN
12.	SPEAKER DELAY TIME	CENTER : 0ms REAR CENTER : 3ms	0ms — 5ms (1ms step) 0ms — 30ms (1ms step)
13.	DISPLAY SET	DIMMER : 0 OSD SHIFT : 0 GRAY BACK : AUTO	-4 — 0 (1 step) -5 — +5 (1 step) AUTO/OFF
14.	MEMORY GUARD	OFF	ON/OFF
15.	6CH INPUT SET		
15A	CENTER to	CT	CT, MAIN
15B	SWFR to	SW	SW, MAIN
16.	<b>ZONE 2 SET</b>	<b>OUT VOL: VAR.</b>	<b>VAR., FIXED</b>

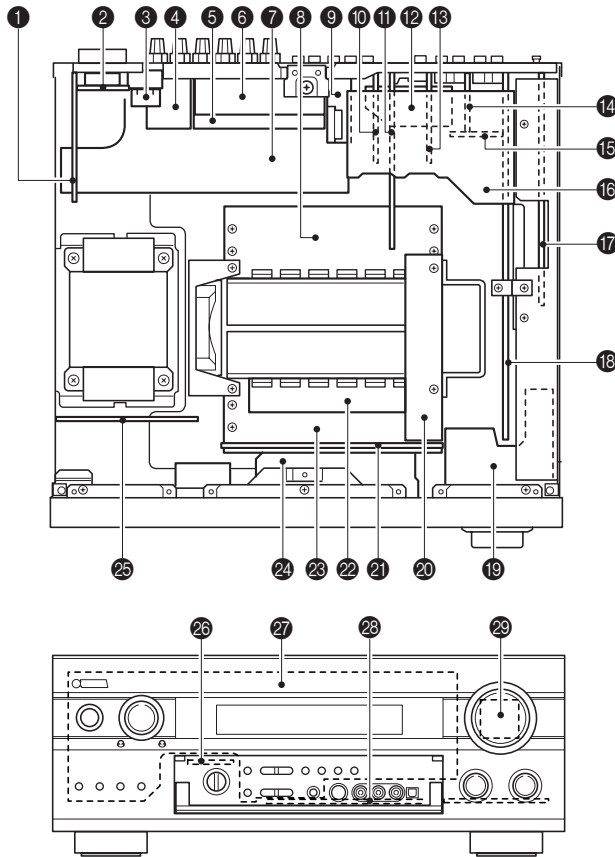
• The variable range of the parameter (Min/Max/Step) / パラメーターの可変範囲 (最小/最大/ステップ)

Parameter name	Pro Logic	Pro Logic II Movie	Pro Logic II Music	Neo:6	2ch	DD/dts/AAC	6.1/ES	Unit
DSP LEVEL	-	-	-	-	-6/3/1	-6/3/1	-6/3/1	dB
(P.) INIT. DLY	-	-	-	-	1/99/1	1/99/1	1/99/1	ms
(P.) ROOM SIZE	-	-	-	-	0.1/2.0/0.1	0.1/2.0/0.1	0.1/2.0/0.1	-
(P.) LIVENESS	-	-	-	-	0/10/1	0/10/1	0/10/1	-
S. DELAY	10/25/1	10/25/1	0/15/1	0/30/1	0/49/1	0/49/1	0/49/1	ms
S. INIT. DLY	-	-	-	-	-	1/49/1	1/49/1	ms
S. ROOM. SIZE	-	-	-	-	0.1/2.0/0.1	0.1/2.0/0.1	0.1/2.0/0.1	-
S. LIVENESS	-	-	-	-	0/10/1	0/10/1	0/10/1	-
RC. INT.DLY	-	-	-	-	-	-	1/49/1	ms
RC. ROOM, SIZE	-	-	-	-	-	-	0.1/2.0/0.1	-
RC. LIVENESS	-	-	-	-	-	-	0/10/1	-
REV. TIME	-	-	-	-	1.0/5.0/0.1	1.0/5.0/0.1	1.0/5.0/0.1	s
REV. DELAY	-	-	-	-	0/250/1	0/250/1	0/250/1	ms
REV. LEVEL	-	-	-	-	0/100/1	0/100/1	0/100/1	%
Panorama	-	OFF	OFF/ON	-	-	-	-	-
Dimension	-	0 (STD)	-3/+3/1	-	-	-	-	-
C Width	-	0	0/7/1	-	-	-	-	-
C Image	-	-	-	0/0.5/0.1	-	-	-	-

6ch Stereo Parameter		Unit
CT. LEVEL	0/100/1	%
RL. LEVEL	0/100/1	%
RC. LEVEL	0/100/1	%
RR. LEVEL	0/100/1	%

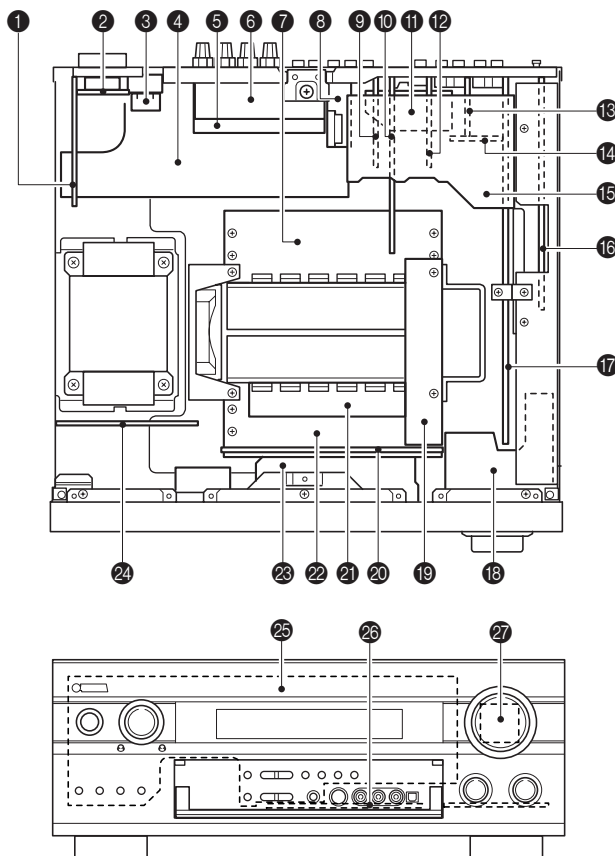
## INTERNAL VIEW

### RX-V2300/DSP-AX2300



- 1 POWER (5) P.C.B.
- 2 POWER (4) P.C.B. (R, T models only)
- 3 POWER (6) P.C.B. (U, C, J models only)
- 4 MAIN (5) P.C.B.
- 5 MAIN (4) P.C.B.
- 6 OPERATION (4) P.C.B.
- 7 MAIN (3) P.C.B.
- 8 MAIN (1) P.C.B.
- 9 TUNER
- 10 VIDEO (4) P.C.B.
- 11 VIDEO (1) P.C.B.
- 12 VIDEO (8) P.C.B.
- 13 VIDEO (2) P.C.B.
- 14 VIDEO (6) P.C.B.
- 15 VIDEO (7) P.C.B.
- 16 VIDEO (5) P.C.B.
- 17 DSP P.C.B.
- 18 FUNCTION P.C.B.
- 19 OPERATION (2) P.C.B.
- 20 MAIN (6) P.C.B.
- 21 POWER (1) P.C.B.
- 22 POWER (3) P.C.B.
- 23 MAIN (2) P.C.B.
- 24 OPERATION (3) P.C.B.
- 25 POWER (2) P.C.B.
- 26 OPERATION (6) P.C.B.
- 27 OPERATION (1) P.C.B.
- 28 OPERATION (3) P.C.B.
- 29 OPERATION (5) P.C.B.

### RX-V1300/RX-V1300RDS/HTR-5590/DSP-AX1300



- 1 POWER (5) P.C.B.
- 2 POWER (4) P.C.B. (R, T models only)
- 3 POWER (6) P.C.B. (U, C, J models only)
- 4 MAIN (4) P.C.B.
- 5 OPERATION (4) P.C.B.
- 6 MAIN (3) P.C.B.
- 7 MAIN (1) P.C.B.
- 8 TUNER
- 9 VIDEO (4) P.C.B.
- 10 VIDEO (1) P.C.B.
- 11 VIDEO (8) P.C.B.
- 12 VIDEO (2) P.C.B.
- 13 VIDEO (6) P.C.B.
- 14 VIDEO (7) P.C.B.
- 15 VIDEO (5) P.C.B.
- 16 DSP P.C.B.
- 17 FUNCTION P.C.B.
- 18 OPERATION (2) P.C.B.
- 19 MAIN (6) P.C.B.
- 20 POWER (1) P.C.B.
- 21 POWER (3) P.C.B.
- 22 MAIN (2) P.C.B.
- 23 OPERATION (3) P.C.B.
- 24 POWER (2) P.C.B.
- 25 OPERATION (1) P.C.B.
- 26 OPERATION (3) P.C.B.
- 27 OPERATION (5) P.C.B.

## ■ DISASSEMBLY PROCEDURE / 分解手順

(Remove parts in the order as numbered.)

Disconnect the power cable from the AC outlet.

(番号順に部品を取り外してください。)

AC電源コンセントから、電源コードを抜いてください。

### 1. Removal of Top Cover

- a. Remove 2 screws (①), 4 screws (②) and 5 screws (③). (Fig. 1)
- b. Slide the Top Cover rearward to remove it. (Fig. 1)

### 1. トップカバーの外し方

- a. ①のネジ2本、②のネジ4本、③のネジ5本を外します。(Fig. 1)
- b. トップカバーを後方へスライドさせ、取り外します。(Fig. 1)

### 2. Removal of Front Panel

- a. Remove the BASS and TREBLE knobs (④). (Fig. 1)
- b. Remove 6 screws (⑤) and then remove the Front Panel forward. (Fig. 1)

### 2. フロントパネルの外し方

- a. ④のBASSツマミ、TREBLEツマミを外します。(Fig. 1)
- b. ⑤のネジ6本を外し、フロントパネルを前方に外します。(Fig. 1)

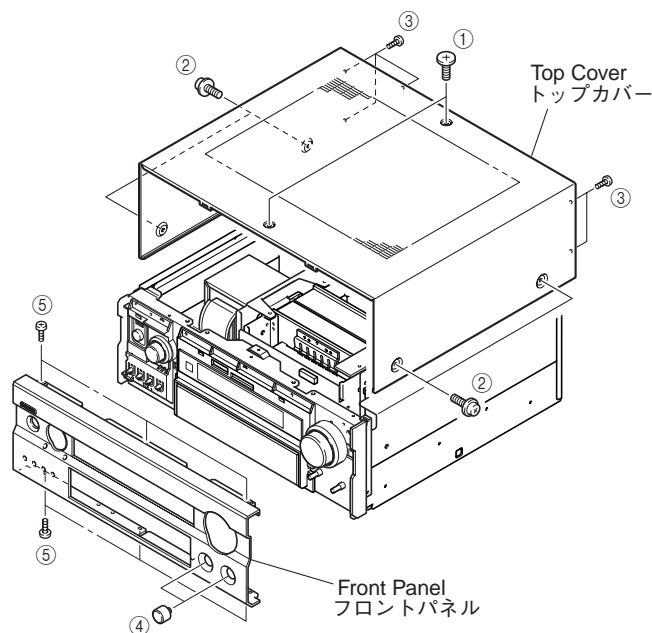


Fig. 1

### 3. Removal of Sub Chassis

- a. Remove 4 push rivets (⑥) and then remove the Side Plates. (Fig. 2)
- b. Remove 2 screws (⑦) and 2 screws (⑧). (Fig. 2)
- c. Remove CB202, CB509, CB801, CB981, CB982 and CB983. (Fig. 3)
- d. Remove the Sub Chassis forward. (Fig. 2)

### 3. サブシャーシの外し方

- a. ⑥のプッシュリベット4本を外し、サイドプレートを取り外します。(Fig. 2)
- b. ⑦のネジ2本、⑧のネジ2本を外します。(Fig. 2)
- c. CB202、CB509、CB801、CB981～983を外します。(Fig. 3)
- d. サブシャーシを前方に取り外します。(Fig. 2)

### 4. Removal of DSP P.C.B.

- a. Remove 2 screws (⑨) and then remove the Supports. (Fig. 2)
- b. Remove 4 screws (⑩) and then remove the Bracket. (Fig. 2)
- c. Remove 3 screws (⑪). (Fig. 2)
- d. Remove 7 screw (⑫). (Fig. 4)
- e. Remove CB502 and CB503. (Fig. 3)
- f. Remove the DSP P.C.B. upward. (Fig. 2)

### 4. DSP P.C.B.の外し方

- a. ⑨のネジ2本を外し、サポートを取り外します。(Fig. 2)
- b. ⑩のネジ4本を外し、ブラケットを取り外します。(Fig. 2)
- c. ⑪のネジ3本を外します。(Fig. 2)
- d. ⑫のネジ7本を外します。(Fig. 4)
- e. CB502、CB503を外します。(Fig. 3)
- f. DSP P.C.B.を上方に取り外します。(Fig. 2)

### 5. Removal of VIDEO (5) P.C.B.

- a. Remove 2 screws (⑬). (Fig. 2)
- b. Remove the VIDEO (5) P.C.B. which is connected directly to the lower P.C.B. with connectors. (Fig. 2)

### 5. VIDEO (5) P.C.B.の外し方

- a. ⑬のネジ2本を外します。(Fig. 2)
- b. VIDEO (5) P.C.B.を取り外します。下方のP.C.B.と直接コネクター接続されています。(Fig. 2)

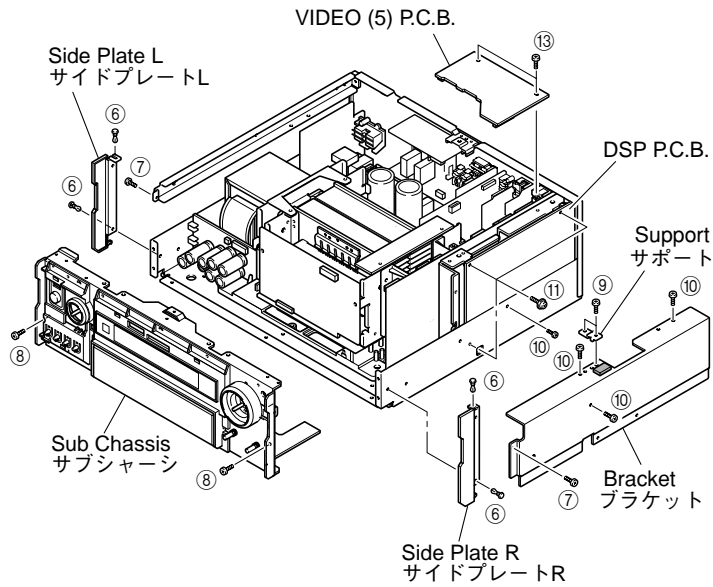


Fig. 2

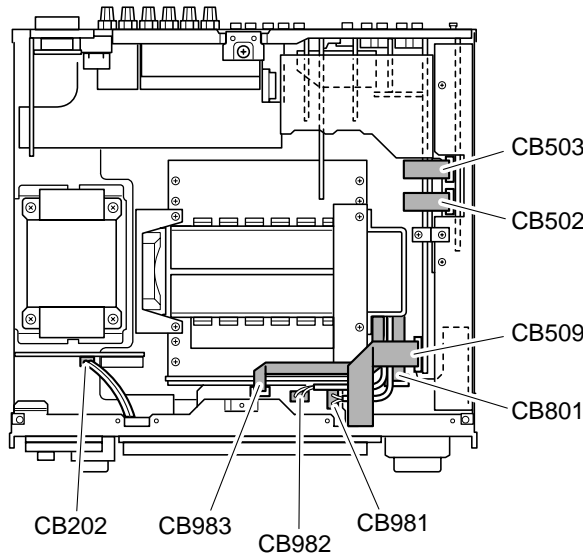


Fig. 3

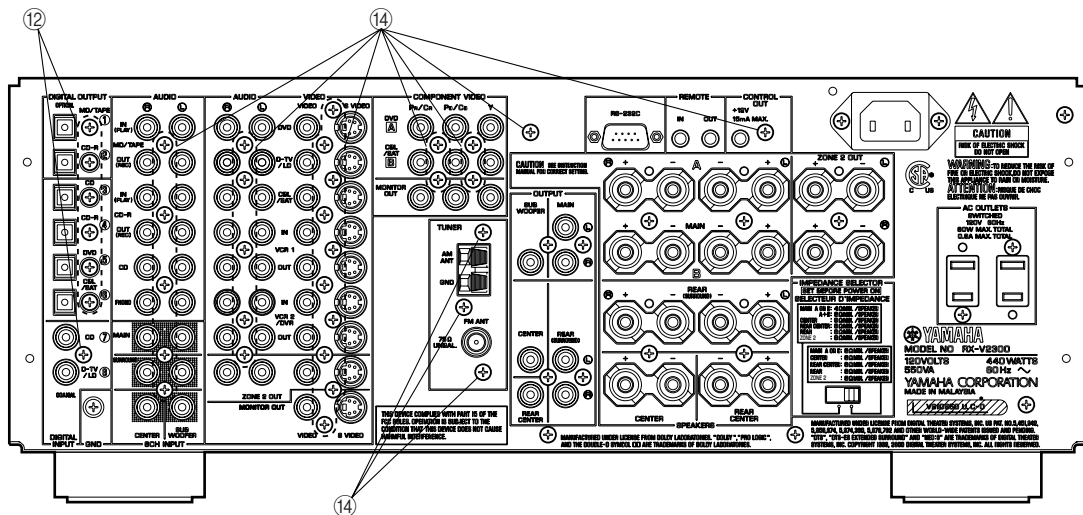


Fig. 4

RX-V1300/RX-V1300RDS/HTR-5590/DSP-AX1300  
 RX-V2300/DSP-AX2300

**6. Removal of VIDEO (1), (2), (4) ~ (7), FUNCTION, OPERATION (4) P.C.B.s and Tuner**

- a. Remove 29 screws (14). (Fig. 4)
- b. Remove VIDEO (1), (2), (4) ~ (7), FUNCTION, OPERATION (4) P.C.B.s and Tuner. (Fig. 5)

**When checking the P.C.B.:**

- Put the rubber sheet and a cloth over the equipment. Then place the P.C.B. upside down on the cloth and check it. (Fig. 5)
- Reconnect all cables (connectors) that have been disconnected.
- When connecting the flat cable, use care for the polarity.
- The P.C.B. removed from the rear panel does not work because its grounding is loose. Be sure to connect the ground of each P.C.B. to the chassis or GND with a jumper wire or the like.

**6. VIDEO (1)、(2)、(4)～(7)、FUNCTION、OPERATION (4) P.C.B.、チューナーの外し方**

- a. 14のネジ29本を外します。(Fig. 4)
- b. VIDEO (1)、(2)、(4)～(7)、FUNCTION、OPERATION (4) P.C.B.、チューナーを取り外します。(Fig. 5)

**P.C.B.チェックをする場合には**

- 本機の上にゴムシートと布を敷き、その上にP.C.B.を裏返しに置いてチェックします。(Fig. 5)
- 外したケーブル(コネクタ)をすべて接続してください。
- フラットケーブルを接続する際、極性に注意してください。
- リアパネルから外したP.C.B.はアースが浮いて動作しませんので、各P.C.B.のアースをリード線等でシャーシまたはGNDに接続してください。

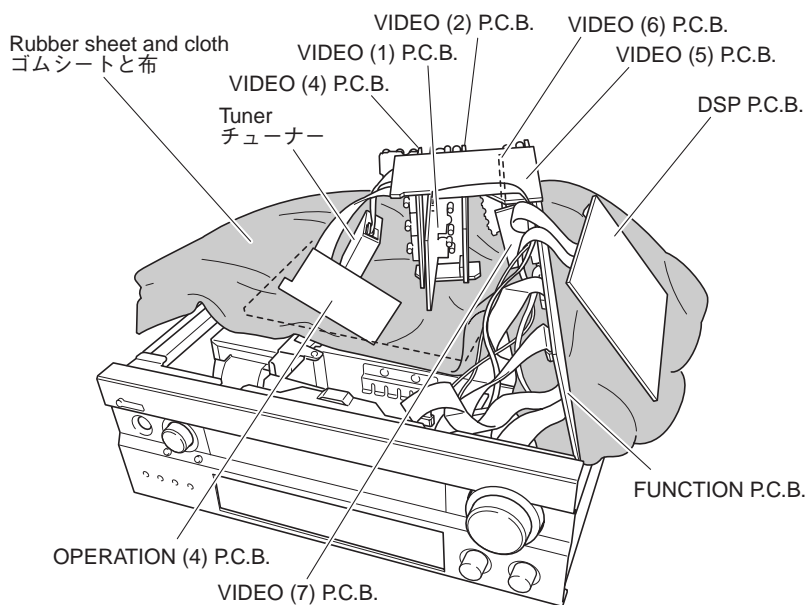


Fig. 5



## 7. Removal of Fan

- a. Remove 2 screws (15) and 2 screws (16). (Fig. 6)
- b. Remove the fan together with the frame by lifting them up. (Fig. 6)

## 8. Removal of MAIN (1), MAIN (2), POWER (1) and POWER (3) P.C.B.'s.

- a. Remove 2 screws (17) and then remove MAIN (6) P.C.B.. (Fig. 6)
- b. Remove 2 push rivets (18) and then remove the Duct. (Fig. 6)
- c. Remove 4 screws (19). (Fig. 6)
- d. Remove MAIN (1) P.C.B. together with the heat sink by lifting them up. (Fig. 7)
- e. Remove 4 screws (20). (Fig. 6)
- f. Remove MAIN (2), POWER (1) and POWER (3) P.C.B.'s together with the heat sink. (Fig. 6)

## 7. ファンの外し方

- a. 15のネジ2本、16のネジ2本を外します。(Fig. 6)
- b. ファンをフレームといっしょに上方に取り外します。(Fig. 6)

## 8. MAIN (1)、MAIN (2)、POWER (1)、POWER (3) P.C.B.の外し方

- a. 17のネジ2本を外し、MAIN (6) P.C.B.を取り外します。(Fig. 6)
- b. 18のプッシュリベット2本を外し、ダクトを外します。(Fig. 6)
- c. 19のネジ4本を外します。(Fig. 6)
- d. MAIN (1) P.C.B.を、ヒートシンクといっしょに上方に取り外します。(Fig. 6)
- e. 20のネジ4本を外します。(Fig. 6)
- f. MAIN (2)、POWER (1)、POWER (3) P.C.B.を、ヒートシンクといっしょに上方に取り外します。(Fig. 6)

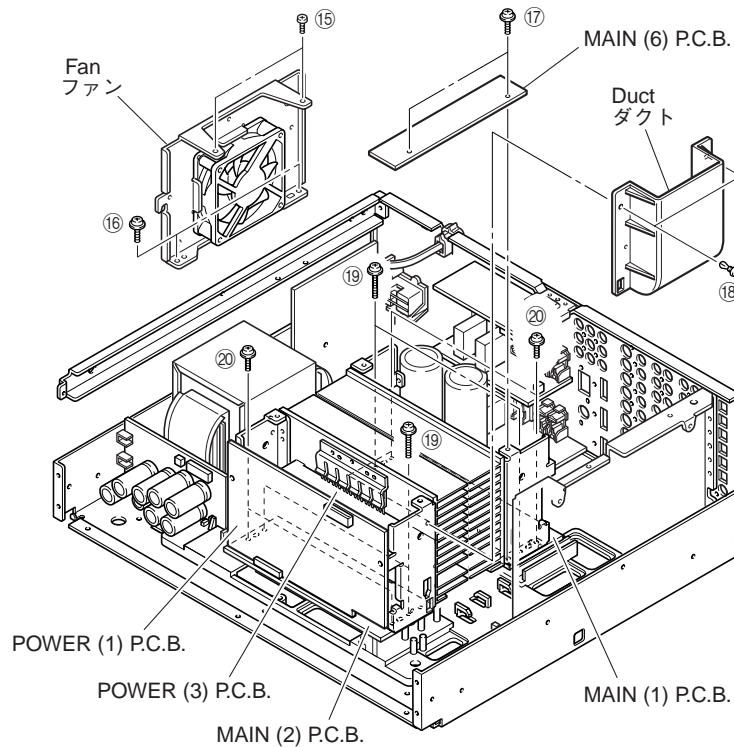


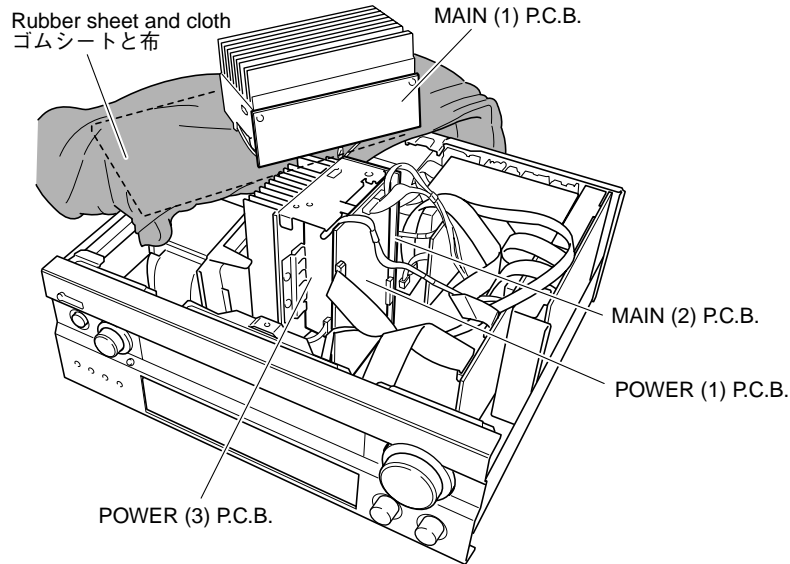
Fig. 6

**When checking the P.C.B.:**

- Put the rubber sheet and a cloth over the equipment. Then place the MAIN (1) P.C.B. together with the heat sink on the cloth and check it. (Fig. 7)
- Put the MAIN (2), POWER (1) and POWER (3) P.C.B.'s together with the heat sink upright on the art base and check them.
- Reconnect all cables (connectors) that have been disconnected.
- When connecting the flat cable, use care for the polarity.

**P.C.B.チェックをする場合には**

- MAIN (1) P.C.B.はヒートシンクといっしょに、本機の上にゴムシートと布を敷き、その上に置いてチェックします。(Fig. 7)
- MAIN (2)、POWER (1)、POWER (3) P.C.B.はヒートシンクといっしょに、アートベースの上に立ててチェックします。(Fig. 7)
- 外したケーブル(コネクタ)をすべて接続してください。
- フラットケーブルを接続する際、極性に注意してください。



**Fig. 7**

## ■ SELF DIAGNOSIS FUNCTION (DIAG) / 自己診断機能 (ダイアグ)

There are 18 DIAG menu items, each of which has sub-menu items. Listed in the table below are menu items and sub-menu items. (Some diagnostic functions do not apply to all models or to all markets.)

本機には、検査、測定、不良個所の発見を目的にした自己診断機能(ダイアグ)があります。ダイアグメニューは18個あり、そのそれぞれにサブメニューがあります(ダイアグのメニュー操作は本体+付属リモコンで行います。) 下表はメニュー一覧です。

No	DIAG menu	sub-menu
1	YSS938 1. ANALOG BYPASS	1. ANALOG BYPASS
		2. YSS 0dB
		3. YSS FULL BIT
		4. DSP BYPASS
2	YSS-SD 2. YSS-SD 0dB	1. YSS-SD 0dB
		2. YSS-SD FULL BIT
3	SD-YSS 3. SD-YSS 0dB	1. SD-YSS 0dB (Applicable to RX-V2300 and RX-V1300 / RX-V2300およびRX-V1300に適用)
		2. SD-YSS FULL BIT (Applicable to RX-V2300 and RX-V1300 / RX-V2300およびRX-V1300に適用)
4	SECOND DECODER 4. SD 0dB	1. SD 0dB
		2. SD FULL BIT
5	HP ROUTE 5. HP 0dB	1. HP 0dB
		2. HP FULL BIT
6	RAM THROUGH 6. RAM 0dB	1. RAM 0dB
		2. MAIN ATT
7	PRO LOGIC / NEO6 7. PRO LOGIC I	1. PRO LOGIC I
		2. PRO LOGIC II
		3. NEO: 6
8	SPEAKER SET 8. MAIN: SML 0dB	1. MAIN: SMALL 0dB
		2. MAIN: LARGE -10dB
		3. CENTER: NONE
		4. LFE/BASS: MAIN
		5. FRONT MIX: 5ch
		6. REAR CT: MUTE
		7. REAR L/R: MUTE
9	EFFECT OFF/ DISPLAY CHECK 9. VFD CHECK	1. VFD CHECK (Initial display / 初期表示)
		2. VFD DISP OFF (All segments OFF / 全セグメント消灯)
		3. VFD DISP ALL (All segments ON 100% / 全セグメント点灯100%)
		4. VFD DIMMER (All segments ON 50% / 全セグメント点灯50%)
		5. CHECKED PATTERN (ON in lattice / 格子状点灯)
10	MANUAL TEST 10 TEST ALL	1. TEST ALL
		2. TEST MAIN L
		3. TEST CENTER
		4. TEST MAIN R
		5. TEST REAR R
		6. TEST REAR CENTER
		7. TEST REAR L
		8. TEST LFE
11	RS-232C 11 TxRxData: XX	1. TX DATA
		2. HARD FLOW
12	FACTORY PRESET 12 PRESET INHI	1. PRESET INHIBIT (memory initialization inhibited / メモリーの初期化禁止)
		2. PRESET RESERVED (memory initialized / メモリーの初期化)
13	AD DATA CHECK /FAN TEST DC:007 PS:025	1. DC/PS (protection)
		2. THM/FAN OUT
		3. REC-OUT
		4. IMP SW/POWER LIMIT
		5. K0/K1 (panel key)
		6. FAN DRIVE TEST: HIGH (Fan test only applies to models with a fan. / ファン装備モデルに適用)
		7. FAN DRIVE TEST: MID (Fan test only applies to models with a fan. / ファン装備モデルに適用)
		8. FAN DRIVE TEST: LOW (Fan test only applies to models with a fan. / ファン装備モデルに適用)

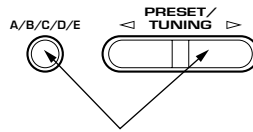
No	DIAG menu	sub-menu
14	IF STATUS <input type="text" value="IS1:440308C000"/>	1. IS 1 (5 Byte)
		2. IS 2 (4 Byte)
		3. CS 1 (5 Byte)
		4. CS 2 (5 Byte)
		5. CS 3 (5 Byte)
		6. CS 4 (4 Byte)
		7. CS 5 (5 Byte)
		8. BY1 (5 Byte)
		9. BY2 (5 Byte)
		10. BY3 (5 Byte)
		11. BY4 (4 Byte)
		12. BS1 (5 Byte)
		13. BS2 (5 Byte)
		14. BS3 (5 Byte)
		15. BS4 (CS:5 or FJ:4 Byte)
		16. BS5 (CS:1 or FJ:0 Byte)
		17. YS1 (5 Byte)
		18. YS2 (5 Byte)
		19. YS3 (4 Byte)
		20. SD (CS:3 or FJ:4 Byte)
		21. MTT (5 Byte)
15	DSP RAM CHECK	1. YSS938 BUS CHECK
		2. SECOND DECODER BUS CHECK
16	SD DL CODE <input type="text" value="YSS BUS:NoEr"/> <input type="text" value="RDW:X"/>	1. ROM DATA VERSION
		2. TOC AREA 0 (4 Byte)
		3. TOC AREA 1 (4 Byte)
		4. TOC AREA 2 (4 Byte)
		5. TOC AREA 3 (4 Byte)
		6. TOC AREA 4 (4 Byte)
		7. TOC AREA 5 (4 Byte)
		8. SUM CHECK AREA 0 (4 Byte)
		9. SUM CHECK AREA 1 (4 Byte)
		10. SUM CHECK AREA 2 (4 Byte)
		11. SUM CHECK AREA 3 (4 Byte)
		12. SUM CHECK AREA 4 (4 Byte)
		13. SUM CHECK AREA 5 (4 Byte)
17	SOFT SW <input type="text" value="17.SW :PCB"/>	1. SW MODE
		2. MODEL SETTING
		3. TUNER DESTINATION
		4. TUNER EXIST
		5. RDS EXIST
		6. ZONE 2 EXIST
		7. VIDEO FORMAT
18	ROM VERSION/CHECK SUM/ PORT <input type="text" value="VER. XXXXXXXX"/>	1. VERSION
		2. SUM ALL/PROGRAM
		3. SUM 232C BOOT/MAKER BOOT
		4. PORT
		5. AAC PORT

RX-V2300/DSP-AX2300  
RX-V1300/RX-V1300RDS/HTR-5590/DSP-AX1300

## ● Starting DIAG

Press the “STANDBY/ON” key while simultaneously pressing those two keys of the main unit as indicated in the figure below.

Keys of main unit / 本体キー



Turn on the power while pressing these keys.  
これらのキーを同時に押しながら、パワーオンする。

## ● Starting DIAG in the protection cancel mode

If the protection function works and causes hindrance to trouble diagnosis, cancel the protection function as described below, and it will be possible to enter the DIAG mode. (The protection functions other than the excess current detect function will be disabled.)

Press the “STANDBY/ON” key while simultaneously pressing those two keys indicated in the figure above. At this time, keep pressing those two keys for 3 seconds or longer.

In this mode, the “SLEEP” segment of the FL display of the main unit flashes to indicate that the mode is DIAG mode with the protection functions disabled.

### CAUTION!

Using this product with the protection function disabled may cause damage to itself. Use special care for this point when using this mode.

## ● Canceling DIAG

[1] Before canceling DIAG, execute setting for PRESET of DIAG menu No.12 (Memory initialization inhibited or Memory initialized).

\* In order to keep the user memory stored, be sure to select PRESET INHIBIT (Memory initialization inhibited). Protection history will remain memory.

[2] Turn off the power by pressing the “STANDBY/ON” key of the main unit or the “STANDBY” key of the remote controller.

## ● ダイアグの起動

本体の下図に示すキーを同時に押しながら“STANDBY/ON”キーを押すと、ダイアグが起動します。

## ● プロテクション解除モードでの起動

プロテクションが動作することにより、故障箇所の診断に支障をきたすような場合は、次の方法によりプロテクションを解除した状態でダイアグモードに入ることができます。(過電流検出以外のプロテクション動作を解除する)

上図のキーを同時に押しながら“STANDBY/ON”キーを押します。このとき、上図のキーを3秒以上押し続けてください。

このモードでは本体FLの“SLEEP”セグメントが点滅し、プロテクションを解除した状態でのダイアグモードであることを知らせます。

### 注意！

プロテクションを解除した状態でのダイアグモードは、危険な状態でもプロテクションが作動しないため、動作させると、機器を破壊することがあります。このモードを使用する場合は十分注意してください。

## ● ダイアグの解除

① ダイアグを解除する前に、ダイアグメニューNo.12のFACTORY PRESET (メモリーの初期化禁止/またはメモリーの初期化)の設定をします。

※ ユーザーメモリーを保持したい場合は、必ずPRESET INHIBIT(メモリー初期化禁止)を選択してください。

② 本体の“STANDBY/ON”キーリモコンの“STANDBY”キーを押し、パワーオフにします。

## ● Display provided when DIAG started

When the monitor is connected, DIAGNOSTIC MENU appears on its screen as shown in the figure. (It remains on display until DIAG is cancelled.)

DIAGNOSTIC MENU	
1. DSP THR	10. MAN' LTEST
2. YSS-SD	11. RS232C
3. SD-YSS	12. PRESET
4. 2ND DEC	13. AD/FAN
5. HP ROUTE	14. STATUS
6. RAM THR	15. DSP RAM
7. PRO LOGIC	16. CS DL COD
8. SP SET	17. SOFT SW
9. VFD CHECK	18. VER/SUM/P

The FL display of the main unit displays the protection function history data and the version (1 alphabet) and the DIAG menu [sub-menu (ANALOG BYPASS) of DIAG menu No.1 YSS938] a few seconds later.

## ● ダイアグ起動時の表示

モニターを接続してある場合は、モニターの画面に図のようにダイアグメニューの一覧が表示されます。(ダイアグを解除するまで、この表示が保持されます)

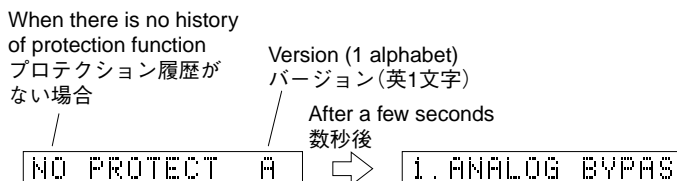
本体のFLディスプレイにプロテクション履歴情報とバージョン(英1文字)が表示され、数秒後にダイアグメニュー(No.1 YSS938のサブメニューANALOG BYPASS)になります。

### When there is no history of protection function:

Opening message /  
オープニング表示

### プロテクション履歴がない場合:

DIAG menu display /  
ダイアグメニュー表示



### When there is a history of protection function:

When there is a history of protection function due to excess current  
過電流によるプロテクション履歴がある場合

### プロテクション履歴がある場合:

Version (1 alphabet)  
バージョン(英1文字)

I PROTECT A

**Cause:** An excessive current flowed through the power amplifier.

Turning on the power without correcting the abnormality will cause the protection function to work immediately and the power supply will instantly be shut off.

原因：パワーアンプに過電流が流れた。

補足：パワートランジスタの電流を検出していますので、電流検出トランジスタをチェックすれば異常チャンネルが特定できます。

異常状態のままパワーオンすると、瞬時にプロテクションがかかり、すぐに電源が切れます。

#### Note)

- Applying the power to a unit without correcting the abnormality can be dangerous and cause additional circuit damage.
- The output transistors in each amplifier channel should be checked for damage before applying any power.
- Amplifier current should be monitored by measuring across the emitter resistors for each channel.

When there is a history of protection function due to abnormal voltage in the power supply section  
電源部の電圧異常によるプロテクション履歴がある場合 \

Version (1 alphabet)  
バージョン(英1文字)

PS PRT:000 A

Voltage display in %  
電圧の%表示

**Cause:** The voltage in the power supply section is abnormal.

**Supplementary information:** The abnormal voltage is displayed in % based on 5V as 100%.

Turning on the power without correcting the abnormality will cause the protection function to work 1 second later and the power supply will be shut off.

原因：電源部の電圧が異常。

補足：異常時の電圧の状態を、5Vを100%とした値で%表示します。

異常状態のままパワーオンすると、1秒後にプロテクションがかかり、電源が切れます。

When there is a history of protection function due to abnormal DC output  
DC出力異常によるプロテクション履歴がある場合 \

Version (1 alphabet)  
バージョン(英1文字)

DC PRT:000 A

**Cause:** DC output of the power amplifier is abnormal.

**Supplementary information:** The abnormal voltage is displayed in % based on 5V as 100%.

Turning on the power without correcting the abnormality will cause the protection function to work 3 seconds later and the power supply will be shut off.

原因：パワーアンプのDC出力が異常。

補足：異常時の電圧の状態を、5Vを100%とした値で%表示します。

異常状態のままパワーオンすると、3秒後にプロテクションがかかり、電源が切れます。

When there is a history of protection function due to excessive heat sink temperature  
放熱器の異常温度によるプロテクション履歴がある場合 \

Version (1 alphabet)  
バージョン(英1文字)

TMP PRT:000 A

Voltage display in %  
電圧の%表示

**Cause:** The temperature of the heat sink is excessive.

**Supplementary information:** The abnormal voltage is displayed in % based on 5V as 500%.

Turning on the power without correcting the abnormality will cause the protection function to work 1 second later and the power supply will be shut off.

\* Additional causes of protection can be due to loose connections, associated components, CPU, etc.

\* For the protection voltage value, refer to DIAG menu No.13 described later.

原因：放熱器の温度が異常。

補足：異常時の電圧の状態を、5Vを500%とした値で%表示します。

異常状態のままパワーオンすると、1秒後にプロテクションがかかり、電源が切れます。

※ 前記の異常原因の他に、コネクタのはずれやCPU周辺などに原因があります。

※ プロテクションの電圧値に関しては、後述のダイアグラムニューNo.13を参照してください。

### ● History of protection function

When the protection function has worked, its history is stored in memory with a backup. Even if no abnormality is noted while servicing the unit, an abnormality which has occurred previously can be defined as long as the backup data has been stored.

The history of the protection function is cleared when DIAG is cancelled by selecting PRESET RESERVED (Memory initialized) of DIAG menu No. 9 or when the backup data is erased.

### ● プロテクションの履歴

プロテクションが働いた場合、履歴をバックアップして記憶しています。サービスのときに異常が認められなくても、バックアップが残っていれば、お客様のところで起きた異常を区別できます。

プロテクションの履歴は、ダイアグメニューNo.9で PRESET RESERVED (メモリーの初期化)を選んでダイアグを解除した場合や、バックアップが消えたときにはクリアされます。

### ● Display during menu operation

During the DIAG operation, the menu list described in the section of the startup screen appears on the superimposed screen and the function at work is indicated on the FL indicator. The contents displayed during the function operation are described in the later section on details of functions.

### ● メニュー動作中の表示

ダイアグ中、モニター画面には起動画面の項で説明したメニュー一覧が表示されます。本体のFLディスプレイには動作中の機能が表示されます。機能動作中の表示内容については、後述の機能詳細で記述します。

### ● Operation procedure of DIAG menu and SUB-MENU

There are 18 MENU items, each of which has some SUB-MENU items.

#### DIAG menu selection

Main unit: Select the menu using ▷ (Forward) and ◁ (Reverse) keys of PRESET/TUNING.

Remote control [RX-V2300]: Set the select switch to the PARAMETER side and select the DIAG menu using ▽ (Forward) and ▲ (Reverse) keys.

Remote control [RX-V1300/RX-V1300RDS/HTR-5590]: Select the menu using ∨ (Forward) and ∧ (Reverse) keys.

#### SUB-MENU selection

Main unit: Select the sub-menu using ▷ (Forward) and ◁ (Reverse) keys of PROGRAM.

Remote control [RX-V2300]: Select the sub-menu using + (Forward) and - (Reverse) keys.

Remote control [RX-V1300/RX-V1300RDS/HTR-5590]: Select the sub-menu using > (Forward) and < (Reverse) keys.

### ● ダイアグメニューとサブメニューの操作

ダイアグにはNo.1～18のメニューがあり、そのそれぞれにサブメニューがあります。

#### ダイアグメニューの選択

本体キーでの操作： PRESET/TUNING ▷ (順送り), ◁ (逆送り)キーで選択します。

リモコンでの操作 [DSP-AX2300]：セレクトスイッチを PARAMETER側にした状態で、▽ (順送り), ▲ (逆送り)キーで選択します。

リモコンでの操作 [DSP-AX1300]：∨ (順送り), ∧ (逆送り)キーで選択します。

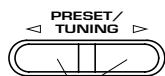
#### サブメニューの選択

本体キーでの操作： PROGRAM ▷ (順送り), ◁ (逆送り)キーで選択します。

リモコンでの操作 [DSP-AX2300]：+ (順送り), - (逆送り)キーで選択します。

リモコンでの操作 [DSP-AX1300]：> (順送り), < (逆送り)キーで選択します。

### Keys of main unit / 本体キー



DIAG menu selection  
ダイアグメニューの選択

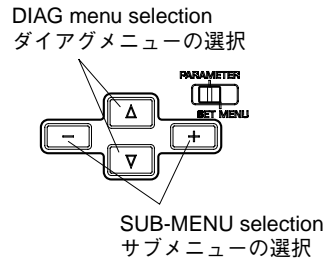


SUB-MENU selection  
サブメニューの選択

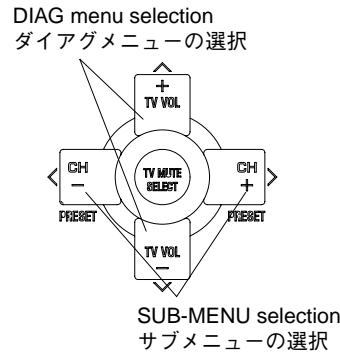


## Keys of remote control / リモコンキー

RX-V2300/DSP-AX2300



RX-V1300/RX-V1300RDS/HTR-5590/DSP-AX1300



### ● Functions in DIAG mode

In addition to the DIAG menu items, functions as listed below are available.

- Input selection, 6CH input
- Center/Rear/Rear Center/Sub-woofer level adjustment
- Muting
- Speaker relay A/B
- Power on/off
- Master volume

\* Functions related to the tuner and the set menu are not available.

\* It is possible to confirm Menu No.14 IF STATUS while keeping the signal process (operation status) of each DIAG menu by using the input mode key of the main unit.

### ● Initial settings used to start DIAG

The following initial settings are used when starting DIAG. When DIAG is canceled, these settings are restored to those before starting DIAG.

- Master volume: -40dB
- Input: DVD (6CH INPUT OFF)
- Effect level: 0dB
- Audio mute: OFF
- Speaker relay A/B: ON
- Speaker setting: LARGE / BASS OUT = BOTH
- DIAG menu: YSS938 (1. ANALOG BYPASS)

### ● ダイアグ中の機能

ダイアグメニューの他に、以下の機能が動作します。

- インプット切り換え、6CHインプット
- センター、リア、リアセンター、サブウーファーレベル調整
- ミューティング
- スピーカーリレーA/B
- パワーオン/オフ
- マスターボリューム

※ チューナー関連、セットメニュー関連は機能しません。

※ 本体のINPUT MODEキーにより、各ダイアグメニューの信号処理(動作状態)を維持したままメニューNo.14 “IF STATUS”の確認ができます。

### ● ダイアグ開始時の初期設定

ダイアグ開始時に以下のような設定になります。ダイアグ解除時にはダイアグ開始前の状態に戻ります。

- マスターボリューム: -40dB
- インプット: DVD (6CH INPUT オフ)
- エフェクトレベル: 0dB
- オーディオミュート: オフ
- スピーカーリレーA/B: オン
- スピーカー設定: LARGE / BASS OUT=BOTH
- ダイアグメニュー: YSS938 (1. ANALOG BYPASS)

## ● Details of DIAG menu

With full-bit output specified in some modes, it is possible to execute 0dBFS output without head margin in each channel.

### 1. YSS938

This function is for YSS938 only. Main DSP of YSS938 is selected for MAIN L/R output.

Using the sub-menu, it is possible to select the analog bypass, 0dB output level or full-bit output.

#### ANALOG BYPASS

- The signal is output through the signal path as shown below.
- The signal for L/R is output as it is without passing through the DSP section.

### 1. ANALOG BYPASS

Reference data

INPUT: DVD ANALOG

SUBWOOFER: 50Hz, Others: 1kHz

Input level	Volume	PRE OUTPUT				
		MAIN L/R	CENTER	REAR CENTER	REAR L/R	SUBWOOFER
Both ch, -20 dBV	-10 dB	-4.5 dBV	-6.7 dBV	-7.0 dBV	-6.5 dBV	+0.5 dBV

#### YSS 0dB

- The signal is output including the head margin.  
 Head margin:  
 Main L/R: 0dBFS, Center: -6dBFS, Rear Center: -3dBFS, FL/FR: -6dBFS, RL/RR: -12dBFS, SWFR: Add L/R signal at -20dBFS.

### 1. YSS 0dB

Reference data

INPUT: DVD ANALOG

SUBWOOFER: 50Hz, Others: 1kHz

Input level	Volume	PRE OUTPUT				
		MAIN L/R	CENTER	REAR CENTER	REAR L/R	SUBWOOFER
Both ch, -20 dBV	-10 dB	-6.2 dBV	-6.7 dBV	-7.0 dBV	-6.5 dBV	+0.5 dBV

## ● ダイアグメニュー詳細

一部のモードでフルビット指定することで、各チャンネルのヘッドマージンを廃して0dBFS出力することが可能です。

### 1. YSS938

YSS938のみの動作です。MAIN L/R出力にはYSS938のMain DSPが選択されます。

サブメニューによりアナログバイパス、出力レベル0dB、フルビット出力が選択可能です。

#### ANALOG BYPASS

- 下図信号経路で出力されます。
- L/Rは、DSP部を通らずにそのまま出力されます。

#### YSS 0dB

- ヘッドマージンを含んで出力されます。  
 ヘッドマージン:  
 Main L/R: 0dBFS、Center: -6dBFS、Rear Center: -3dBFS、FL/FR: -6dBFS、RL/RR: -12dBFS、SWFR: L/Rを-20dBfsにて加算

**YSS FULL BIT**

- The signal is output in digital full bit without including the head margin.
- The SWFR signal is output but not in digital full bit.

**YSS FULL BIT**

- ヘッドマージンを含まず、デジタルフルビットで出力されます。
- SWFRは出力されますが、デジタルフルビットではありません。

**1. YSS FULL BIT**

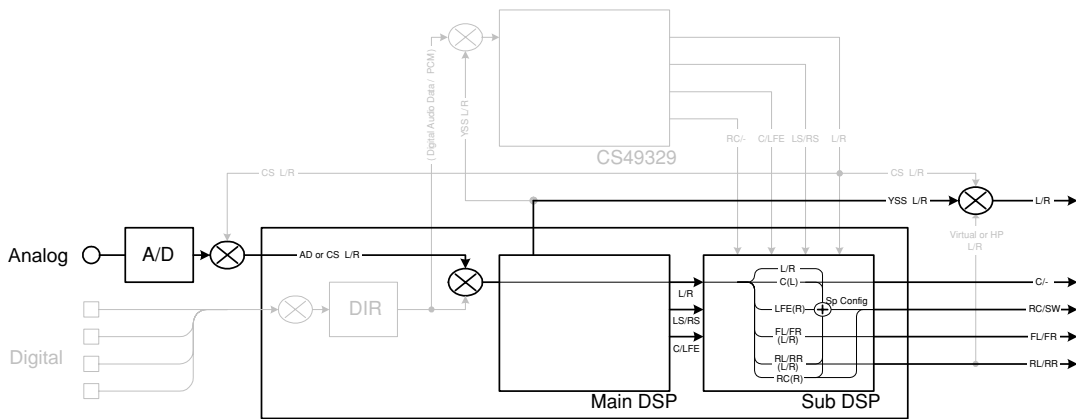
Reference data

INPUT: DVD ANALOG

SUBWOOFER: 50Hz, Others: 1kHz

Input level	Volume	PRE OUTPUT				
		MAIN L/R	CENTER	REAR CENTER	REAR L/R	SUBWOOFER
Both ch, -20 dBV	-10 dB	-6.2 dBV	-0.7 dBV	-1.0 dBV	+5.3 dBV	+0.5 dBV

DSP THROUGH ~  
YSS (Analog)



(Shaded items not used in this example)

**DSP BYPASS**

**DSP BYPASS**

**1. DSP BYPASS**

Reference data

INPUT: DVD ANALOG

SUBWOOFER: 50Hz, Others: 1kHz

Input level	Volume	PRE OUTPUT				
		MAIN L/R	CENTER	REAR CENTER	REAR L/R	SUBWOOFER
Both ch, -20 dBV	-10 dB	-∞	-∞	-∞	-∞	-∞

RX-V2300/DSP-AX2300  
RX-V1300/RX-V1300RDS/HTR-5590/DSP-AX1300

## 2. YSS-SD

8 channels are made usable by CS49329. The signal enters YSS938 through the Sub DSP passage and then undergoes through-output.

CS49329 is selected for the Main L/R output. Using the sub-menu, it is possible to select full bit output at 0dB output level.

## 2. YSS-SD

CS49329により8ch化されます。Sub DSP経路によりYSS938に入力されスルー出力されます。

Main L/R出力にはCS49329が選択されます。サブメニューにより出力レベル0dB、フルビット出力が選択可能です。

### YSS-SD 0dB

### YSS-SD 0dB

2. YSS-SD 0dB

Reference data

INPUT: DVD ANALOG

SUBWOOFER: 50Hz, Others: 1kHz

Input level	Volume	PRE OUTPUT				
		MAIN L/R	CENTER	REAR CENTER	REAR L/R	SUBWOOFER
Both ch, -20 dBV	-10 dB	-6.2 dBV	-6.7 dBV	-7.0 dBV	-6.5 dBV	+0.5 dBV

### YSS-SD FULL BIT

- The signal is output in digital full bit without including the head margin.
- The SWFR signal is output but not in digital full bit.

### YSS-SD FULL BIT

- ヘッドマージンを含まず、フルビットで出力されます。
- SWFRは出力されますが、デジタルフルビットではありません。

2. YSS-SD F BIT

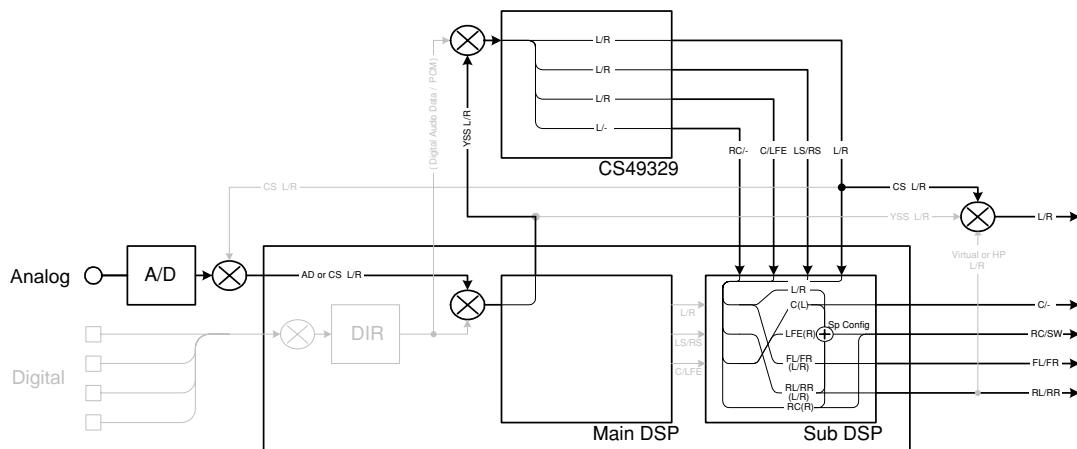
Reference data

INPUT: DVD ANALOG

SUBWOOFER: 50Hz, Others: 1kHz

Input level	Volume	PRE OUTPUT				
		MAIN L/R	CENTER	REAR CENTER	REAR L/R	SUBWOOFER
Both ch, -20 dBV	-10 dB	-6.2 dBV	-0.7 dBV	-1.0 dBV	+5.3 dBV	+0.5 dBV

### DSP THROUGH ~ YSS-SD (Analog)



(Shaded items not used in this example)

### 3. SD-YSS

8 channels are made usable by CS49329. The signal enters YSS938 through the Sub DSP passage and then undergoes through-output.

YSS938 Main DSP is selected for the Main L/R output. Using the sub-menu, it is possible to select full bit output at 0dB output level.

### 3. SD-YSS

CS49329により8ch化されます。Sub DSP経路によりYSS938に入力されスルー出力されます。

Main L/R出力にはYSS938 Main DSPが選択されます。サブメニューにより出力レベル0dB、フルビット出力が選択可能です。

#### SD-YSS 0dB

- The signal is output including the head margin.  
Head margin:  
Main L/R: -18dBFS, Center: -6dBFS, Rear Center: -3dBFS, FL/FR: -6dBFS, RL/RR: -18dBFS, SWFR: Add L/R signal at -20dBFS.

#### SD-YSS 0dB

- ヘッドマージンを含んで出力されます。  
ヘッドマージン：  
Main L/R: -18dBFS, Center: -6dBFS, Rear Center: -3dBFS、FL/FR: -6dBFS、RL/RR: -18dBFS、SWFR: L/Rを-20dBfsにて加算

### 3. SD-YSS 0dB

Reference data

INPUT: DVD ANALOG

SUBWOOFER: 50Hz, Others: 1kHz

Input level	Volume	PRE OUTPUT				
		MAIN L/R	CENTER	REAR CENTER	REAR L/R	SUBWOOFER
Both ch, -20 dBV	-10 dB	-6.2 dBV	-6.7 dBV	-7.0 dBV	-6.5 dBV	+0.5 dBV

#### SD-YSS FULL BIT

- The signal is output in digital full bit without including the head margin.
- The SWFR signal is output but not in digital full bit.

#### SD-YSS FULL BIT

- ヘッドマージンを含まず、フルビットで出力されます。
- SWFRは出力されますが、デジタルフルビットではありません。

### 3. SD-YSS F BIT

Reference data

INPUT: DVD ANALOG

SUBWOOFER: 50Hz, Others: 1kHz

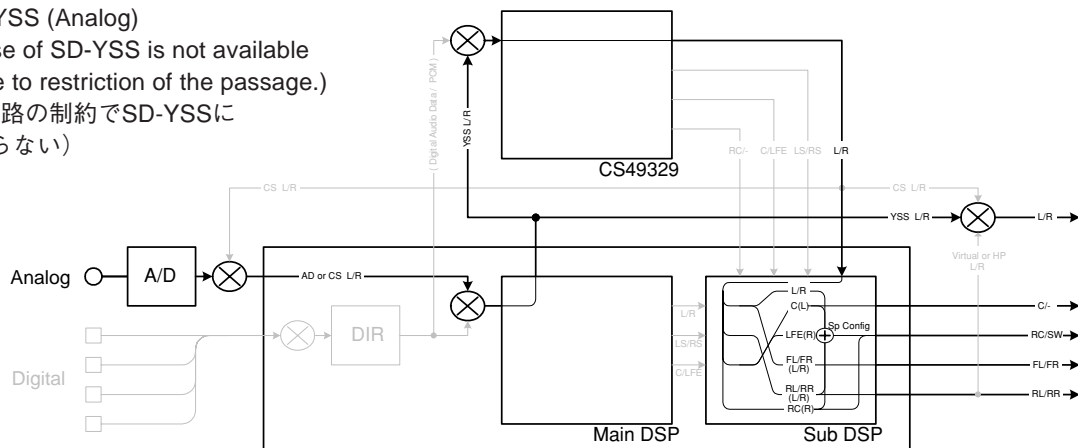
Input level	Volume	PRE OUTPUT				
		MAIN L/R	CENTER	REAR CENTER	REAR L/R	SUBWOOFER
Both ch, -20 dBV	-10 dB	-6.2 dBV	-0.7 dBV	-1.0 dBV	+5.3 dBV	+0.5 dBV

DSP THROUGH ~

SD-YSS (Analog)

(Use of SD-YSS is not available due to restriction of the passage.)

(経路の制約でSD-YSSにならない)



(Shaded items not used in this example)

#### 4. SECOND DECODER

8 channels are made usable by CS49329. The signal enters YSS938 through the Sub DSP passage and then undergoes through-output.

CS49329 is selected for the Main L/R output. Using the sub-menu, it is possible to select full bit output at 0dB output level.

- \* As a 3dB margin of CS is always effective for RC when decoding dts ES, even when the output in full bit is specified, the RC output remains up to 0dBFS when 0dBFS is input to LS/RS.

#### SD 0dB

- The signal is output including the head margin.  
Head margin:  
Main L/R: -18dBFS, Center: -6dBFS, Rear Center: -3dBFS, FL/FR: -6dBFS, RL/RR: -18dBFS, SWFR: Add L/R signal at -20dBFS.

#### 4. SECOND DECODER

CS49329により8ch化されます。Sub DSP経路によりYSS938に入力されスルー出力されます。

Main L/R出力にはCS49329が選択されます。サブメニューにより出力レベル0dB、フルビット出力が選択可能です。

- \* dts ESデコード時のRCはCSのマージン3dBが常時有効なので、LS/RSに0dBFSを入力した際のRC出力はフルビット指定しても0dBFSまでです。

#### SD 0dB

- ヘッドマージンを含んで出力されます。  
ヘッドマージン：  
Main L/R: -18dBFS, Center: -6dBFS, Rear Center: -3dBFS, FL/FR: -6dBFS, RL/RR: -18dBFS、SWFR: L/Rを-20dBfsにて加算

#### 4. SD 0dB

Reference data

INPUT: DVD ANALOG

SUBWOOFER: 50Hz, Others: 1kHz

Input level	Volume	PRE OUTPUT				
		MAIN L/R	CENTER	REAR CENTER	REAR L/R	SUBWOOFER
Both ch, -20 dBV	-10 dB	-6.2 dBV	-6.7 dBV	-7.0 dBV	-6.5 dBV	+0.5 dBV

#### SD FULL BIT

- The signal is output in digital full bit without including the head margin.
- The SWFR signal is output but not in digital full bit.

#### SD FULL BIT

- ヘッドマージンを含まず、フルビットで出力されます。
- SWFRは出力されますが、デジタルフルビットではありません。

#### 4. SD FULL BIT

Reference data

INPUT: DVD ANALOG

SUBWOOFER: 50Hz, Others: 1kHz

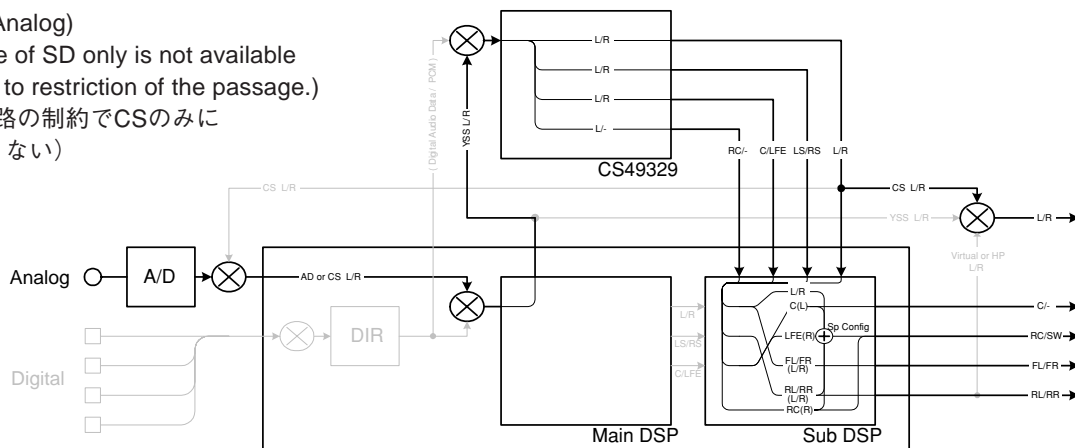
Input level	Volume	PRE OUTPUT				
		MAIN L/R	CENTER	REAR CENTER	REAR L/R	SUBWOOFER
Both ch, -20 dBV	-10 dB	-6.2 dBV	-0.7 dBV	-1.0 dBV	+5.3 dBV	+0.5 dBV

DSP THROUGH ~

CS (Analog)

(Use of SD only is not available due to restriction of the passage.)

(経路の制約でCSのみに  
ならない)



(Shaded items not used in this example)

### 5. HP ROUTE

This function is for YSS938 only. Sub DSP SDOB3 of YSS938 is selected for MAIN L/R output.

Using the sub-menu, it is possible to select the full-bit output at 0dB output level.

#### HP 0dB

- The signal is output including the head margin.  
Head margin:  
Main L/R: -18dBFS, Center: -6dBFS, Rear Center: -3dBFS, FL/FR: -6dBFS, RL/RR: -18dBFS, SWFR: Add L/R signal at -20dBFS.

### 5. HP ROUTE

YSS938のみの動作です。MAIN L/R出力にはYSS938のSub DSP SDOB3が選択されます。

サブメニューにより出力レベル0dB、フルビット出力が選択可能です。

#### HP 0dB

- ヘッドマージンを含んで出力されます。  
ヘッドマージン：  
Main L/R: -18dBFS、Center: -6dBFS、Rear Center: -3dBFS、FL/FR: -6dBFS、RL/RR: -18dBFS、SWFR: L/Rを-20dBfsにて加算

5. HP 0dB

Reference data

INPUT: DVD ANALOG

SUBWOOFER: 50Hz, Others: 1kHz

Input level	Volume	PRE OUTPUT				
		MAIN L/R	CENTER	REAR CENTER	REAR L/R	SUBWOOFER
Both ch, -20 dBV	-10 dB	-5.5 dBV	-∞	-∞	-∞	-∞

### HP FULL BIT

- The signal is output in digital full bit without including the head margin.
- The SWFR signal is output but not in digital full bit.

### HP FULL BIT

- ヘッドマージンを含まず、フルビットで出力されます。
- SWFRは出力されますが、デジタルフルビットではありません。

5. HP FULL BIT

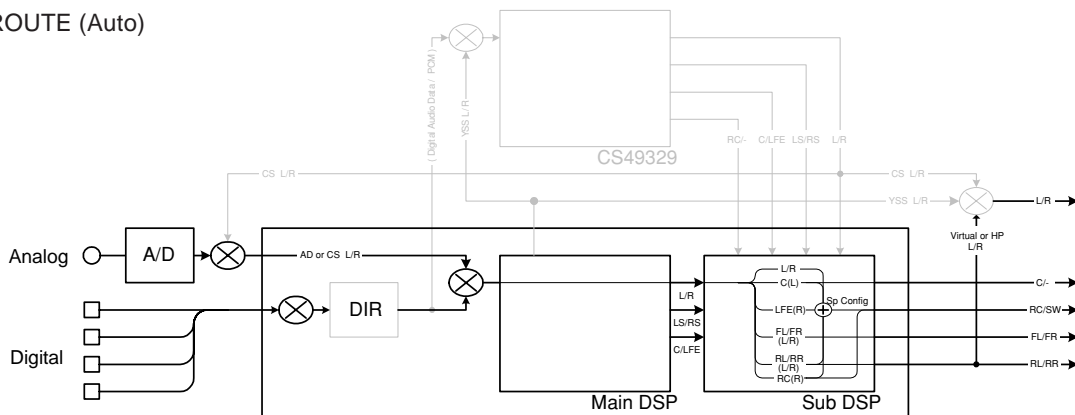
Reference data

INPUT: DVD ANALOG

SUBWOOFER: 50Hz, Others: 1kHz

Input level	Volume	PRE OUTPUT				
		MAIN L/R	CENTER	REAR CENTER	REAR L/R	SUBWOOFER
Both ch, -20 dBV	-10 dB	+8.8 dBV	-∞	-∞	-∞	-∞

DSP THROUGH ~  
HP ROUTE (Auto)



(Shaded items not used in this example)

### 6. RAM THROUGH

This function is for YSS938 only. Main L/R signal is output through Main DSP of YSS938.  
 CT/RC, RL/RR and FL/FR signals are output through Sub DSP - DRAM.

Using the sub-menu, it is possible to select the full-bit output at 0dB output level.

#### RAM 0dB

6. RAM 0dB

Reference data  
 INPUT: DVD ANALOG  
 SUBWOOFER: 50Hz, Others: 1kHz

Input level	Volume	PRE OUTPUT				
		MAIN L/R	CENTER	REAR CENTER	REAR L/R	SUBWOOFER
Both ch, -20 dBV	-10 dB	-6.2 dBV	-6.7 dBV	-7.0 dBV	-6.5 dBV	+0.5 dBV

### MAIN ATT

- MAIN -9dB

6. MAIN ATT

Reference data  
 INPUT: DVD ANALOG  
 SUBWOOFER: 50Hz, Others: 1kHz

Input level	Volume	PRE OUTPUT				
		MAIN L/R	CENTER	REAR CENTER	REAR L/R	SUBWOOFER
Both ch, -20 dBV	-10 dB	-6.0 dBV	-6.7 dBV	-7.0 dBV	-6.5 dBV	+0.5 dBV

### 6. RAM THROUGH

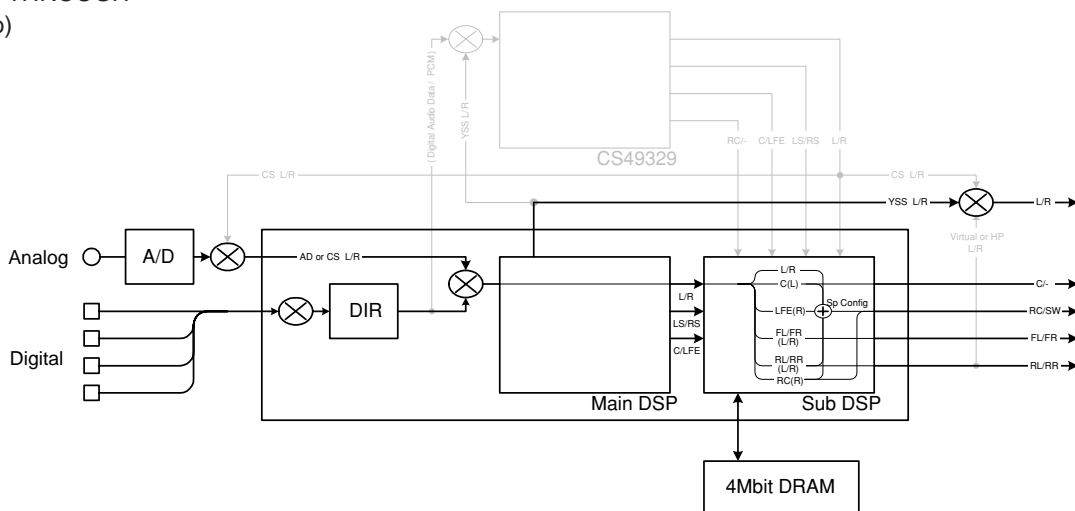
YSS938のみの動作です。Main L/RはYSS938のMain DSPから出力されます。  
 CT/RC、RL/RR、FL/FRはSub DSP — DRAM経由で出力されます。  
 サブメニューにより出力レベル0dB、フルビット出力が選択可能です。

#### RAM 0dB

### MAIN ATT

- MAIN -9dB

RAM THROUGH ~  
 (Auto)



(Shaded items not used in this example)



## 7. PRO LOGIC / NEO6

## 7. PRO LOGIC / NEO6

### PRO LOGIC I

### PRO LOGIC I

#### 7. PRO LOGIC I

Reference data

INPUT: DVD ANALOG

SUBWOOFER: 50Hz, Others: 1kHz

Input level	Volume	PRE OUTPUT				
		MAIN L/R	CENTER	REAR CENTER	REAR L/R	SUBWOOFER
Each ch, -20 dBV	-10 dB	-6.2 dBV	- ∞	- ∞	- ∞	- ∞
Both ch, -20 dBV	-10 dB	- ∞	-3.7 dBV	- ∞	- ∞	- ∞

### PRO LOGIC II

### PRO LOGIC II

#### 7. PRO LOGIC II

Reference data

INPUT: DVD ANALOG

SUBWOOFER: 50Hz, Others: 1kHz

Input level	Volume	PRE OUTPUT				
		MAIN L/R	CENTER	REAR CENTER	REAR L/R	SUBWOOFER
Each ch, -20 dBV	-10 dB	-6.2 dBV	- ∞	- ∞	- ∞	- ∞
Both ch, -20 dBV	-10 dB	- ∞	-3.7 dBV	- ∞	- ∞	- ∞

The L/C/R/RL/RR signals undergo the Pro-Logic processing and C/RL/RR signals are output through Sub DSP-DRAM. Main DSP is selected for MAIN L/R output.

Using the sub-menu, it is possible to select PRO LOGIC I, II (Movie). The Auto Input Balance function is always off.

When dts/AAC input is used, the signal is decoded by CS49329 and the L/R signal undergoes the Pro-Logic processing.

When the Dolby Digital Multi input is used, the function is the same as in the Dolby Digital Normal mode.

The LFE signal is not output when decoding in the PRO LOGIC I, II mode.

L/C/R/RL/RRはYSS938によりプロロジック処理され、C/RL/RRはSub DSP-DRAM経由で出力されます。MAIN L/R出力にはMain DSPが選択されます。

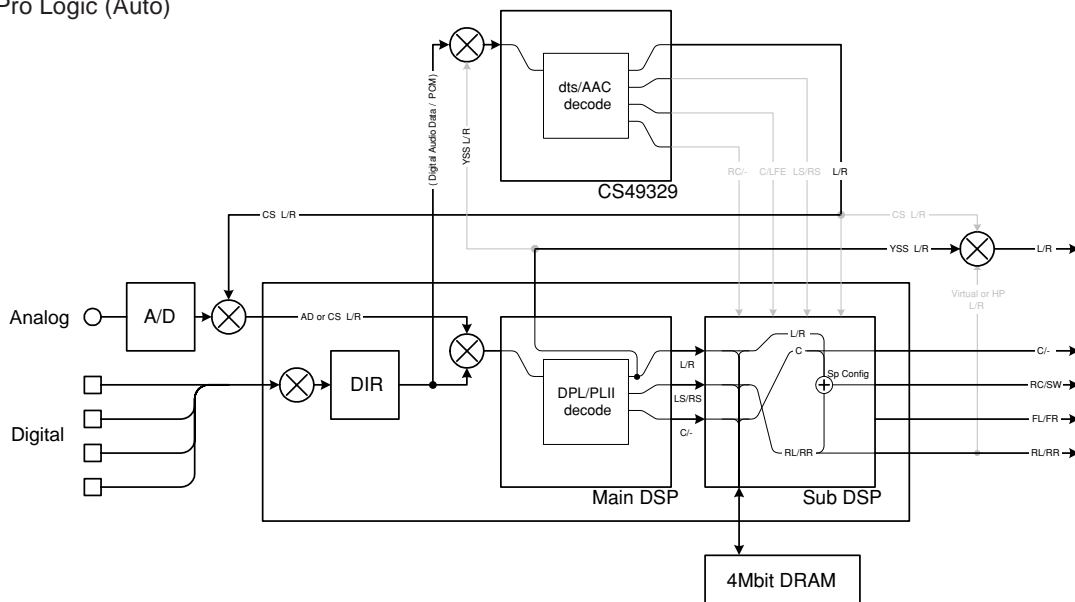
サブメニューでPRO LOGIC I、II (Movie)を選択可能です。常時Auto Input Balance offです。

dts/AAC入力時はCS49329でデコード後、L/Rはプロロジック処理されます。

Dolby Digital Multi入力時は、通常のDolby Digital Normalと同じ動作をします。

PRO LOGIC I、IIデコード時は、LFEは出力されません。

Dolby Pro Logic (Auto)



(Shaded items not used in this example)

Neo:6

Neo:6

7. Neo:6

Reference data

INPUT: DVD ANALOG

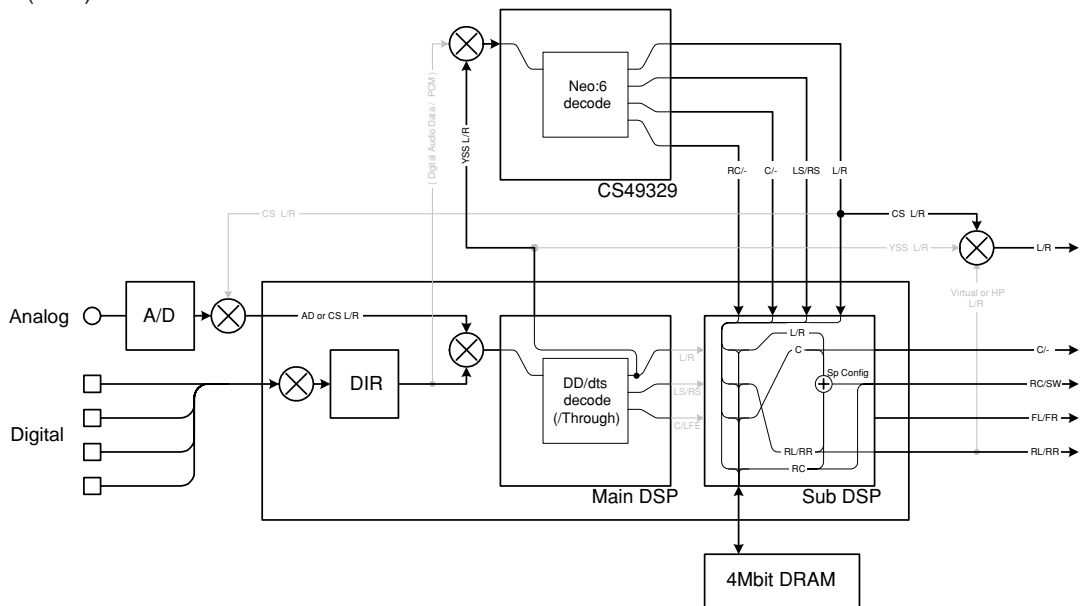
SUBWOOFER: 50Hz, Others: 1kHz

Input level	Volume	PRE OUTPUT				
		MAIN L/R	CENTER	REAR CENTER	REAR L/R	SUBWOOFER
Each ch, -20 dBV	-10 dB	-6.2 dBV	-∞	-∞	-∞	-∞
Both ch, -20 dBV	-10 dB	-∞	-3.7 dBV	-∞	-∞	-∞

L/C/R/RL/RC/RR signals are NEO:6 processed by CS49329 and C/RL/RC/RR signals are output through Sub DSP-DRAM. CS49329 is selected for the MAIN L/R output. The NEO:6 mode is fixed to Cinema 6ch. When DD/dts input is used, the signal is decoded by YSS-938 and then L/R signal is NEO:6 processed by CS49329. When AAC input is used, the signal is muted. When NEO:6 decoding is used, the LFE signal is not output.

L/C/R/RL/RC/RRはCS49329によりNEO:6処理され、C/RL/RC/RRはSub DSP-DRAM経由で出力されます。MAIN L/R出力にはCS49329が選択されます。NEO:6のモードはCinema 6ch固定です。DD/dts入力時はYSS-938でデコード後、L/RをCS49329でNEO:6処理。AAC入力時はミュートされます。NEO:6デコード時は、LFEは出力されません。

NEO:6 (Auto)



(Shaded items not used in this example)

RX-V2300/DSP-AX2300  
RX-V1300/RX-V1300RDS/HTR-5590/DSP-AX1300

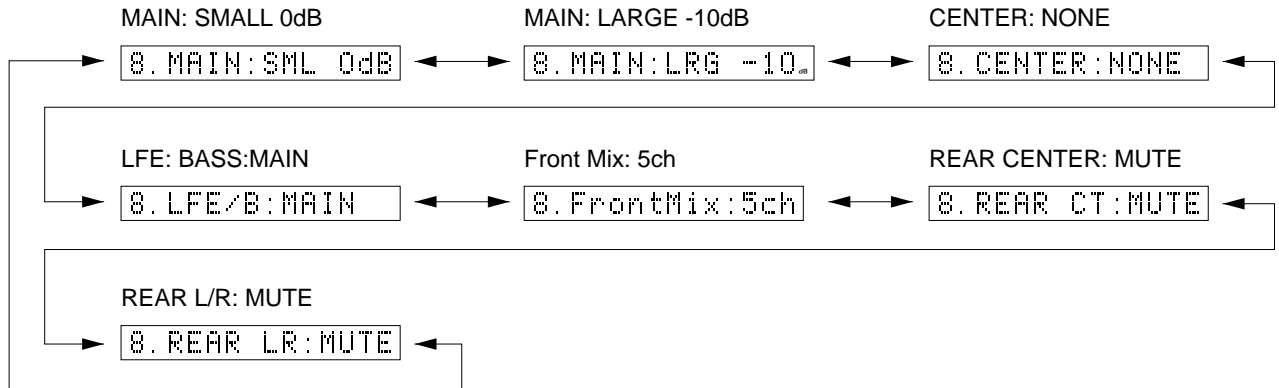
## 8. SPEAKERS SET

The input signal is automatically identified in the order of dts → DOLBY DIGITAL → AAC → PCM → Analog.  
There are seven sub-menu items as follows. The signals output from the DSP block are the same as 1. YSS938: YSS 0dB.

## 8. SPEAKERS SET

入力は、DTS → DOLBY DIGITAL → AAC → PCM → アナログの優先順で自動判別されます。

サブメニューは以下の7つあります。  
DSP部からは、No.1 YSS938のYSS 0dBと同様の信号が出力されます。



The analog switch settings for each sub-menu are as shown in the table below.

各サブメニューにおけるアナログスイッチの設定は以下の通りです。

Sub-menu		CENTER SP	REAR SP	MAIN SP	MAIN LEVEL	LFE/BASS
1	MAIN: SMALL 0dB	LARGE	LARGE	SMALL	0dB	SWFR
2	MAIN: LARGE -10dB	LARGE	LARGE	LARGE	-10dB	BOTH
3	CENTER: NONE	NONE	LARGE	LARGE	0dB	BOTH
4	LFE/BASS: MAIN	SMALL	SMALL	LARGE	0dB	MAIN
5	FRONT MIX: 5CH	LARGE	LARGE	LARGE	0dB	BOTH
6	REAR CENTER: MUTE	LARGE	LARGE	LARGE	0dB	BOTH
7	REAR L/R: MUTE	LARGE	LARGE	LARGE	0dB	BOTH

**LARGE:** This mode is used with a speaker with high bass reproduction performance (a large unit). Full bandwidth signals are output.  
**SMALL:** This mode is used with a speaker with low bass reproduction performance (a small unit). The signals of 90Hz or less are mixed into the channel specified by LFE/BASS.  
**NONE:** This mode is used with no center speaker. The center content is reduced by 3dB and distributed to MAIN L/R.

**LARGE :** 低音再生能力の高い(ユニットの大きい)スピーカーを使用するモードです。全帯域が出力されます。  
**SMALL :** 低音再生能力の低い(ユニットの小さい)スピーカーを使用するモードです。90Hz以下がLFE/BASSで指定したチャンネルにミックスされます。  
**NONE :** スピーカーを使用しないモードです。センター成分は-3dBされて、MAIN L/R に振り分けられます。

### Reference data

INPUT: DVD ANALOG

SUBWOOFER: 50Hz, Others: 1kHz

Sub-menu	Input level	Volume	PRE OUTPUT					
			MAIN L/R	CENTER	REAR CENTER	REAR L/R	SUBWOOFER	
1	MAIN: SMALL 0dB	Both ch, -20 dBV	-10 dB	-6.2 dBV	-6.7 dBV	-7.0 dBV	-6.5 dBV	+4.9 dBV
2	MAIN: LARGE -10dB	Each ch, -20 dBV	-10 dB	-16.2 dBV	-6.7 dBV	-7.0 dBV	-6.5 dBV	+0.5 dBV
3	CENTER: NONE	Each ch, -20 dBV	-10 dB	-9.8 dBV	-∞	-7.0 dBV	-6.5 dBV	+0.5 dBV
4	LFE/BASS: MAIN	Each ch, -20 dBV	-10 dB	-6.5 dBV	-16.7 dBV	-17.0 dBV	-6.5 dBV	-∞
5	FRONT MIX: 5CH	Each ch, -20 dBV	-10 dB	-16.2 dBV	-6.7 dBV	-7.0 dBV	-6.5 dBV	+0.5 dBV
6	REAR CENTER: MUTE	Each ch, -20 dBV	-10 dB	-6.2 dBV	-6.7 dBV	-7.0 dBV	-6.5 dBV	+0.5 dBV
7	REAR L/R: MUTE	Both ch, -20 dBV	-10 dB	-6.2 dBV	-6.7 dBV	-7.0 dBV	-∞	+0.5 dBV

### 9. EFFECT OFF / DISPLAY CHECK

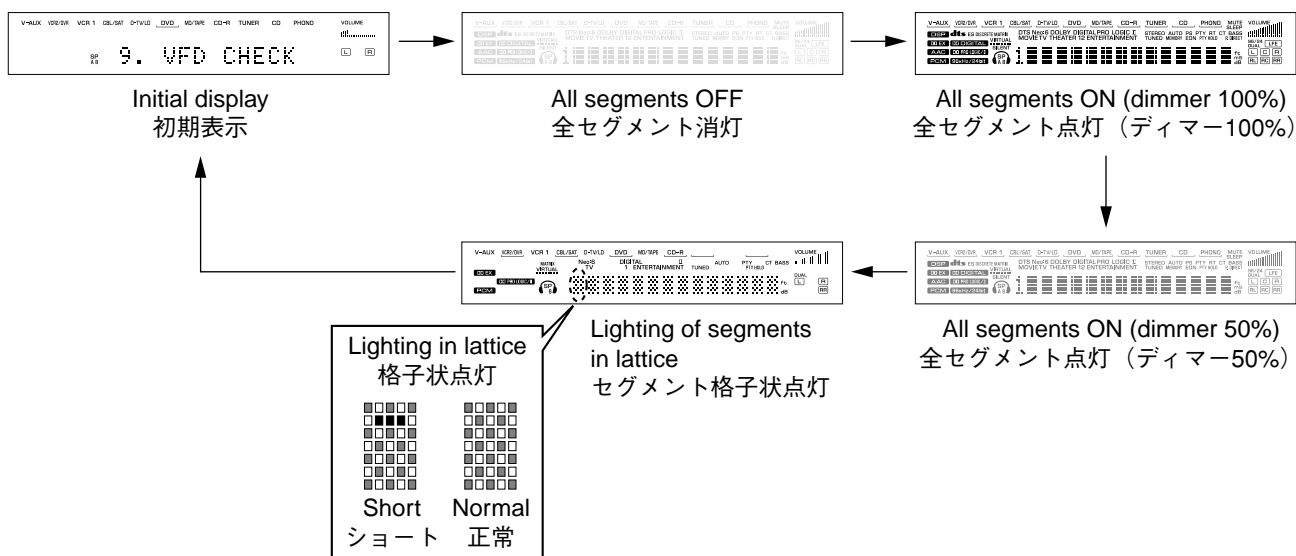
This program is used to check the FL display section. The display condition varies as shown below according to the sub-menu operation. The signals are processed using EFFECT OFF (The L/R signal is output using ANALOG MAIN BYPASS.)

The video signal internal/external synchronization switching is controlled by the microprocessor. When the initial message is displayed and all the FL segments light up, it is switched to the internal synchronization but other than that it is forced to the external synchronization setting.

Also, except for the initial display, 128 pictographs for checking the OSD driver are used for the video signal output display.

### 9. EFFECT OFF / DISPLAY CHECK

FL表示部のチェックプログラムです。サブメニュー操作により、表示状態が以下のように変わります。信号処理はEFFECT OFF (ANALOG MAIN BYPASSでL/Rを出力)です。マイコン制御による映像信号の内部/外部同期切替は、初期表示とFL全点灯時に内部同期となり、それ以外は強制外部同期となります。また、初期表示以外で映像出力にOSDドライバー確認用128絵文字表示が出ます。



Segment conditions of the FL driver and the FL tube are checked by turning ON and OFF all segments. Next, the operation of the FL driver is checked by using the dimmer control. Then a short between segments next to each other is checked by turning ON and OFF all segments alternately (in lattice). (In the above example, the segments in the second row from the top are shorted.)

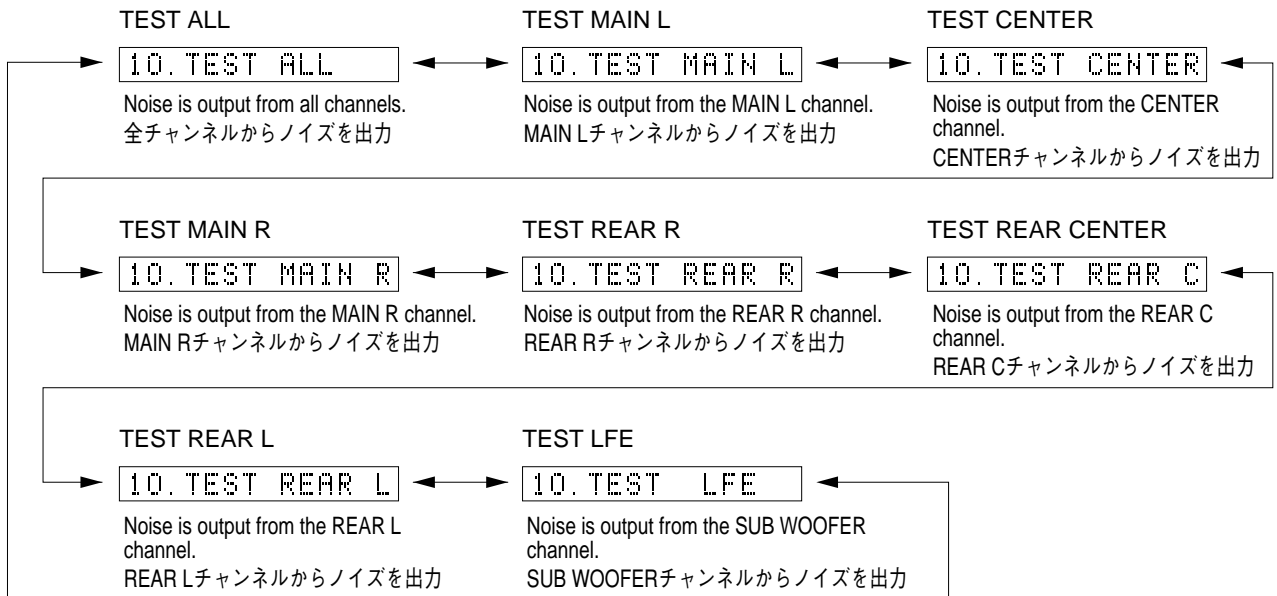
全セグメント消灯・全セグメント点灯によりFLドライバー、FL管のセグメントの不良を確認します。次に、ディマーコントロールによってFLドライバーの動作チェックを行います。さらに全セグメントを交互(格子状)に点灯/消灯することで、隣り合うセグメントのショートをチェックします。

## 10. MANUAL TEST

The noise generator with a built-in DSP outputs the test noise through the channels specified by the sub-menu. The noise frequency for LFE is 35 to 250 Hz. Other than that, the center frequency is 800Hz.

## 10. MANUAL TEST

DSP内蔵のノイズ発生回路によって、サブメニューで指定したチャンネルへテストノイズを出力します。LFE用のノイズ周波数は35～250Hz、それ以外は中心周波数800Hzとなります。

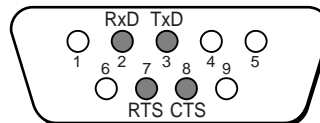


## 11. RS-232C

RX-V2300/DSP-AX2300 only.  
This menu is used to check transmission of the data and the flow port of the hardware.  
With the power turned off, short between pins No.2 (RxD) and No.3 (TxD), and between pins No.7 (RTS) and No.8 (CTS) of the RS-232C terminal. (Be sure to turn off the power when shorting the pins.)  
Start DIAG and select the menu.  
There are two sub-menu items.

## 11. RS-232C

RX-V2300/DSP-AX2300で使用します。  
データ送受信チェック、ハードウェアフローポートチェックを行うメニューです。  
パワーオフ状態にしてから、RS-232C端子の2ピン(RxD)と3ピン(TxD)、7ピン(RTS)と8ピン(CTS)をショートさせます。(ショートさせるときは必ず電源を切ってください。)  
ダイアグを起動してメニューを選択します。  
サブメニューは2つあります。



### TxD/RxD DATA

The sub-menu is used to check transmission of the test data. "OK" appears when the data is transmitted properly and "NG" when it is not.  
In this mode, NULL command transmission is continued after the test command is transmitted.

### TxRx Data

テストの送受信チェックを行います。正常に送受信完了した場合、"OK"と表示します。正常に送受信しなかった場合は"NG"と表示します。  
このモードでは、テストコマンド送信後、200msごとにNULLコマンド(無効なコマンド)を送信し続けます。

11 TxRxData:XX

### HARD FLOW

This sub-menu is used to check operation of the flow port of the hardware. "OK" appears when the check result is satisfactory and "NG" when it is not.

### Hard Flow

ハードウェアフローポートの動作チェックを行います。正常にチェック完了した場合、"OK"と表示します。正常にチェック完了しなかった場合は"NG"と表示します。

11 HardFlow:XX

## 12. FACTORY PRESET

This menu is used to reserve and inhibit initialization of the back-up RAM. The signals are processed using EFFECT OFF. (The L/R signal is output using ANALOG MAIN BYPASS.)

12 PRESET INHI



12 PRESET RSRV

### PRESET INHIBIT (Initialization inhibited) / PRESET INHIBIT (初期化禁止)

RAM initialization is not executed. Select this sub-menu to protect the values set by the user.

RAMの初期化は行われません。ユーザーの設定値を保護するときは、こちらを選択してください。

### PRESET RESERVED (Initialization reserved) / PRESET RESERVED (初期化予約)

Initialization of the back-up RAM is reserved. (Actually, initialization is executed the next time that the power is turned on.) Select this sub-menu to reset to the original factory settings or to reset the RAM.

バックアップRAMの初期化が予約されます。(実際に初期化されるのは、次回の電源投入時です。)工場出荷時やRAMをリセットしたいときは、こちらを選択してください。

**CAUTION:** Before setting to the PRESET RESERVED, write down the existing preset memory content of the Tuner in a table as shown below. (This is because setting to the PRESET RESERVED will cause the user memory content to be erased.)

注意：PRESET RESERVEDを選んで初期化をする前に、チューナーのユーザーメモリー内容を下表に書き写してください。(初期化をすると、ユーザーメモリーの内容は消えてしまいます。)

Preset group	P1	P2	P3	P4	P5	P6	P7	P8
A								
B								
C								
D								
E								

### • PRESET STATIONS / プリセット局

STATION		FM FACTORY PRESET DATA (MHz)		
PAGE	NO.	U, C	A, B, G, R, T, K	J
A/C/E	1	87.5	87.50	76.0
	2	90.1	90.10	83.0
	3	95.1	95.10	84.0
	4	98.1	98.10	86.0
	5	107.9	108.00	90.0
	6	88.1	88.10	78.0
	7	106.1	106.10	88.0
	8	107.9	108.00	82.1

STATION		AM FACTORY PRESET DATA (kHz)		
PAGE	NO.	U, C, R, T, K	A, B, G	J
B/D	1	630	630	630
	2	1080	1080	1080
	3	1440	1440	1440
	4	530	531	531
	5	1710	1611	1611
	6	900	900	900
	7	1350	1350	1350
	8	1400	1404	1404

### 13. AD DATA CHECK / FAN TEST

This menu is used to display the A/D conversion value of the main CPU which detects panel keys of the main unit and protection functions in % using the sub-menu. During signal processing, the condition before execution is maintained.

When K0/K1 menu is selected, keys become non-operable due to detection of the values of all keys. However, it is possible to advance to the next sub-menu by turning the VOLUME of the main unit. When using this function, note that turning the VOLUME more than 1 click would cause the volume value to change.

\* The figures in the diagram are given as reference only.

#### DC/PS (protection detection)

DC: DC detect protection value (Normal value: 1 to 13)

PS: Power supply voltage protection value (Normal value: 18 to 32)

\* If DC or PS is out of the normal value range, the protection function works to turn off the power. (Reference voltage: 5V=100%)

DC:007 PS:025

#### THM/FAN OUT (temperature detection/fan drive level)

THM: 500% display of the voltage based on the temperature detected value.

Reference voltage: 5V=500% (Normal value: U, C models ..... 51 to 169, Others models ..... 51 to 158)

Fan: Current fan drive level on the left and the past fan drive history on the right.

THM:101 Fan: /

Display	H	M	L
fan drive level	HIGH	MID	LOW

#### REC-OUT (Select position)

This applies to the model equipped with the REC OUT selector.

REC-OUT:186

[Table 1]

Display	REC OUT Select
0±2	CD-R
15±2	CBL/SAT
30±2	PHONO
44±2	V-AUX
60±2	MD/TAPE
76±2	D-TV/LD
92±2	PHONO
122±2	TUNER
137±2	VCR1
153±2	CD
170±2	VCR2/DVR
186±2	SOURCE
202±2	DVD

### 13. AD DATA CHECK / FAN TEST

本体パネルキー、プロテクションなどを検出しているメインCPUのA/D変換の値を、サブメニューで%表示します。信号処理は実行前の状態を維持します。

K0/K1のメニューにすると、全キーの値を検出するためキー操作はできなくなりますが、本体のVOLUMEを回すことにより、次のサブメニューに進めることができます。このとき1クリック以上回すと、ボリューム値が変化するので注意してください。

※図中の数値は参考例です。

#### DC/PS (プロテクションの検出)

DC: DC検出プロテクションの値(正常値1~13)

PS: 電源電圧プロテクションの値(正常値18~32)

※ DC、PSは正常値を外れるとプロテクションが働き、電源オフされます。

(基準電圧: 5V=100%)

#### THM/FAN OUT (温度検出/ファン駆動レベル)

THM: 温度検出値で電圧の500%表示、基準電圧は5V (正常値: UCモデル...51~169、他...51~158)

Fan: 左側は現在のファン駆動レベル、右側は過去のファン駆動履歴

#### REC-OUT (選択位置表示)

レックアウトセレクター装備モデルに適用

**IMP SW/POWER LIMIT** (Impedance/power limiter detection)

IMP: 8 or 4 ohm impedance switch setting

PL: Power limiter detection value

The voltage value of pin No. 135 of IC520 is displayed, using 5V/256 as standard.

When the power is turned on, the speaker impedance switch setting is automatically detected, using the input voltage value of pin No. 135 of IC520.

The output of ports No.60 and No. 61 are controlled by using the input voltage value of pin No. 135 of IC520.

When higher than VthH, the port output is changed from L to H.

When lower than VthH, the port output is changed from H to L.

IMP:8 PL:029

**K0/K1** (Panel key of main unit) [Remote control code: -]  
A/D of the key fails to function properly when the standard value is deviated by  $\pm 4\%$ . In this case, check the constant of partial pressure resistor, solder condition, etc. Refer to table 2.

(Reference voltage: 5V=100%)

K0:100 K1:100

[Table 2]

Display	K0	K1
00±2	PRESET/TUNING ▷	-
10±2	◁ PRESET/TUNING	PROCESSOR DIRECT
20±2	PRESET/TUNING	BASS EXTENSION
30±2	FM/AM	INPUT MODE
40±2	MEMORY	SPEAKERS A
50±2	TUNING MODE	SPEAKERS B
60±2	RDS MODE	EFFECT
70±2	RDS EON	PROGRAM ▷
80±2	PTY MODE	◁ PROGRAM
90±2	PTY START	A/B/C/D/E
100	KEY OFF	KEY OFF

**IMP SW/POWER LIMIT** (インピーダンス/パワーリミッターの検出)

IMP: インピーダンスSW検出の値

PL: パワーリミッター検出の値

IC520 135ピンの電圧値を5V/256を基準にして表示します。

IC520 135ピンの入力電圧値により、ポートNo.60と61の出力を制御します。

VthHを越えた場合、ポート出力をLからHにします。

VthLを下回った場合、ポート出力をHからLにします。

**K0/K1** (本体パネルキー)

キーのA/Dは基準値から $\pm 4\%$ を外れると、正常な動きをしません。下表2をご覧になり、各キーの分圧抵抗の定数、ハンダ不良等の確認をしてください。

(基準電圧：5V=100%)

**FAN DRIVE TEST** (For models so equipped)

For models equipped with a fan

HIGH

FAN TEST:HIGH

**FAN DRIVE TEST** (ファン駆動テスト)

ファン装備モデルに適用

HIGH：ファン駆動強

**FAN DRIVE TEST** (For models so equipped)

For models equipped with a fan

MID

FAN TEST:MID

**FAN DRIVE TEST** (ファン駆動テスト)

ファン装備モデルに適用

MID：ファン駆動中

**FAN DRIVE TEST** (For models so equipped)

For models equipped with a fan

LOW

FAN TEST:LOW

**FAN DRIVE TEST** (ファン駆動テスト)

ファン装備モデルに適用

LOW：ファン駆動弱



### 14. IF STATUS (Input function status)

Using the sub-menu, the status data is displayed one after another in the hexadecimal notation.

During signal processing, the status before execution of this menu is maintained.

\* Numeric values in the figure example are for reference.

#### IS1-2 (Internal status):

Indicates the status information of the microprocessor.

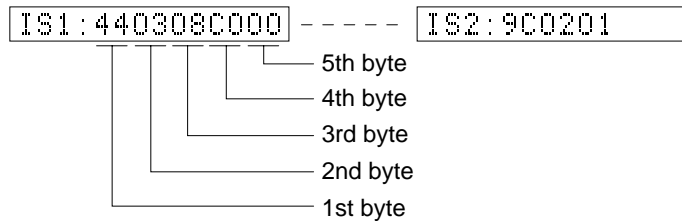
### 14. IF STATUS

サブメニュー操作により、以下のステータス情報を順次16進数で表示します。信号処理は、本メニュー実行前の状態を維持します。

※図中の数値は参考例です。

#### IS 1-2 (内部ステータス):

マイコンのステータス情報を表示します。



<1st byte> Digital input/output setting value

Upper 4 bits: REC OUT selected /

lower 4 bits: INPUT selected

<第1バイト>デジタル入出力設定値

上位4bit REC OUT選択 /

下位4bit INPUT選択

Value	Choice	Preset name
0	NONE	
1	OPT A	V-AUX
2	OPT B	CD
3	OPT C	CD-R
4	OPT D	DVD
6	OPT F	D-TV/LD
8	COAX A	CD
9	COAX B	CBL/SAT

<2nd byte> Fs information of reproduction signal

<第2バイト>再生信号のFs情報

Display	00	01	02	03	04	05	06	0A	0B	0C	0D
Fs (kHz)	Analog	32	44.1	48	64	88.2	96	Unknown NRM	Unknown DBL	Unknown QUAD	Not defined

<3rd byte> Audio code mode information of reproduction signal

<第3バイト>再生信号のオーディオコードモード情報

Display	00	01	02	03	04	05	06	07	08	09	0A	0B	0C	0D
Audio Code	1+1	1/0	2/0	3/0	2/1	3/1	2/2	3/2	2/3	3/3	OVER 6.1A	MULTI MONO	MULTI PCE	Unknown

<4th byte> Format information of reproduction signal

\*1: Analog processing used for digital reproduction is not possible because of a commercial bit or 4-ch audio reason.

<第4バイト>再生信号のフォーマット情報

\*1: 業務用ビットや4chオーディオなどの理由で、デジタル再生できずアナログ処理されます。

Display	Signal format
00	Analog (Unlock)
01	Incorrect digital (*1)
10	PCM Audio
20	Digital Data
21	IEC1937 Data
22	None PCM
23	Unknown
50	dts
51	Red dts
54	dts-ES MATRIX
58	dts-ES DISCRETE
5C	dts-ES (Both flag)
60	AAC
C0	Dolby Digital
C1	D.D. Karaoke
C4	D.D.6.1 (D.D.EX)

<5th byte> Signal processing status information  
\*2: With digital signals other than 32kHz, 44.1kHz and 48kHz, through processing method is used for reproducible signals.

<第5バイト>信号処理ステータス情報  
\*2: 32kHz、44.1kHz、48kHz以外のデジタル信号の場合、再生可能な信号についてはスルー処理されます。

bit7	MUTE request	bit3	-
bit6	Red dts flashing	bit2	Through & bypass (*2)
bit5	6.1/ES processing	bit1	-
bit4	FULL MUTE (ON: 1)	bit0	dts analog mute

**CS1-5:** Indicates channel status information of the input signal (IEC60958).

**CS 1-5:** 入力信号のIEC60958チャンネルステータス情報を表示します。

CS1:0299000200 ----- CS5:00000000

**BY1-4:** Indicates information of the bit stream included in the DOLBY DIGITAL signal.

**BY1-4:** DOLBY DIGITAL信号に含まれるビットストリームインフォメーション情報を表示します。

BY1:1E40E1301B ----- BY4:01FFFFFF

**BS1-5:** Indicates information of the bit stream included in the dts signal.

**BS1-5:** dts信号に含まれるビットストリームインフォメーション情報を表示します。

BS1:000070FFFF ----- BS5:C4

**YS1-3:** Indicates device status information of YSS938 (IC514).

**YS1-3:** YSS938 (IC514)のデバイスステータス情報を表示します

\* The numeric value in the figure is an example for reference.

\* 図中数値は参考例です。

YS1:FED2004F97

YS2:0101418000

YS3:1A41803D

Byte No.	Function
1	YSS MUTE Reg
2	YSS MODE Reg
3	YSS IPORT BIT 7-0
4	YSS IPORT BIT 14-8
5	YSS OPORT

Byte No.	Function
1	IEC 1937 Preamble Pc
2	Data Stream Reg
3	Status Reg
4	YSS ZERO Reg
5	MIREG

Byte No.	Function
1	DIR Status
2	DIR fs
3	DIR fs count
4	YSS ZEROBF

**SD:** CS49329 Unsolicited Messages (AUTODETECT\_RESPONSE)

**SD:** CS49329 Unsolicited Messages (AUTODETECT\_RESPONSE)

SD :000001

**MTT:** Mute Trigger

**MTT:** Mute Trigger

MTT:0020000007

Byte No.	Function
1	Mute condition
2	Factor of the last mute
3	Error count of YSS938-FSCNT
4	Mute count by YSS938-FSCNT
5	Error factor of down load of CS49329

### 15. DSP RAM CHECK

This menu is used to self-diagnose whether or not the bus connection for the YSS938 and the external RAM is made properly.

During signal processing, the status before execution of this menu is maintained.

The address bus and the data bus are checked and the connection condition is displayed.

When no error is detected, "NoEr" appears on display.

#### YSS938 Bus Check

YSS BUS:NoEr

Display	Description
WAIT	Bus is being checked.
NoEr	No error detected.
DATA	Data bus shorted or open.
RSCS	/RAS or /CAS shorted, or open.
ADDR	Address bus shorted or open.

### SECOND DECODER BUS CHECK

SD BUS:NoEr

Display	Description
WAIT	Bus is being checked.
NoEr	No error detected.
DATA	Data bus shorted or open. (XX: 00-07)
ADDR	Address bus shorted or open. (XX: 00-0E)

### 16. SD DL CODE

This menu is used to display the data version, TOC information and sum calculated value of the flash ROM for CS49329.

#### ROM DATA VERSION

Displays the data version of the Flash ROM for CS49329.

RDV:X

#### TOC AREA 0-5

Displays the TOC information.

TAD:0502629A ----- TAS:FFFFFFFF

#### SUM CHECK AREA 0-5

Displays the sum calculated value.

SAD:984E984E ----- SAS:FFFFFFFF

### 15. DSP RAM CHECK

YSS938と外付けRAMとのバス接続の正否を自己診断します。

信号処理は、このメニューを実行する前の状態を維持します。

アドレスバス、データバスのチェックを行い、接続正否を表示します。

エラーが検出されなかった場合は、“NoEr”と表示されます。

#### YSS938 BUS CHECK

### SECOND DECODER BUS CHECK

### 16. SD DL CODE

CS49329用フラッシュROMのデータバージョンや、TOC情報、サム算出値を表示します。

#### ROM DATA VERSION

CS49329用フラッシュROMのデータバージョンを表示します。

#### TOC AREA 0-5

TOC情報を表示します。

#### SUM CHECK AREA 0-5

サム算出値を表示します。

## 17. SOFT SW

This menu is used to switch the function settings on P.C.B. through the software so as to activate the product.

The protection function follows the P.C.B. settings. When connected to AC or in the maker preset state, the unit is initialized to the P.C.B. setting. Display of each function after initialization varies depending on settings on P.C.B. The operation mode can be changed by selecting the sub-menu and then using the EFFECT key. With SOF selected for the SW mode, the settings become effective.

### SW MODE

PCB or SOFT can be selected.

17. SW : PCB

### MODEL SETTING

V1300, V2300, V3300 or AZ2 can be selected.

17. MODEL : V1300

### TUNER DESTINATION

J, UC, ATKG or R can be selected.

17. DEST : UC

### TUNER EXIST

NOT or EXIST can be selected.

17. TUNER : EXIST

### RDS EXIST

NOT or EXIST can be selected.

17. RDS : NOT

### ZONE 2 EXIST

NOT or EXIST can be selected.

17. ZONE2 : NOT

### VIDEO FORMAT

NTSC or PAL can be selected.

17. VIDEO : NTSC

## 17. SOFT SW

P.C.B.上の機能設定をソフト的に切り替えて、製品を動作させる機能です。

プロテクション機能は、P.C.B.の設定に従います。AC接続またはメーカープリセットで、P.C.B.の設定に初期化されます。初期化後の各機能の表示は、P.C.B.上の設定によります。操作は、サブメニューを選んだ後、EFFECTキーで切り替えます。SWモードをSOFTにすると、設定が有効になります。

### SW MODE

PCBまたはSOFTを選択できます。

### MODEL SETTING

V1300、V2300、V3300、AZ2のいずれかを選択できます。

### TUNER DESTINATION

J、UC、ATKG、Rのいずれかを選択できます。

### TUNER EXIST

NOTまたはEXISTを選択できます。

### RDS EXIST

NOTまたはEXISTを選択できます。

### ZONE 2 EXIST

NOTまたはEXISTを選択できます。

### VIDEO FORMAT

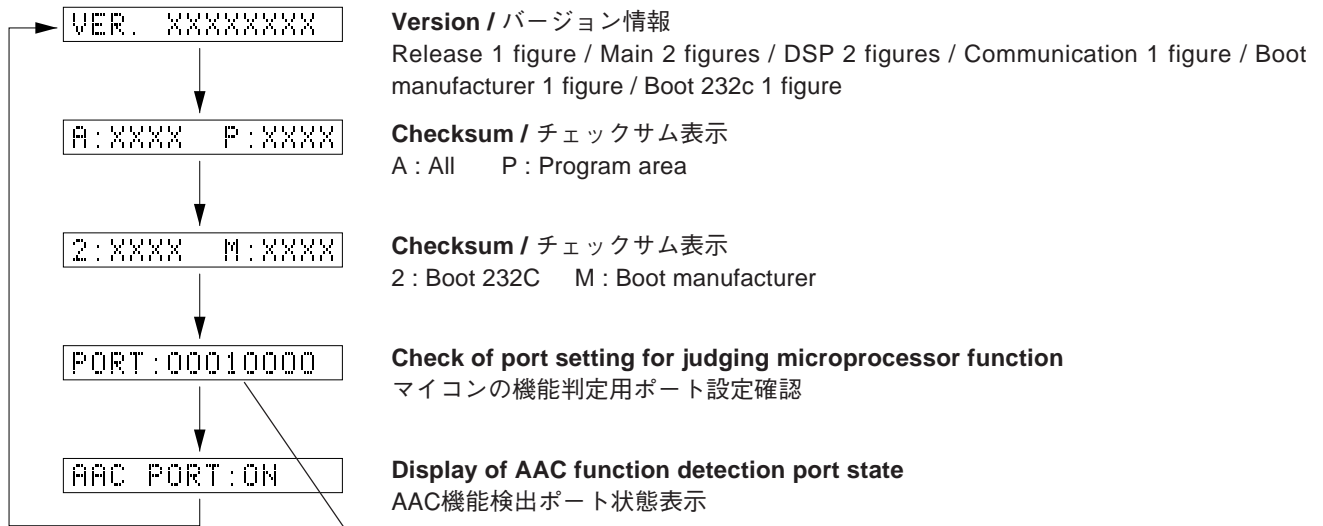
NTSCまたはPALを選択できます。

## 18. MICROPROCESSOR INFORMATION

The version, checksum and the port specified by the microprocessor are displayed. The signal is processed using EFFECT OFF. The checksum is obtained by adding the data at every 16 bits for each program area and expressing the result as a 4-figure hexadecimal data.

## 18. マイコン情報

サブメニューは5つあります。プログラムのバージョン、チェックサム、マイコンの指定ポートを表示します。信号はエフェクトOFFです。チェックサムは、プログラムエリア別にデータを8ビットごとに加算していき、4桁の16進データで現したものです。



“PORT:0 0 0 0 0 0 0”  
bit 7 6 5 4 3 2 1 0

- Model type 0 (\*1)
- Model type 1 (\*1)
- Tuner mode 0 (\*2)
- Tuner mode 1 (\*2)
- Tuner with (1) / without (0)
- RDS with (1) / without (0)
- ZONE2 with (1) / without (0)
- VIDEO format: PAL (1) / NTSC (0)

\*1 (Model type)

Type 0	Type 1	Model type
0	0	V1300
1	0	V2300
0	1	V3300
1	1	AZ2

\*2 (Tuner mode)

Tuner mode 0	Tuner mode 1	Tuner frequency
0	0	AM: 531-1611kHz/9kHz FM: 76.0-90.0MHz/100kHz
0	1	AM: 531-1611kHz/9kHz FM: 87.5-108.0MHz/50kHz
1	0	AM: 530-1710kHz/10kHz FM: 87.5-107.9MHz/200kHz
1	1	R destination, Port6: LOW AM: 530-1710kHz/10kHz FM: 87.5-108.0MHz/100kHz HIGH AM: 531-1611kHz/9kHz FM: 87.5-108.0MHz/50kHz

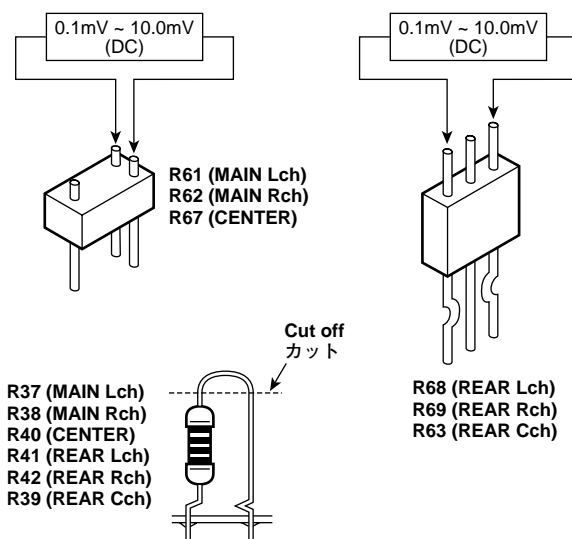
## ■ AMP ADJUSTMENT / アンプ部調整

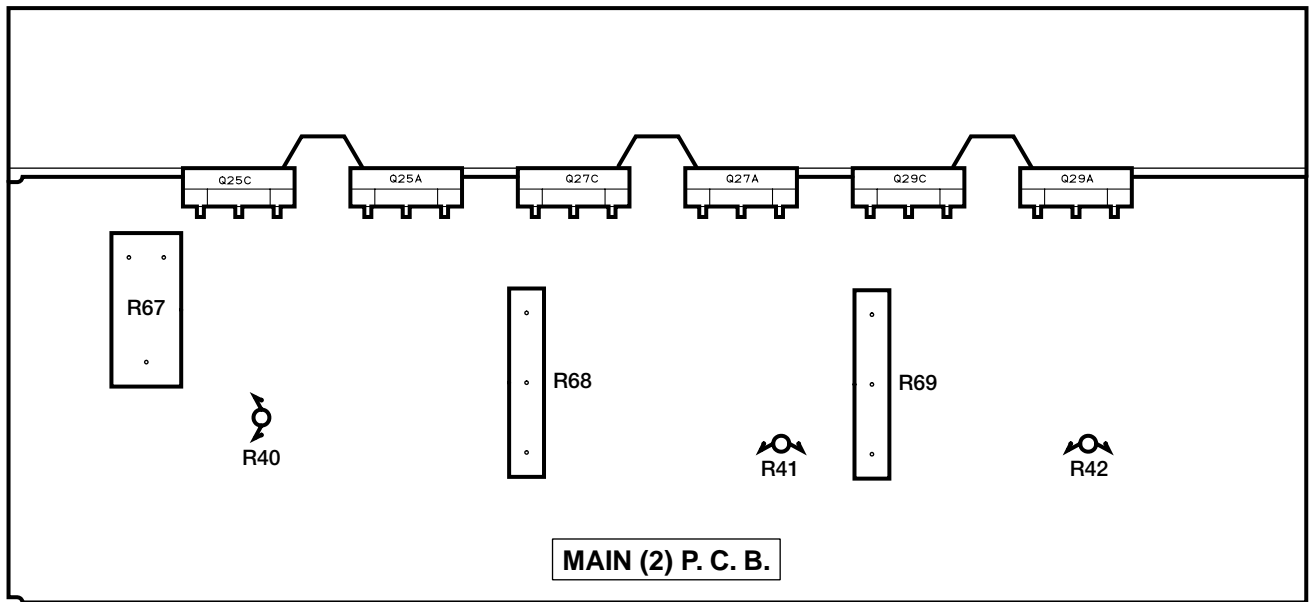
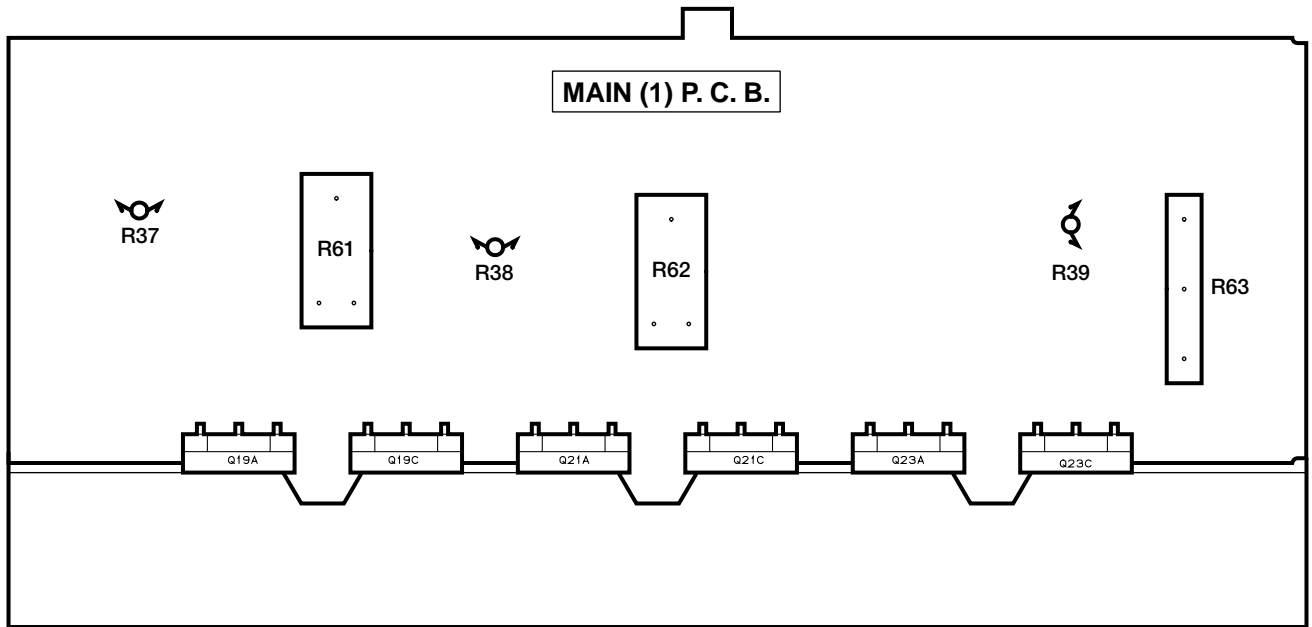
### Confirmation of Idling Current of Main (1) and (2) P.C.B.

- Right after power is turned on, confirm that the voltage across the terminals of R113 (Main Lch), R133 (Main Rch), R187 (Center), R151 (Rear Lch), R169 (Rear Rch), R972 (Rear Center) are between 0.1mV and 10.0mV.
- If it exceeds 10.0mV, open (cutoff) R106 (Main Lch), R126 (Main Rch), R183 (Center), R146 (Rear Lch), R164 (Rear Rch), R967 (Rear Cch) and reconfirm the voltage.
- Confirm that the voltage is 0.2 mV ~ 15.0 mV after 60 minutes.

### メイン(1)、(2) P.C.B.のアイドリング電流 の確認

- 電源投入直後、R61 (MAIN Lch)、R62 (MAIN Rch)、R67 (CENTER)、R68 (REAR Lch)、R69 (REAR Rch)、R63 (REAR Center)の端子間電圧を測定し、0.1mVから10.0mVの間であることを確認してください。
- 電圧が10mVを超えている場合は、R37 (MAIN Lch)、R38 (MAIN Rch)、R40 (CENTER)、R41 (REAR Lch)、R42 (REAR Rch)、R39 (REAR Cch)をカットし、電圧を再確認してください。
- 60分後、電圧が0.2mV~15.0mVであることを確認してください。

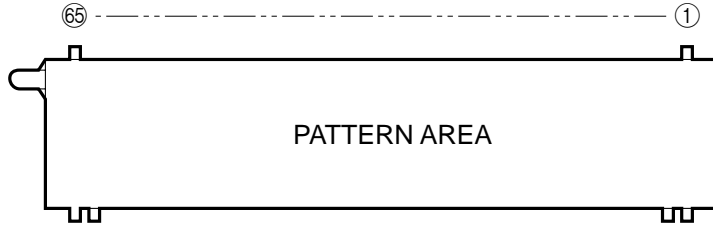




RX-V2300/DSP-AX2300  
RX-V1300/RX-V1300RDS/HTR-5590/DSP-AX1300

## ■ DISPLAY DATA

### ● V901 : 16-BT-104GK (V9388700)



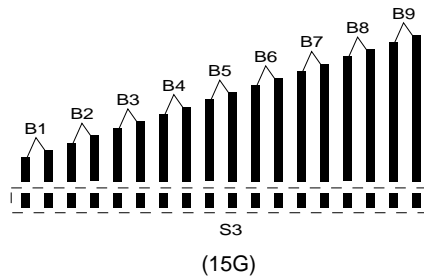
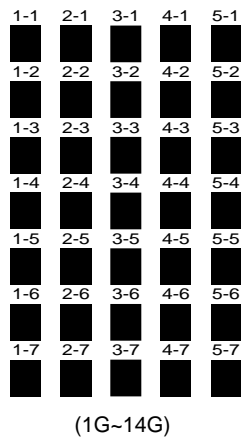
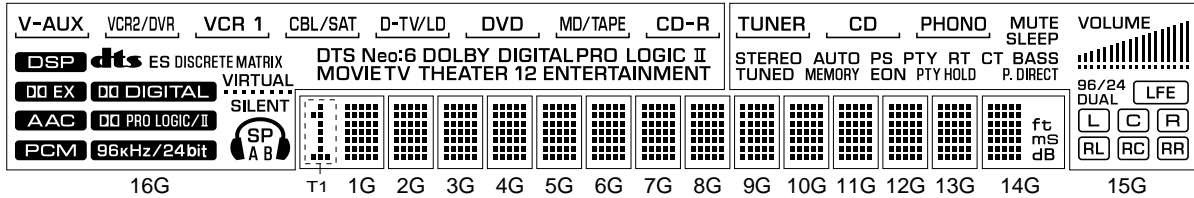
### ● PIN CONNECTION

Pin No.	65	64	63	62	61	60	59	58	57	56	55	54	53	52	51	50	49	48	47	46	45	44	43	42	41	40	39	38	37	36	35	34
Connection	F2	F2	NP	NP	P38	P37	P36	P35	P34	P33	P32	P31	P30	P29	P28	P27	P26	P25	P24	P23	P22	P21	P20	P19	P18	P17	P16	P15	P14	P13	P12	P11

Pin No.	33	32	31	30	29	28	27	26	25	24	23	22	21	20	19	18	17	16	15	14	13	12	11	10	9	8	7	6	5	4	3	2	1
Connection	P10	P9	P8	P7	P6	P5	P4	P3	P2	P1	NX	NX	NX	16G	15G	14G	13G	12G	11G	10G	9G	8G	7G	6G	5G	4G	3G	2G	1G	NP	NP	F1	F1


Note : 1) F1, F2 ..... Filament 2) NP ..... No pin 3) NX ..... No extended 4) 1G ~ 16G ..... Grid 5) P1 ~ 38 ..... Anode

### ● GRID ASSIGNMENT



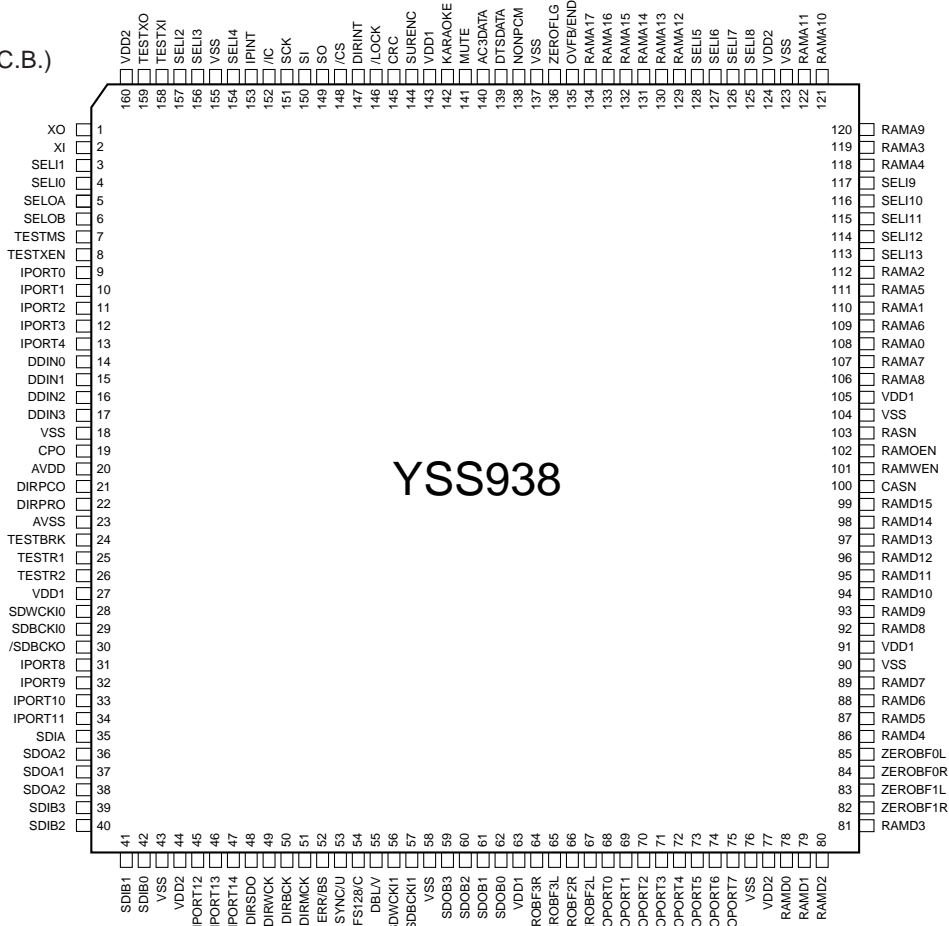


● ANODE CONNECTION

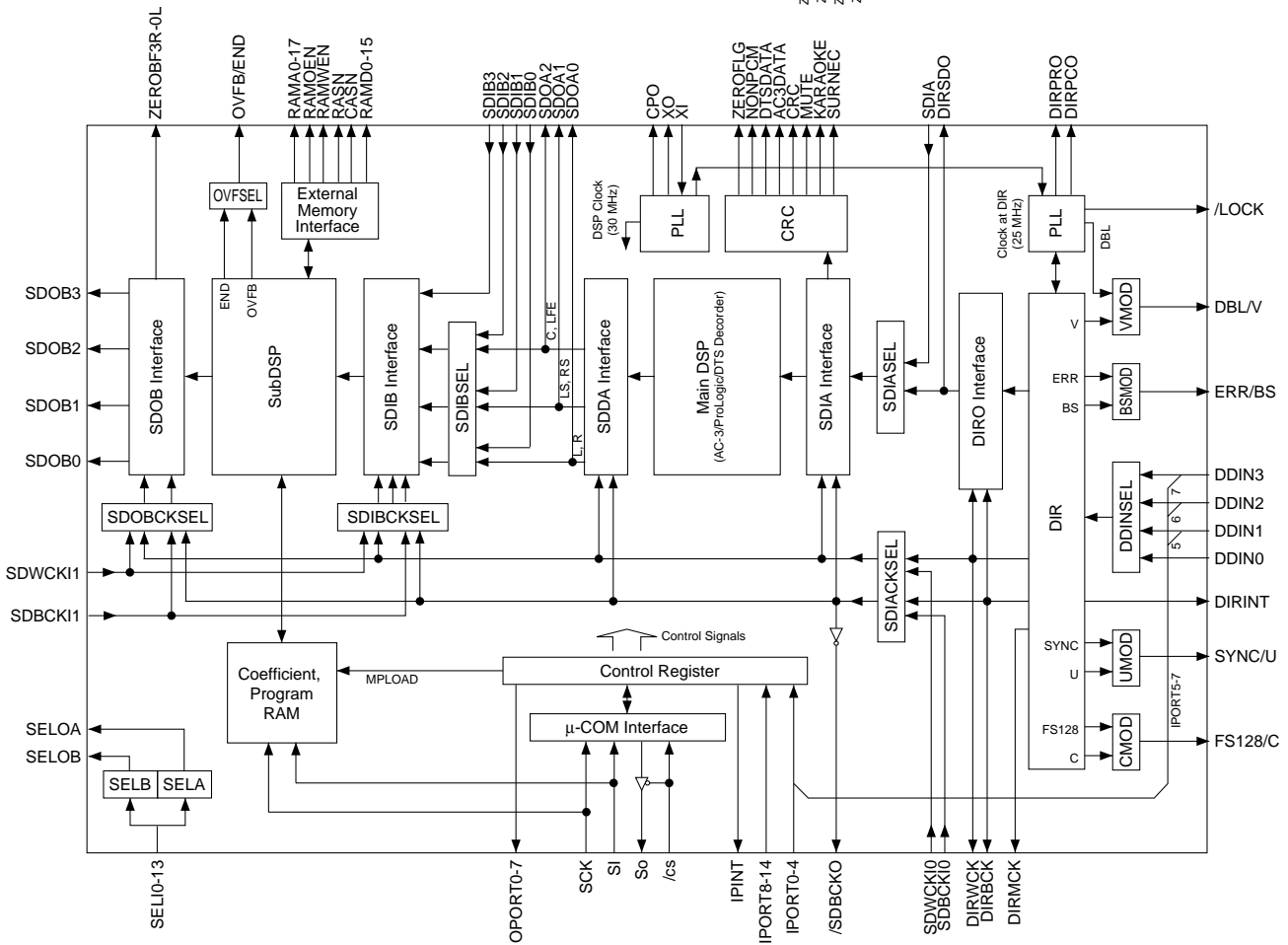
	16G	15G	14G	13G~2G	1G
P1	S2	S1	1-1	1-1	1-1
P2	<u>V-AUX</u>	<u>TUNER</u>	2-1	2-1	2-1
P3	<u>VCR2/DVR</u>	<u>CD</u>	3-1	3-1	3-1
P4	<u>VCR 1</u>	<u>PHONO</u>	4-1	4-1	4-1
P5	<u>CBL/SAT</u>	STEREO	5-1	5-1	5-1
P6	<u>D-TV/LD</u>	TUNED	1-2	1-2	1-2
P7	<u>DVD</u>	MEMORY	2-2	2-2	2-2
P8	<u>MD/TAPE</u>	AUTO	3-2	3-2	3-2
P9	<u>CD-R</u>	PS	4-2	4-2	4-2
P10	DTS	PTY	5-2	5-2	5-2
P11	Neo:6	RT	1-3	1-3	1-3
P12	DOLBY	CT	2-3	2-3	2-3
P13	DIGITAL	EON	3-3	3-3	3-3
P14	PRO LOGIC	PTY HOLD	4-3	4-3	4-3
P15	II	MUTE	5-3	5-3	5-3
P16	MOVIE	BASS	1-4	1-4	1-4
P17	TV	P. DIRECT	2-4	2-4	2-4
P18	THEATER	VOLUME	3-4	3-4	3-4
P19	1	S3	4-4	4-4	4-4
P20	2	B1	5-4	5-4	5-4
P21	ENTERTAINMENT	B2	1-5	1-5	1-5
P22	<b>DSP</b>	B3	2-5	2-5	2-5
P23	<b>DD EX</b>	B4	3-5	3-5	3-5
P24	<b>AAC</b>	B5	4-5	4-5	4-5
P25	<b>PCM</b>	B6	5-5	5-5	5-5
P26	<b>dts</b>	B7	1-6	1-6	1-6
P27	ES	B8	2-6	2-6	2-6
P28	DISCRETE	B9	3-6	3-6	3-6
P29	MATRIX	96/24	4-6	4-6	4-6
P30	<b>DD DIGITAL</b>	DUAL	5-6	5-6	5-6
P31	<b>DD PRO LOGIC/II</b>	<b>LFE</b>	1-7	1-7	1-7
P32	<b>96kHz/24 bit</b>	<b>L</b>	2-7	2-7	2-7
P33	<b>VIRTUAL</b>	<b>C</b>	3-7	3-7	3-7
P34	SILENT	<b>R</b>	4-7	4-7	4-7
P35		<b>RL</b>	5-7	5-7	5-7
P36	SP	<b>RC</b>	ft	-	T1
P37	A	<b>RR</b>	ms	-	-
P38	B	SLEEP	dB	-	-

IC DATA

IC514 : YSS938 (DSP P.C.B.)  
 DSP



YSS938



RX-V2300/DSP-AX2300  
 RX-V1300/RX-V1300RDS/HTR-5590/DSP-AX1300

IC514 : YSS938 (DSP P.C.B.)

DSP

No.	Name	I/O	Function
1	XO	O	Crystal oscillator connecting terminal
2	XI	I	Crystal oscillator connecting terminal (24.576MHz)
3	SEL11	I+	Built-in selector input 1 (AXD)
4	SEL10	I+	Built-in selector input 0 (GND)
5	SELOA	O+	Built-in selector output A (ISEL)
6	SELOB	O+	Built-in selector output B (RSEL)
7	TESTMS	I+	Test terminal (unconnected)
8	TESTXEN	I+	Test terminal (unconnected)
9	IPORT0	I+	General purpose input terminal (CXDTA)
10	IPORT1	I+	General purpose input terminal (CXDTB)
11	IPORT2	I+	General purpose input terminal
12	IPORT3	I+	General purpose input terminal
13	IPORT4	I+	General purpose input terminal
14	DDIN0	Is	DIR: Digital audio interface data input terminal 0 (ISEL)
15	DDIN1	Is	DIR: Digital audio interface data input terminal 1/General purpose input terminal (Pull down)
16	DDIN2	Is	DIR: Digital audio interface data input terminal 2/General purpose input terminal (Pull down)
17	DDIN3	Is	DIR: Digital audio interface data input terminal 3/General purpose input terminal (Pull down)
18	VSS		Ground terminal
19	CPO	A	PLL filter connecting terminal
20	AVDD		+3.3V power terminal (for DIR)
21	DIRPCO	A	DIR: PLL filter connecting terminal
22	DIRPRO	A	DIR: PLL filter connecting terminal
23	AVSS		Ground terminal (for DIR)
24	TESTBRK	I+	Test terminal (unconnected)
25	TESTR1	I+	PLL initialization signal input terminal for DSP (/ICD)
26	TESTR2	I+	Test terminal (unconnected)
27	VDD1		+3.3V power terminal (for terminal section)
28	SDWCKI0	I+	Word clock input terminal for SDIA, SDOA, SDIB, SDOB interface (Unconnected)
29	SDBCKI0	I+	Bit clock input terminal for SDIA, SDOA, SDIB, SDOB interface (Unconnected)
30	/SDBCK0	O	DIRBCK or SDBCKI0 invert clock output terminal (Unconnected)
31	IPORT8	I+	IPINT general purpose input terminal
32	IPORT9	I+	IPINT general purpose input terminal
33	IPORT10	I+	IPINT general purpose input terminal (NONPCM)
34	IPORT11	I+	IPINT general purpose input terminal (NONPCM)
35	SDIA	I	AC-3/DTS bit stream (or PCM) data input terminal to Main DSP (SDIA)
36	SDOA2	O	PCM output terminal from Main DSP (C/LFE output) (Unconnected)
37	SDOA1	O	PCM output terminal from Main DSP (LS/RS output) (Unconnected)
38	SDOA0	O	PCM output terminal from Main DSP (L/R output)
39	SDIB3	I+	PCM input terminal 3 to Sub DSP
40	SDIB2	I+	PCM input terminal 2 to Sub DSP
41	SDIB1	I+	PCM input terminal 1 to Sub DSP
42	SDIB0	I+	PCM input terminal 0 to Sub DSP
43	VSS		Ground terminal
44	VDD2		+2.5V power terminal (for internal circuit)
45	IPORT12	I+	IPINT general purpose input terminal (MUTE)
46	IPORT13	I+	IPINT general purpose input terminal (DIRINT)
47	IPORT14	I+	IPINT general purpose input terminal (Unconnected)
48	DIRSDO	O	AC-3/DTS bit stream (or PCM) data output terminal from DIR
49	DIRWCK	O	DIR: Serial data word clock (fs) output terminal (WCK)
50	DIRBCK	O	DIR: Serial data bit clock (64fs) output terminal (BCK)
51	DIRMCK	O	DIR: Serial data master clock (256fs or 128fs) output terminal (MCK)
52	ERR/BS	O	DIR: Data error detect output/block start output terminal (Unconnected)
53	SYNC/U	O	DIR: Serial data synchronous timing output/user data output terminal (Unconnected)
54	FS128/C	O	DIR: Serial data master clock 128fs output/channel status output terminal (Unconnected)
55	DBL/V	O	DIR: Double rate clock output/validity flag output terminal (DBL)

No.	Name	I/O	Function
56	SDWCKI1	I+	Word clock input terminal for SDIB, SDOB interface (Unconnected)
57	SDBCKI1	I+	Bit clock input terminal for SDIB, SDOB interface (Unconnected)
58	VSS		Ground terminal
59	SDOB3	O	PCM output terminal from Sub DSP
60	SDOB2	O	PCM output terminal from Sub DSP
61	SDOB1	O	PCM output terminal from Sub DSP
62	SDOB0	O	PCM output terminal from Sub DSP
63	VDD1		+3.3V power terminal (for terminal section)
64	ZEROBF3R	O+	SDOB3 Rch zero flag output terminal (ZF3R)
65	ZEROBF3L	O+	SDOB3 Lch zero flag output terminal (ZF3L)
66	ZEROBF2R	O+	SDOB2 Rch zero flag output terminal (ZF2R)
67	ZEROBF2L	O+	SDOB2 Lch zero flag output terminal (ZF2L)
68	OPORT0	O	General purpose output terminal (/RINH1)
69	OPORT1	O	General purpose output terminal (/RINH2)
70	OPORT2	O	General purpose output terminal (/ICCDC)
71	OPORT3	O	General purpose output terminal (DFS)
72	OPORT4	O	General purpose output terminal (ZSEL0)
73	OPORT5	O	General purpose output terminal (ZSEL1)
74	OPORT6	O	General purpose output terminal (/ICCS)
75	OPORT7	O	General purpose output terminal
76	VSS		Ground terminal
77	VDD2		+2.5V power terminal (for internal circuit)
78	RAMD0	I+/O	Sub DSP: External memory data terminal 0
79	RAMD1	I+/O	Sub DSP: External memory data terminal 1
80	RAMD2	I+/O	Sub DSP: External memory data terminal 2
81	RAMD3	I+/O	Sub DSP: External memory data terminal 3
82	ZEROBF1R	O+	SDOB1 Rch zero flag output terminal (ZF1R)
83	ZEROBF1L	O+	SDOB1 Lch zero flag output terminal (ZF1L)
84	ZEROBF0R	O+	SDOB0 Rch zero flag output terminal (ZF0R)
85	ZEROBF0L	O+	SDOB0 Lch zero flag output terminal (ZF0L)
86	RAMD4	I+/O	Sub DSP: External memory data terminal 4
87	RAMD5	I+/O	Sub DSP: External memory data terminal 5
88	RAMD6	I+/O	Sub DSP: External memory data terminal 6
89	RAMD7	I+/O	Sub DSP: External memory data terminal 7
90	VSS		Ground terminal
91	VDD1		+3.3V power terminal (for terminal section)
92	RAMD8	I+/O	Sub DSP: External memory data terminal 8
93	RAMD9	I+/O	Sub DSP: External memory data terminal 9
94	RAMD10	I+/O	Sub DSP: External memory data terminal 10
95	RAMD11	I+/O	Sub DSP: External memory data terminal 11
96	RAMD12	I+/O	Sub DSP: External memory data terminal 12
97	RAMD13	I+/O	Sub DSP: External memory data terminal 13
98	RAMD14	I+/O	Sub DSP: External memory data terminal 14
99	RAMD15	I+/O	Sub DSP: External memory data terminal 15
100	CASN	O	Sub DSP: Column address strobe output terminal for external DRAM
101	RAMWEN	O	Sub DSP: Write enable terminal for external memory
102	RAMOEN	O	Sub DSP: Output enable terminal for external memory
103	RASN	O	Sub DSP: Low address strobe output terminal for external DRAM
104	VSS		Ground terminal
105	VDD1		+3.3V power terminal (for terminal section)
106	RAMA8	O	Sub DSP: External memory address terminal 8
107	RAMA7	O	Sub DSP: External memory address terminal 7
108	RAMA0	O	Sub DSP: External memory address terminal 0
109	RAMA6	O	Sub DSP: External memory address terminal 6
110	RAMA1	O	Sub DSP: External memory address terminal 1

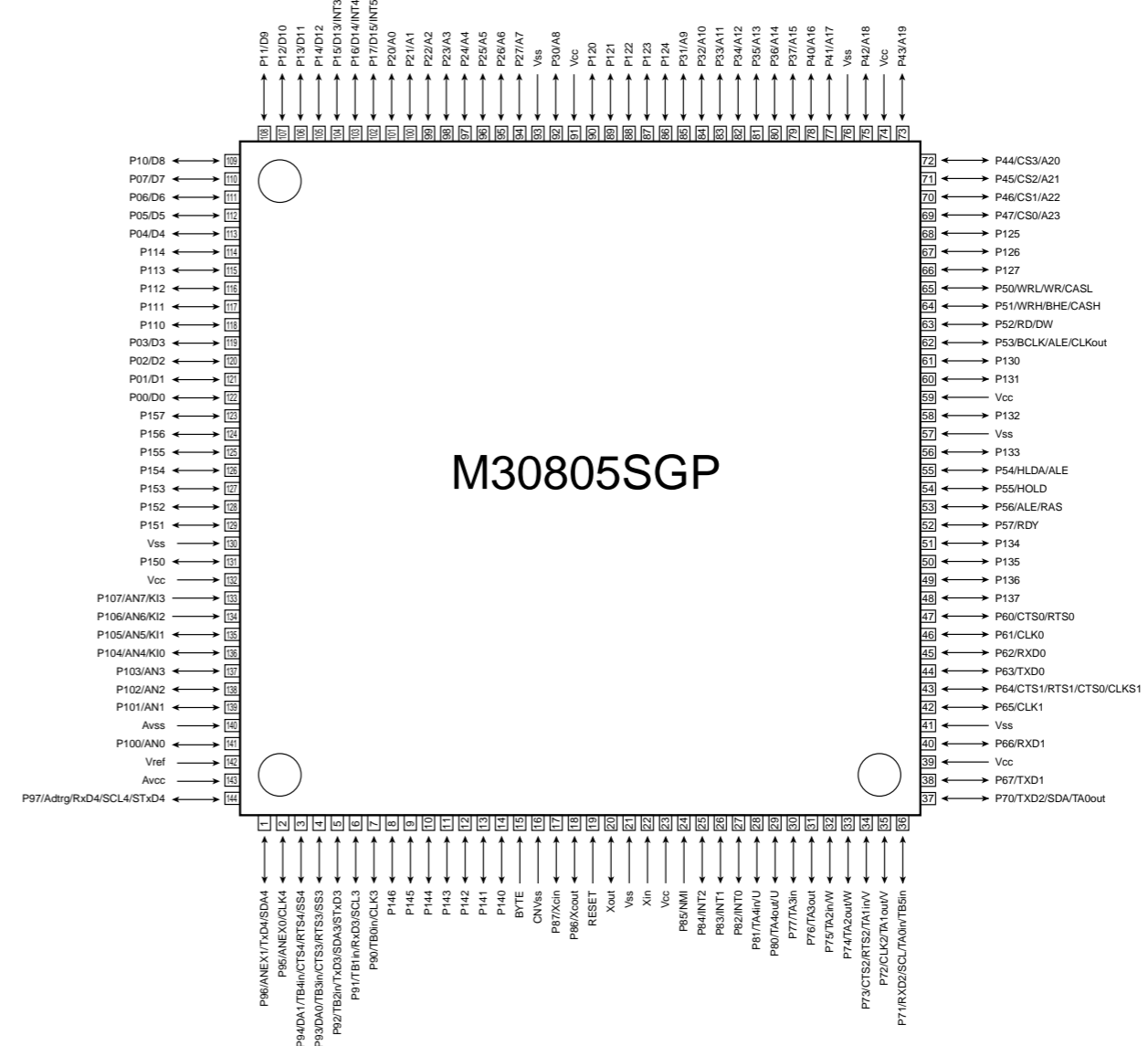
**RX-V2300/DSP-AX2300**  
**RX-V1300/RX-V1300RDS/HTR-5590/DSP-AX1300**

IC514 : YSS938 (DSP P.C.B.)  
 DSP

No.	Name	I/O	Function
111	RAMA5	O	Sub DSP: External memory address terminal 5
112	RAMA2	O	Sub DSP: External memory address terminal 2
113	SELI13	I+	Built-in selector input 13 (Unconnected)
114	SELI12	I+	Built-in selector input 12
115	SELI11	I+	Built-in selector input 11 (Unconnected)
116	SELI10	I+	Built-in selector input 10 (Unconnected)
117	SELI9	I+	Built-in selector input 9
118	RAMA4	O	Sub DSP: External memory address terminal 4
119	RAMA3	O	Sub DSP: External memory address terminal 3
120	RAMA9	O	Sub DSP: External memory address terminal 9 (Unconnected)
121	RAMA10	O	Sub DSP: External memory address terminal 10 (Unconnected)
122	RAMA11	O	Sub DSP: External memory address terminal 11 (Unconnected)
123	VSS		Ground terminal
124	VDD2		+2.5V power terminal (for internal circuit)
125	SELI8	I+	Built-in selector input 8 (CXA)
126	SELI7	I+	Built-in selector input 7 (GND)
127	SELI6	I+	Built-in selector input 6 (OPTF)
128	SELI5	I+	Built-in selector input 5 (Unconnected)
129	RAMA12	O	Sub DSP: External memory address terminal 12 (Unconnected)
130	RAMA13	O	Sub DSP: External memory address terminal 13 (Unconnected)
131	RAMA14	O	Sub DSP: External memory address terminal 14 (Unconnected)
132	RAMA15	O	Sub DSP: External memory address terminal 15 (Unconnected)
133	RAMA16	O	Sub DSP: External memory address terminal 16 (Unconnected)
134	RAMA17	O	Sub DSP: External memory address terminal 17 (Unconnected)
135	OVFB/END	O	Sub DSP: Overflow/program end detect terminal (Unconnected)
136	ZEROFLG	O	Main DSP: Zero flag output terminal (Unconnected)
137	VSS		Ground terminal
138	NONPCM	O	Main DSP: Non-PCM data detect terminal
139	DTSDATA	O	Main DSP: DTS data detect terminal (Unconnected)
140	AC3DATA	O	Main DSP: AC3 data detect terminal (Unconnected)
141	MUTE	O	Main DSP: Auto mute detect terminal
142	KARAOKE	O	Main DSP: AC3 KARAOKE data detect terminal (Unconnected)
143	VDD1	+3.3V	power terminal (for terminal section)
144	SURENC	O	Main DSP: AC-3 2/0 mode Dolby surround encode input detect terminal (Unconnected)
145	CRC	O	Main DSP: AC3 CRC error detect terminal (Unconnected)
146	/LOCK	O	DIR: PLL lock detect terminal (Unconnected)
147	DIRINT	O	DIR: Interrupt output terminal
148	/CS	Is	Microprocessor interface chip select input terminal (CSY)
149	SO	Ot	Microprocessor interface data output terminal
150	SI	Is	Microprocessor interface data input terminal (SDM)
151	SCK	Is	Microprocessor interface clock input terminal (SCKY)
152	/IC	Is	Initial clear input terminal (/ICD)
153	IPINT	O+	Interrupt output terminal by IPORT 8-14
154	SELI4	I+	Built-in selector input 4 (OPTD)
155	VSS		Ground terminal
156	SELI3	I+	Built-in selector input 3 (OPTC)
157	SELI2	I+	Built-in selector input 2 (OPTB)
158	TESTXI	I	Test terminal (should be always connected to VSS)
159	TESTXO	O	Test terminal (Unconnected)
160	VDD2	+2.5V	power terminal (for internal circuit)

Is: Schmidt trigger input terminal  
 I+: Input terminal with pull-up resistor  
 O: Digital output terminal  
 Ot: 3-state digital output terminal  
 A: Analog terminal

IC520 : M30805SGP (FUNCTION P.C.B.)  
 16bit μ-COM (Main CPU)



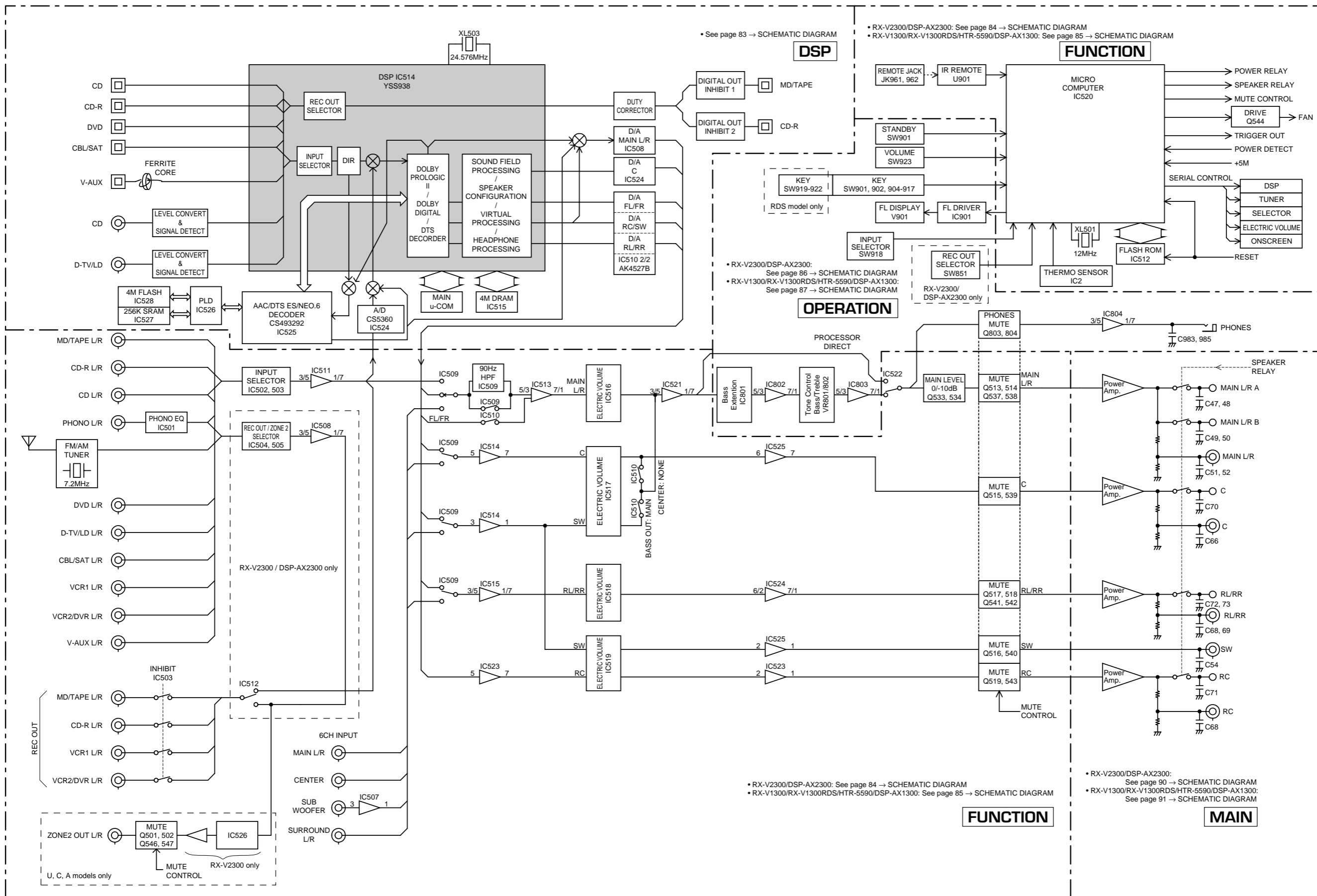
No.	Port No.	Function name	I/O	Detail of function	Power ON	Power OFF	Backup
1	TxD4	TXDR	SO	232C transmission data / Yokokawa data transmission	O	OL	OL
2	CLK4	RTS	SCK	232C RTS output / Yokokawa clock input	I/O	OL	OL
3	P94	CTS	I	232C CTS input	I	I	OL
4	DA0	FAN	DA/O	Fan control	I	I	OL
5	TxD3	SDTN	SO	NONE AUDIO serial transmission data	SO	OL	OL
6	RxD3	RXRDS	SI	RDS reception / FREQ SW (R VER)	SI	I	OL
7	CLK3	SCKN	SCK	NONE AUDIO serial clock	SCK	OL	OL
8	P146	CEB	O/I	BU2092 CE / ZONE 2 presence/absence	I/O	I/OL	OL
9	P145	CES	O/I	On-screen enable output / N/P format discrimination	I/O	I/OL	OL
10	P144	RDSE	O/I	RDS enable / RDS presence/absence	I/O	I/OL	OL
11	P143	CEF	I/O	FL enable / Model type discrimination 0	I/O	I/OL	OL
12	P142	/FLR	I/O	FL IC reset / Model type discrimination 1	O	OL	OL
13	P141	RDTP	I	PLL IC reception data	I	I	OL
14	P140	SDTP	I/O	PLL IC transmission data / TUNER discrimination	I/O	OL	OL
15	BYTE	BYTE	Vss	Vss: when 16 bit data used	Vss	Vss	Vss
16	CNVss	CNVss	Vcc	Vcc: when in microprocessor mode	Vcc	Vcc	Vcc
17	P87	BT232C	I	Boot terminal for RS-232C / 6ch input key	I	I	OL
18	P86	BTYDC	I	Boot terminal for Yokokawa tool	I	I	OL
19	RESET	RESET	I	Reset			
20	Xout	Xout	OPEN	Oscillation output			
21	Vss	Vss	Vss	Ground for microprocessor			

IC520 : M30805SGP (FUNCTION P.C.B)  
16bit  $\mu$ -COM (Main CPU)

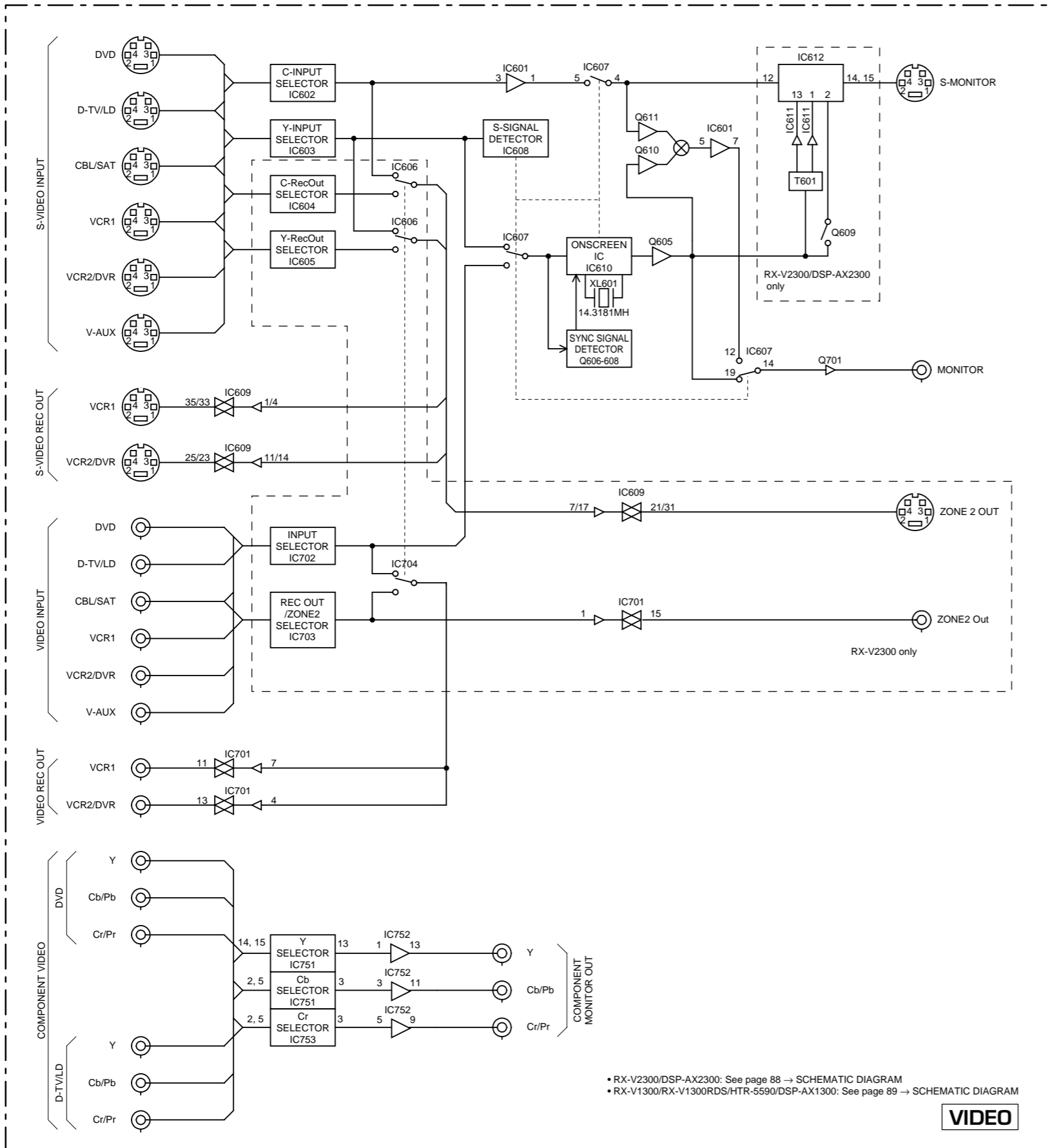
No.	Port No.	Function name	I/O	Detail of function	Power ON	Power OFF	Backup
22	Xin	Xin	12MHz	Oscillation input			
23	Vcc	Vcc	Vcc	Power for microprocessor +5V			
24	NMI	NMI		Unused			
25	INT2	REM1	INT (LO edge)	Remote control pulse input	I	I	OL
26	INT1	PSW	INT (HI edge)	Power switch	I	I	OL
27	INT0	PDET	INT (LO edge)	Power detect	I	I	I
28	TA4in	VSY	LO edge	Vertical oscillation detect	I	I	OL
29	P80	/ICD	O	IC DSP IC	O	OL	OL
30	TA3in	RXDR	both edge	232C reception data	I	I	OL
31	P76	DMT	O	Digital full mute	O	OL	OL
32	TA2in	INT938	LO edge	YSS938 input	I	I	OL
33		DMTR	O	Digital full mute rear L/R	O	OL	OL
34	P73	CEP	I/O	PLL IC enable / Tuner step 1	I/O	I/OL	OL
35	P72	SCKP	I/O	PLL IC clock / Tuner step 0	I/O	I/OL	OL
36	SCL	SCL	I/O	IIC bus clock	SCL	SCL	OL
37	SDA	SDA	I/O	IIC bus data	SDA	SDA	OL
38	TXD1	SDM	SO	DSP IC transmission data	SO	OL	OL
39	Vcc	Vcc	Vcc	Power for microprocessor +5V			
40	RXD1	SDD	SI	DSP IC reception data	SI	I	OL
41	Vss	Vss	Vss	Ground for microprocessor			
42	P65	SCK	SCK	DSP IC clock	SCK	OL	OL
43	P54	/CSY	O	YSS938 CE	O	OL	OL
44	TXD0	DTEV	O	EVOL serial transmission data	SO	OL	OL
45	P62	CEEV	O	EVOL enable	O	OL	OL
46	CLK0	CKEV	SCK	EVOL serial clock	SCK	OL	OL
47	P60	/CSCS	O	CS493x CS	O	OL	OL
48	P137	/CSPLD	O	Digital external control IC CE	O	OL	OL
49	P136	CSINT	I/O	CS-DSP INT / ABOOT	I/O	OL	OL
50	P135	/MLV	O	Main level	O	OL	OL
51	P134	/MATT	O	Main -3dB	O	OL	OL
52							HI
53			OPEN				HI
54			Vcc				HI
55			OPEN				HI
56	P133	/BEC	O	Bus extension control	O	OL	OL
57	Vss	Vss	Vss	Ground for microprocessor			
58	P132	/ICEV	O	EVOL DC bias initialize	O	OL	OL
59	Vcc	Vcc	Vcc	Power for microprocessor +5V			
60	P131	LIMB	O	Power limiter B	O	OL	OL
61	P130	LIMA	O	Power limiter A	O	OL	OL
62			OPEN				HI
63	RD			OE			HI
64	WRH						HI
65	WRL			WE			HI
66	P127	LCIN	O	LED output cinema DSP	O	OL	OL
67	P126	LDTS	O	LED output DTS	O	OL	OL
68	P125	LDBY	O	LED output DOLBY	O	OL	OL
69	CS0						KEEP
70			OPEN				KEEP
71			OPEN				KEEP
72			OPEN				KEEP
73	A19		OPEN				KEEP
74	Vcc	Vcc	Vcc	Power for microprocessor +5V			
75	A16		OPEN				KEEP
76	Vss	Vss	Vss	Ground for microprocessor			
77	A17						KEEP
78	A16						KEEP
79	A15						KEEP
80	A14						KEEP
81	A13						KEEP
82	A12						KEEP
83	A11						KEEP

No.	Port No.	Function name	I/O	Detail of function	Power ON	Power OFF	Backup
84	A10						KEEP
85	A9						KEEP
86	P124	/Z2MT	O	Zone 2 mute	O	OL	OL
87	P123	/HPMT	O	Head phone mute	O	OL	OL
88	P122	/FMST	O	Full mute SWL/SWR/SW MONO	O	OL	OL
89	P121	/FMTC	O	Full mute center	O	OL	OL
90	P120	/FMTM	O	Full mute main L/R, RL/RC/RR	O	OL	OL
91	Vcc	Vcc	Vcc	Power for microprocessor +5V			
92	A8						KEEP
93	Vss	Vss	Vss	Ground for microprocessor			
94	A7						KEEP
95	A6						KEEP
96	A5						KEEP
97	A4						KEEP
98	A3						KEEP
99	A2						KEEP
100	A1						KEEP
101	A0						KEEP
102	D15						KEEP
103	D14						KEEP
104	D13						KEEP
105	D12						KEEP
106	D11						KEEP
107	D10						KEEP
108	D9						KEEP
109	D8						KEEP
110	D7						KEEP
111	D6						KEEP
112	D5						KEEP
113	D4						KEEP
114	P114	PRI	I	Current protection	I	I	I
115	P113	PRY	O	Power relay	O	OL	OL
116	P112	SPE	O	Speaker relay effect	O	OL	OL
117	P111	SPB	O	Speaker relay main B	O	OL	OL
118	P110	SPA	O	Speaker relay main A	O	OL	OL
119	D3						KEEP
120	D2						KEEP
121	D1						KEEP
122	D0						KEEP
123	P157	VRB	I(PU)	Volume, rotary B	I	I	OL
124	P156	VRA	I(PU)	Volume, rotary A	I	I	OL
125	P155	ISB	I(PU)	Input selector B	I	I	OL
126	P154	ISA	I(PU)	Input selector A	I	I	OL
127	P153	SCKA	SCK	Clock output for audio IC	O	OL	OL
128	P152	SDTA	SO	Data output for audio IC	O	OL	OL
129	P151	CEL	O	Enable output for SANYO audio IC	O	OL	OL
130	Vss	Vss	Vss	Ground for microprocessor			
131	P150	/ICC	O	IC CS49329	O	O	OL
132	Vcc	Vcc	Vcc	Power for microprocessor +5V			
133	P107	/HP	I	Head phone detect	I	I	I
134	AN6	REC	AD	REC OUT selector	I	I	I
135	AN5	PREMT	AD	Power limiter detect	I	I	I
136	AN4	ADKEY1	AD	KEY tact switch 1	I	I	I
137	AN3	ADKEY0	AD	KEY tact switch 0	I	I	I
138	AN2	THM	AD	Temperature detect	I	I	I
139	AN1	PRD	AD	Power amplifier DC protection	I	I	I
140	Avss	Avss	Vss	AD ground	Vss	Vss	Vss
141	AN0	PRV	AD	Power supply protection	I	I	I
142	Vref	Vref	Vcc	AD reference	Vcc	Vcc	Vcc
143	Avcc	Avcc	Vcc	AD power supply	Vcc	Vcc	Vcc
144	RxD4	RXDR	SI	232C reception data / Yokokawa data reception	I	I	OL

**BLOCK DIAGRAM (1/2)**

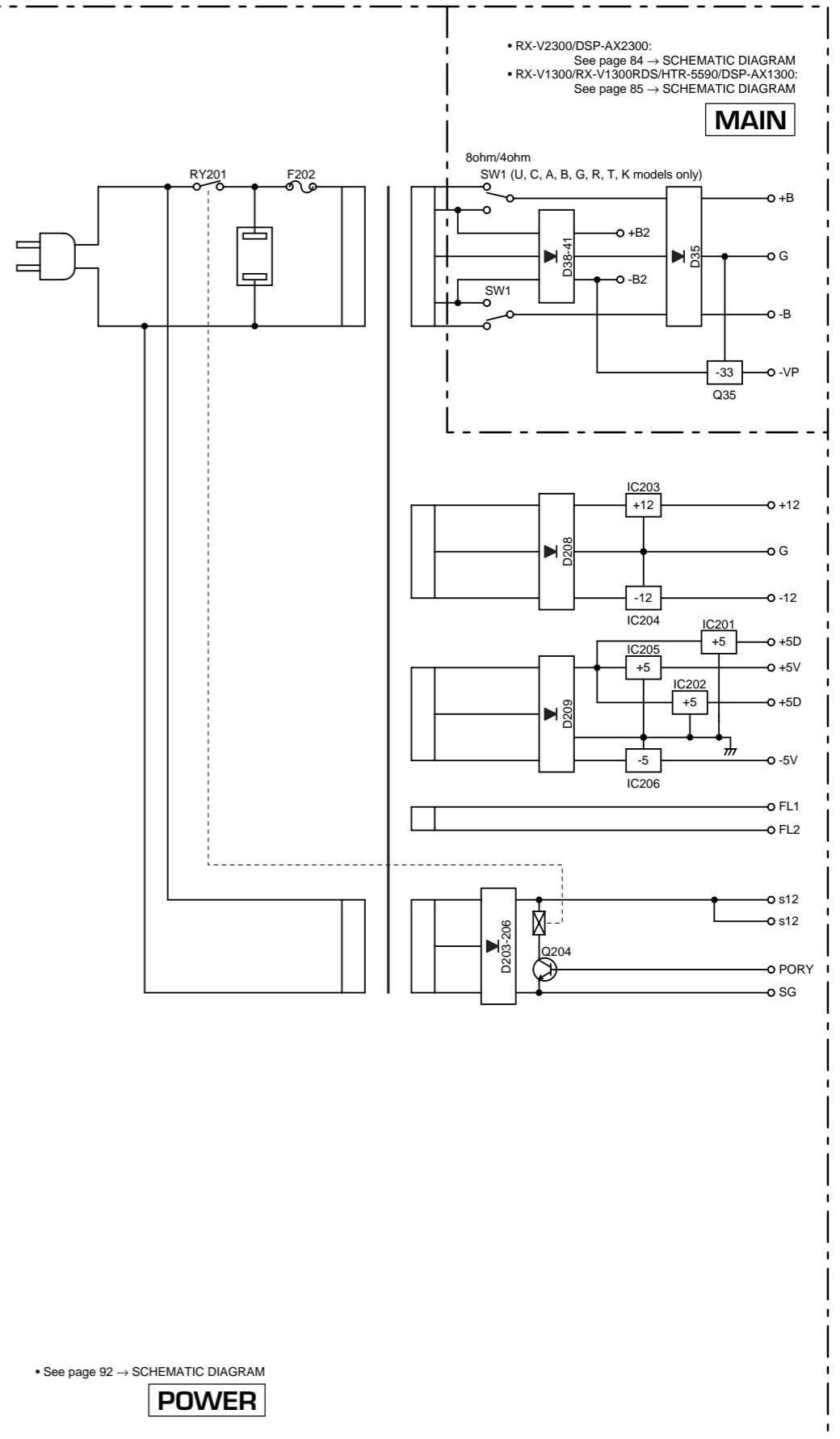


1 ■ BLOCK DIAGRAM (2/2)



• RX-V2300/DSP-AX2300: See page 88 → SCHEMATIC DIAGRAM  
 • RX-V1300/RX-V1300RDS/HTR-5590/DSP-AX1300: See page 89 → SCHEMATIC DIAGRAM

VIDEO



• See page 92 → SCHEMATIC DIAGRAM

POWER

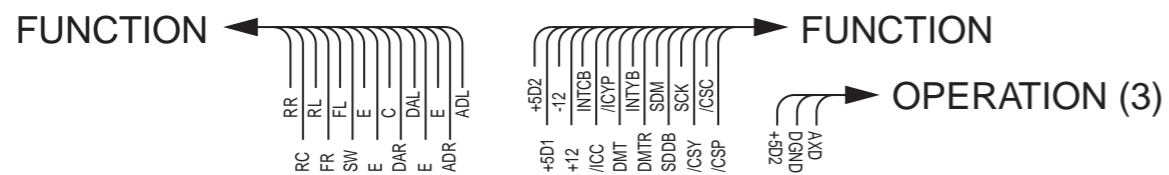
MAIN

• RX-V2300/DSP-AX2300: See page 84 → SCHEMATIC DIAGRAM  
 • RX-V1300/RX-V1300RDS/HTR-5590/DSP-AX1300: See page 85 → SCHEMATIC DIAGRAM

PRINTED CIRCUIT BOARD (Foil side) **RX-V2300/DSP-AX2300**

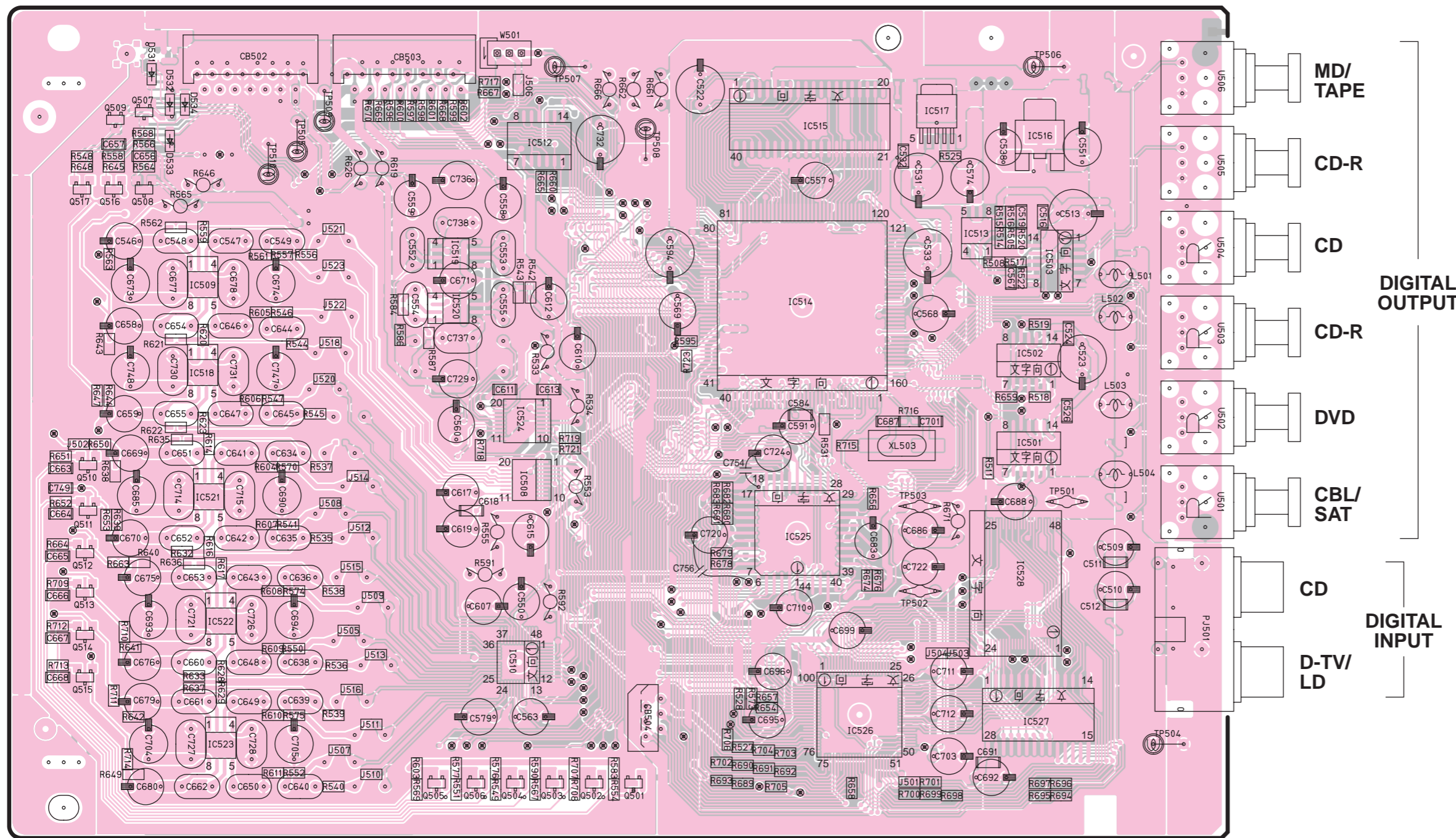
**RX-V1300/RX-V1300RDS/HTR-5590/DSP-AX1300**

DSP P. C. B. (Lead Type Device)



• Semiconductor Location

Ref. No.	Location
D531	B3
D532	B3
D533	B3
D534	B3
IC501	F5
IC502	F4
IC503	G4
IC508	D5
IC509	B4
IC510	D6
IC512	B3
IC513	F4
IC514	E4
IC515	E3
IC516	F3
IC517	F3
IC518	B4
IC519	C4
IC520	C4
IC521	B5
IC522	B6
IC523	B6
IC524	D5
IC525	E5
IC526	E6
IC527	F6
IC528	F5
Q501	D6
Q502	D6
Q503	D6
Q504	D6
Q505	C6
Q506	C6
Q507	B3
Q508	B3
Q509	A3
Q510	A5
Q511	A5
Q512	A5
Q513	A5
Q514	A6
Q515	A6
Q516	A3
Q517	A3



DIGITAL OUTPUT

DIGITAL INPUT



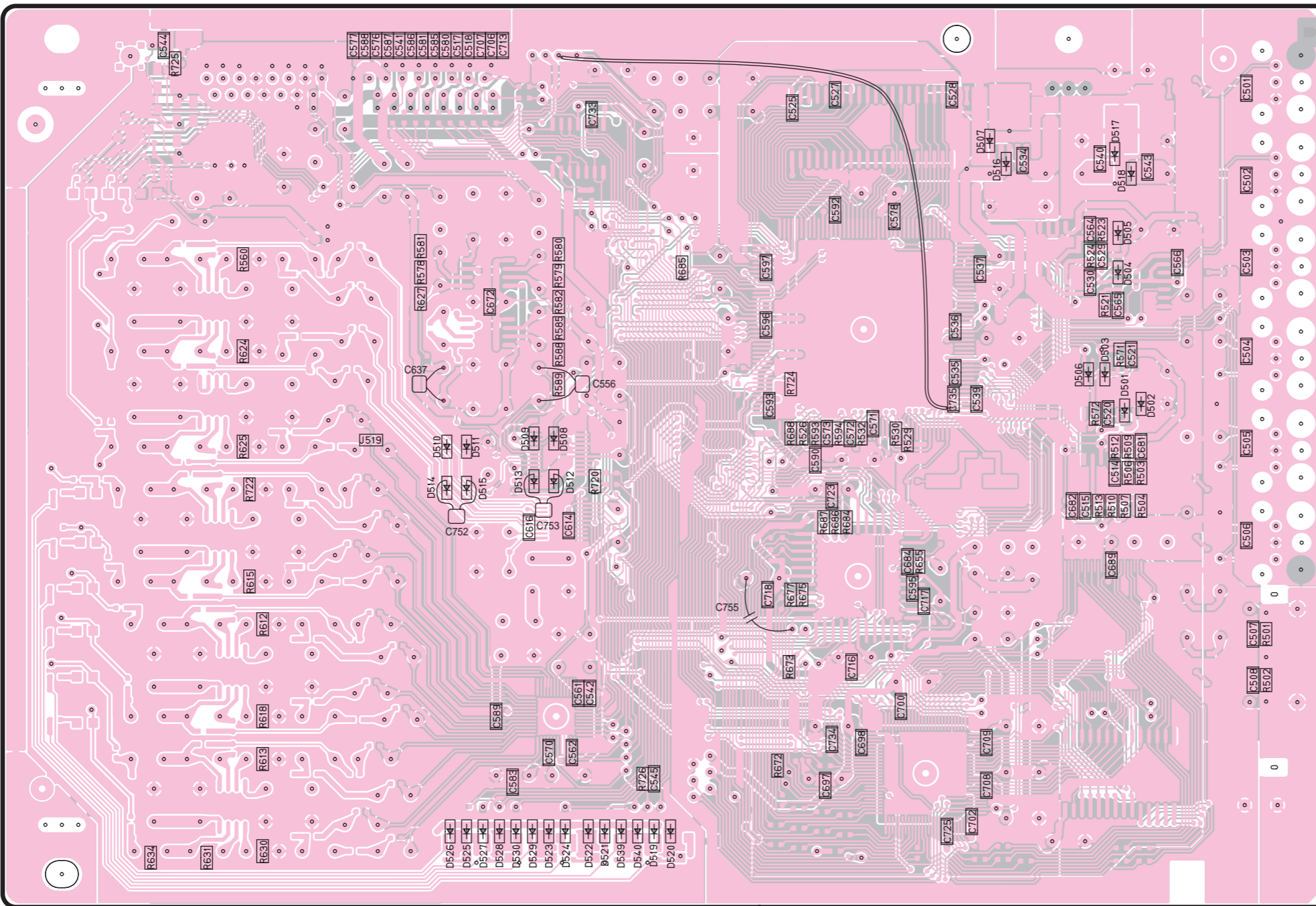
1  
2  
3  
4  
5  
6  
7

**PRINTED CIRCUIT BOARD (Foil side)**

**RX-V2300/DSP-AX2300**

**RX-V1300/RX-V1300RDS/HTR-5590/DSP-AX1300**

**DSP P. C. B.** (Surface Mount Device)



• Semiconductor Location

Ref. No.	Location
D501	F4
D502	F4
D503	F4
D504	F3
D505	F3
D506	F4
D507	F2
D508	D4
D509	C4
D510	C4
D511	C4
D512	D4
D513	C4
D514	C4
D515	C4
D516	F3
D517	F3
D518	F3
D519	D6
D520	D6
D521	D6
D522	D6
D523	D6
D524	D6
D525	C6
D526	C6
D527	C6
D528	C6
D529	C6
D530	C6
D539	D6
D540	D6

Circuit No.	U	C	A	B	G	R	T	K	J
R688									X

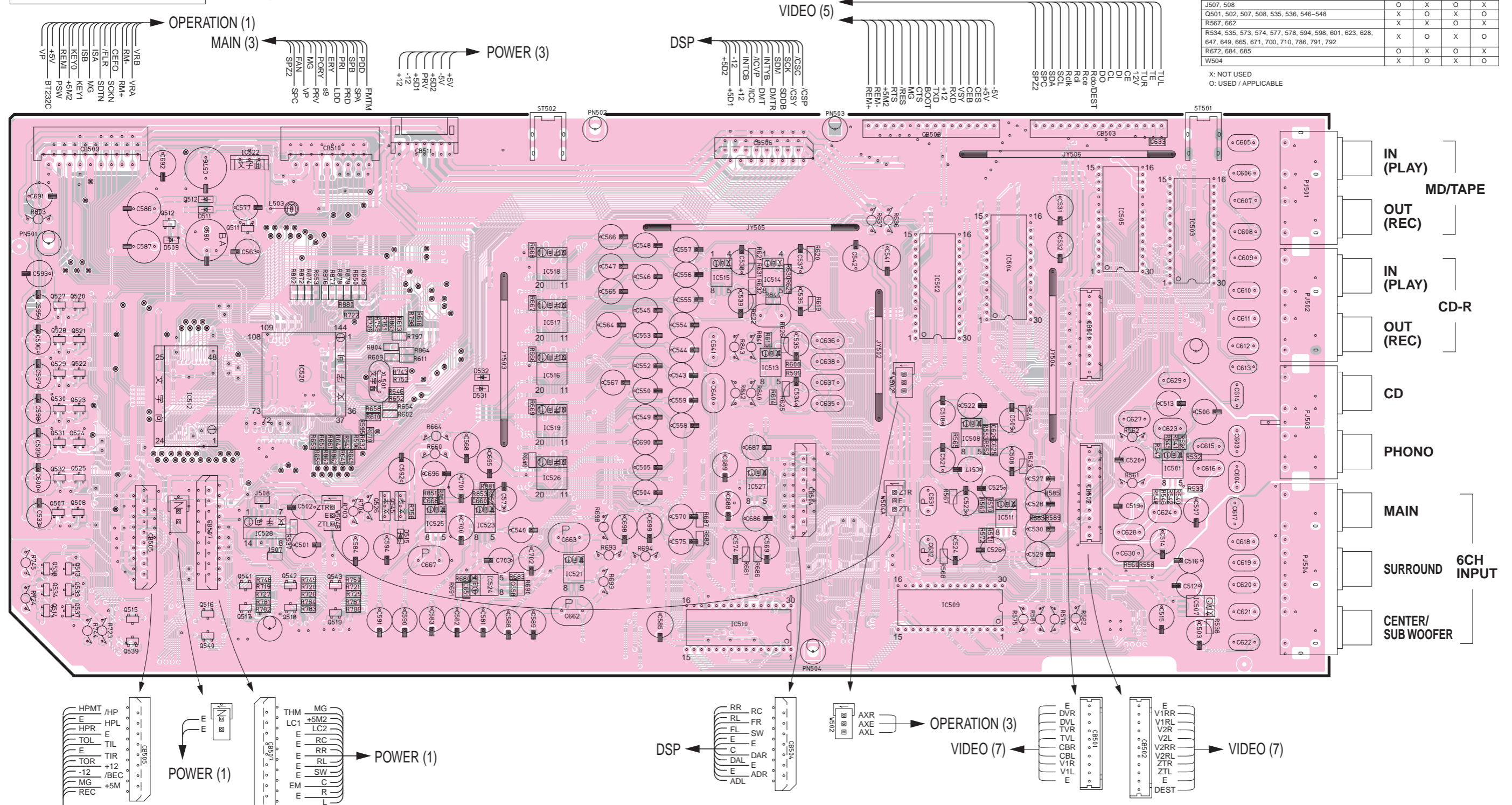
X: NOT USED  
O: USED / APPLICABLE

PRINTED CIRCUIT BOARD (Foil side) **RX-V2300/DSP-AX2300**

FUNCTION P. C. B. (Lead Type Device)

Circuit No.	J	U, C	R, T, K	A
C501, 502, 504, 505, 510, 511, 517, 518, 533, 536, 537, 666, 671, 676, 678, 680-682, 686-690, 693, 694	X	O	X	O
C603, 604	X	X	X	O
D533, 534	X	O	X	O
D535-538	X	O	X	O
IC526-528	X	O	X	O
J507, 508	O	X	O	X
Q501, 502, 507, 508, 535, 536, 546-548	X	O	X	O
R567, 662	X	X	O	X
R534, 535, 573, 574, 577, 578, 594, 598, 601, 623, 628, 647, 649, 665, 671, 700, 710, 786, 791, 792	X	O	X	O
R672, 684, 685	O	X	O	X
W504	X	O	X	O

X: NOT USED  
 O: USED / APPLICABLE



• Semiconductor Location

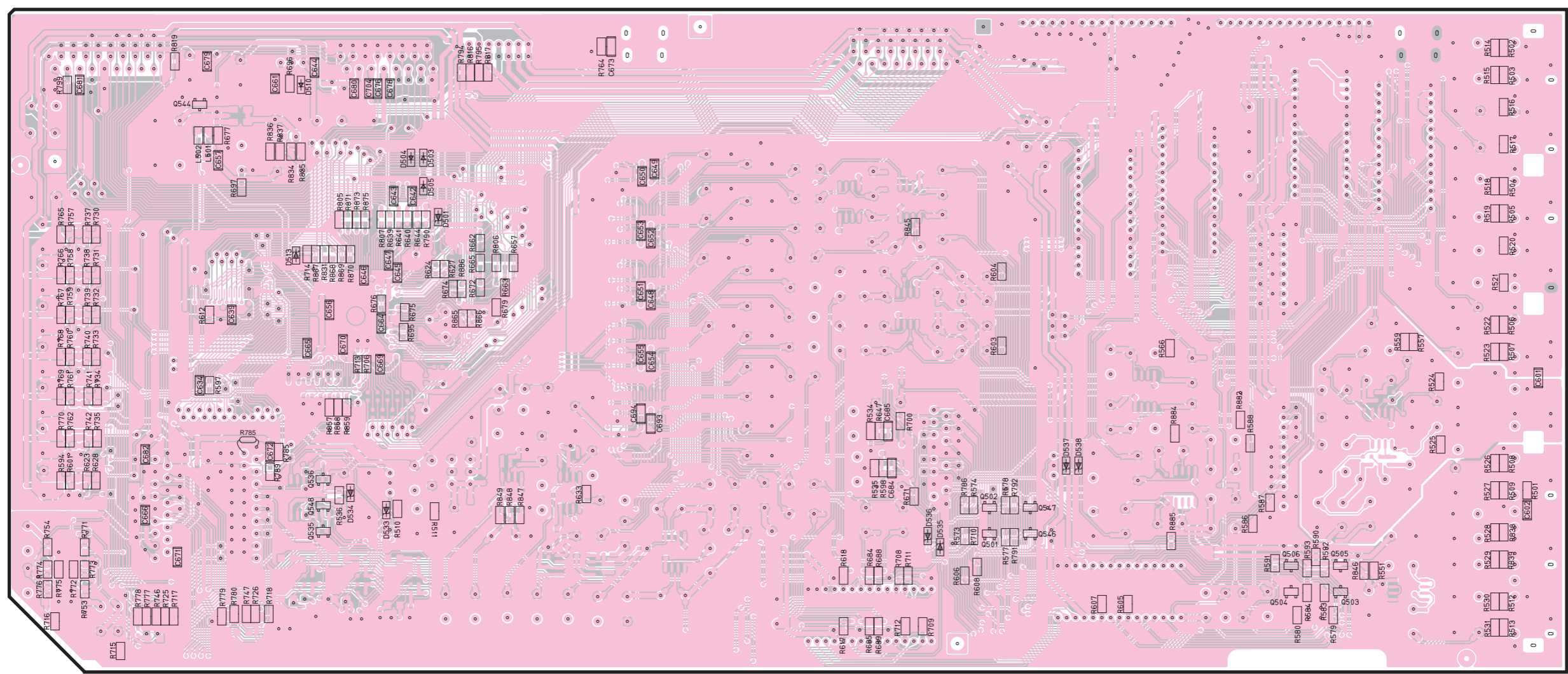
Ref. No.	Location	Ref. No.	Location	Ref. No.	Location	Ref. No.	Location	Ref. No.	Location	Ref. No.	Location	Ref. No.	Location	Ref. No.	Location	Ref. No.	Location	Ref. No.	Location	Ref. No.	Location		
D509	B3	IC501	H4	IC508	G4	IC514	E3	IC520	C4	IC526	D4	Q512	B3	Q518	C5	Q524	A4	Q530	A4	Q537	A5	Q543	C5
D511	B3	IC502	G3	IC509	G5	IC515	E3	IC521	D5	IC527	E4	Q513	A5	Q519	C5	Q525	A4	Q531	A4	Q538	A5	Q545	C4
D512	B3	IC503	H3	IC510	E5	IC516	D4	IC522	B2	IC528	B5	Q514	A5	Q520	A3	Q526	C4	Q532	A4	Q539	B5		
D531	D4	IC504	G3	IC511	G5	IC517	D3	IC523	D5	Q507	A5	Q515	B5	Q521	A3	Q527	A3	Q533	A5	Q540	B5		
D532	D4	IC505	H3	IC512	B4	IC518	D3	IC524	D5	Q508	A5	Q516	B5	Q522	A4	Q528	A3	Q534	A5	Q541	B5		
D515	C5	IC507	H5	IC513	E4	IC519	D4	IC525	C5	Q511	B3	Q517	B5	Q523	A4	Q529	A4	Q536	A5	Q542	C5		

1 ■ PRINTED CIRCUIT BOARD (Foil side) RX-V2300/DSP-AX2300

FUNCTION P. C. B. (Surface Mount Device)

• Semiconductor Location

Ref. No.	Location
D501	C3
D503	C2
D504	C2
D505	C3
D510	B2
D513	B3
D533	C4
D534	C4
Q501	F4
Q502	F4
Q503	H5
Q504	G5
Q505	H5
Q506	G4
Q535	B4
Q536	B4
Q544	B2
Q546	F4
Q547	F4
Q548	B4



2

3

4

5

6

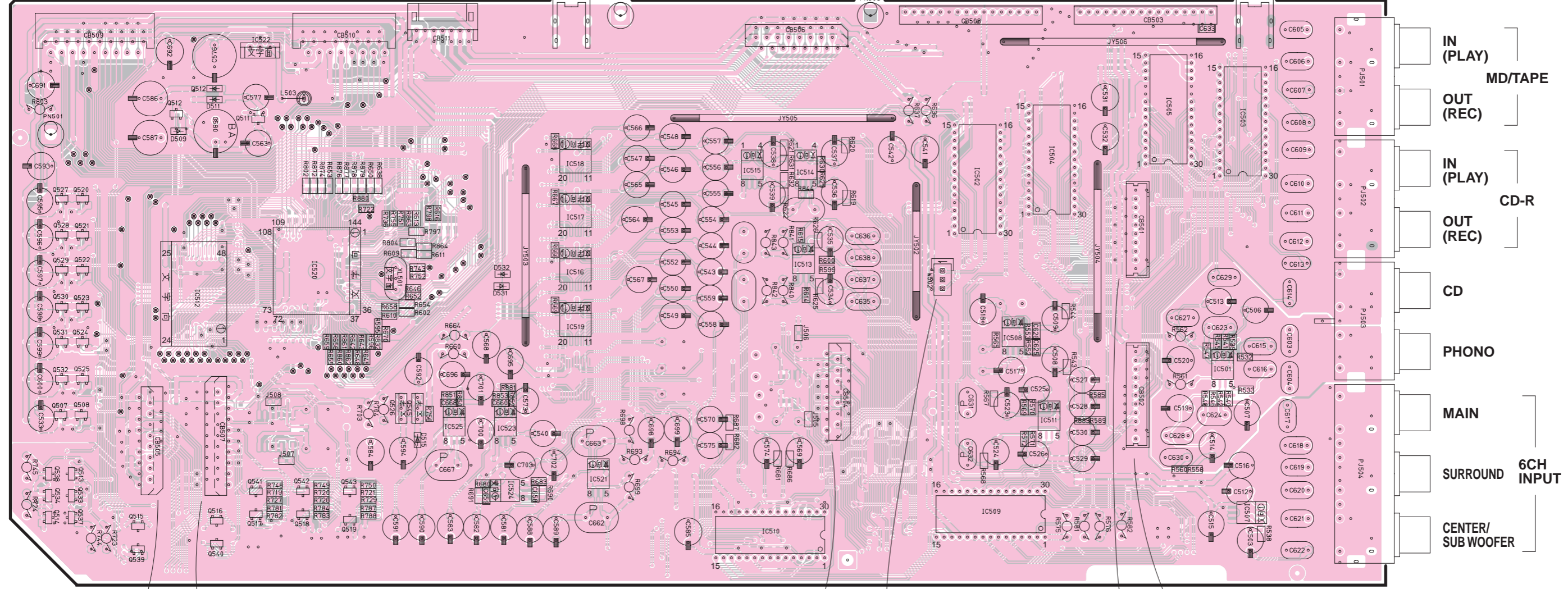
7

Circuit No.	J	U.C	R, T, K	A
C501, 502, 504, 505, 510, 511, 517, 518, 533, 536, 537, 666, 671, 676, 678, 680-682, 686-690, 693, 694	X	O	X	O
C603, 604	X	X	X	O
D533, 534	X	O	X	O
D535-538	X	O	X	O
IC526-528	X	O	X	O
J507, 508	O	X	O	X
Q501, 502, 507, 508, 535, 536, 546-548	X	O	X	O
R567, 662	X	X	O	X
R534, 535, 573, 574, 577, 578, 594, 598, 601, 623, 628, 647, 649, 665, 671, 700, 710, 786, 791, 792	X	O	X	O
R672, 684, 685	O	X	O	X
W504	X	O	X	O

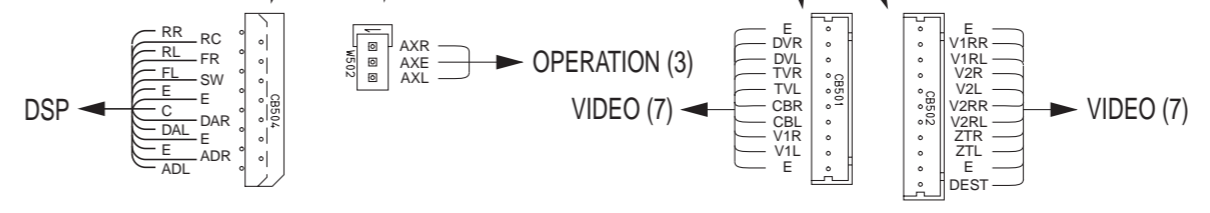
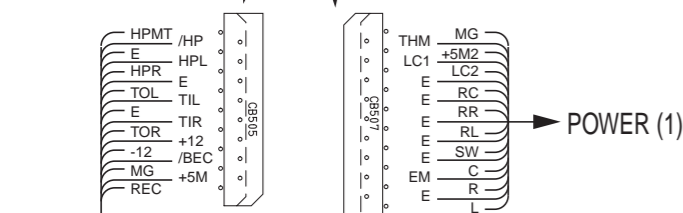
X: NOT USED  
O: USED / APPLICABLE

PRINTED CIRCUIT BOARD (Foil side) RX-V1300/RX-V1300RDS/HTR-5590/DSP-AX1300

FUNCTION P. C. B. (Lead Type Device)



- IN (PLAY) MD/TAPE
- OUT (REC) MD/TAPE
- IN (PLAY) CD-R
- OUT (REC) CD-R
- CD
- PHONO
- MAIN
- SURROUND 6CH INPUT
- CENTER/SUB WOOFER



Circuit No.	J	U, C	R, T, K	A	B, G
C508, 509, 517, 518, 533, 625, 626, 666, 671, 676, 678, 680-682	X	O	X	O	X
C603, 604	X	X	X	O	O
IC504, 505, 508	X	O	X	O	X
J505, 506	X	O	X	O	X
Q501, 502, 507, 508, 546, 547	X	O	X	O	X
R587, 662	X	X	O	X	X
R543, 544, 552, 553, 565, 566, 573, 574, 577, 578, 594, 601, 623, 628, 665, 671, 700, 710, 786, 791, 792	X	O	X	O	X
R672	O	X	O	X	O

X: NOT USED  
O: USED / APPLICABLE

Semiconductor Location

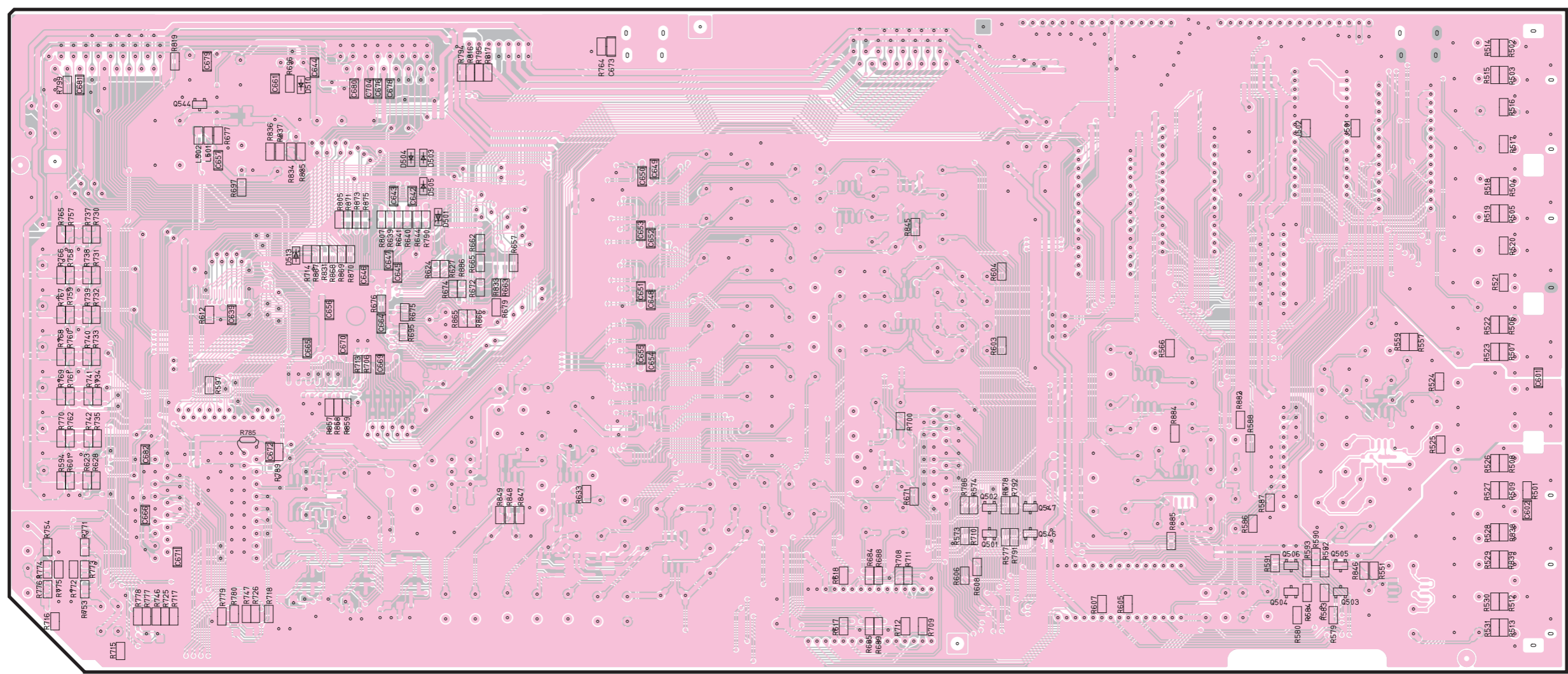
Ref. No.	Location	Ref. No.	Location	Ref. No.	Location	Ref. No.	Location	Ref. No.	Location	Ref. No.	Location	Ref. No.	Location	Ref. No.	Location	Ref. No.	Location	Ref. No.	Location		
D509	B3	IC501	H4	IC508	G4	IC514	E3	IC520	C4	Q507	A5	Q515	B5	Q521	A3	Q527	A3	Q533	A5	Q541	B5
D511	B3	IC502	G3	IC509	G5	IC515	E3	IC521	D5	Q508	A5	Q516	B5	Q522	A4	Q528	A3	Q534	A5	Q542	C5
D512	B3	IC503	H3	IC510	E5	IC516	D4	IC522	B2	Q511	B3	Q517	B5	Q523	A4	Q529	A4	Q537	A5	Q543	C5
D515	C5	IC504	G3	IC511	G5	IC517	D3	IC523	D5	Q512	B3	Q518	C5	Q524	A4	Q530	A4	Q538	A5	Q545	C4
D531	D4	IC505	H3	IC512	B4	IC518	D3	IC524	D5	Q513	A5	Q519	C5	Q525	A4	Q531	A4	Q539	B5		
D532	D4	IC507	H5	IC513	E4	IC519	D4	IC525	C5	Q514	A5	Q520	A3	Q526	C4	Q532	A4	Q540	B5		

1 ■ PRINTED CIRCUIT BOARD (Foil side) RX-V1300/RX-V1300RDS/HTR-5590/DSP-AX1300

FUNCTION P. C. B. (Surface Mount Device)

• Semiconductor Location

Ref. No.	Location
D501	C3
D503	C2
D504	C2
D505	C3
D510	B2
D513	B3
Q501	F4
Q502	F4
Q503	H5
Q504	G5
Q505	H5
Q506	G4
Q544	B2
Q546	F4
Q547	F4

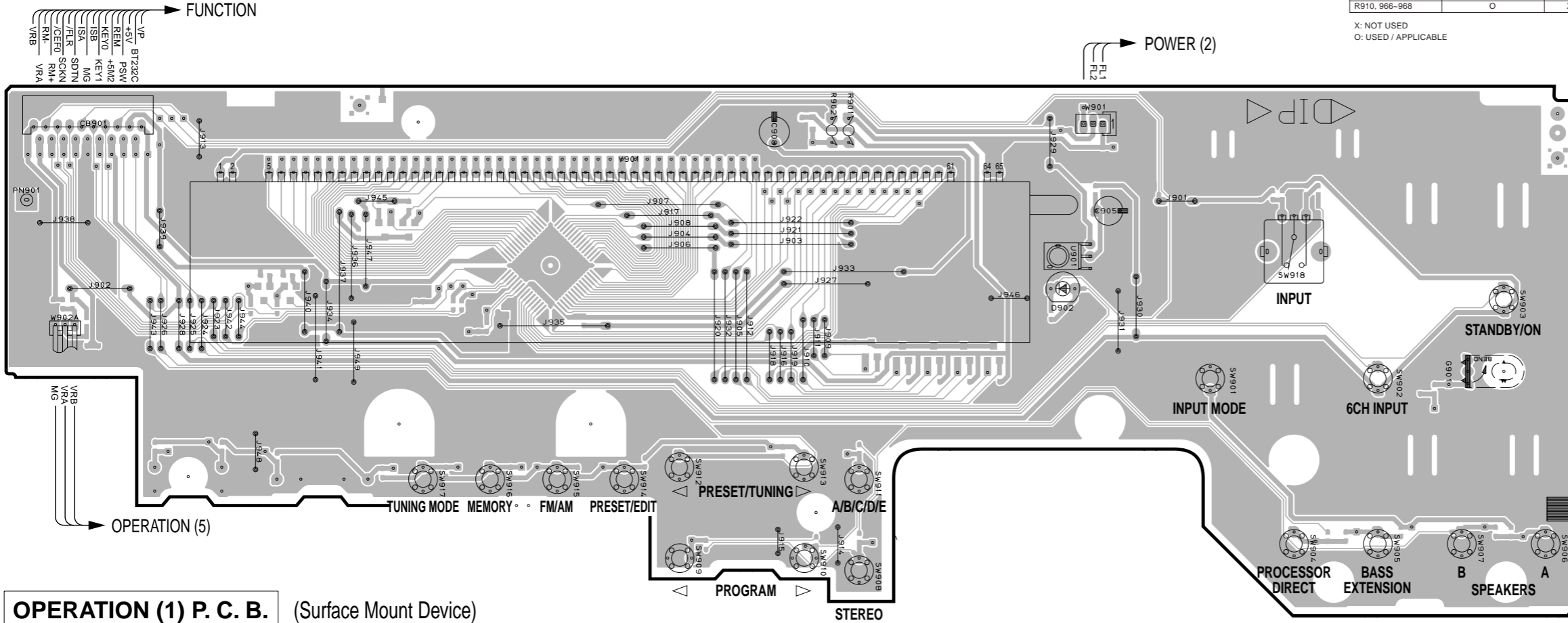


Circuit No.	J	U, C	R, T, K	A	B, G
C508, 509, 517, 518, 533, 625, 626, 666, 671, 676, 678, 680-682	X	O	X	O	X
C603, 604	X	X	X	O	O
IC504, 505, 508	X	O	X	O	X
J505, 506	X	O	X	O	X
Q501, 502, 507, 508, 546, 547	X	O	X	O	X
R587, 662	X	X	O	X	X
R543, 544, 552, 553, 565, 566, 573, 574, 577, 578, 594, 601, 623, 628, 665, 671, 700, 710, 786, 791, 792	X	O	X	O	X
R672	O	X	O	X	O

X: NOT USED  
O: USED / APPLICABLE

**PRINTED CIRCUIT BOARD (Foil side) RX-V2300/DSP-AX2300**

**OPERATION (1) P. C. B. (Lead Type Device)**



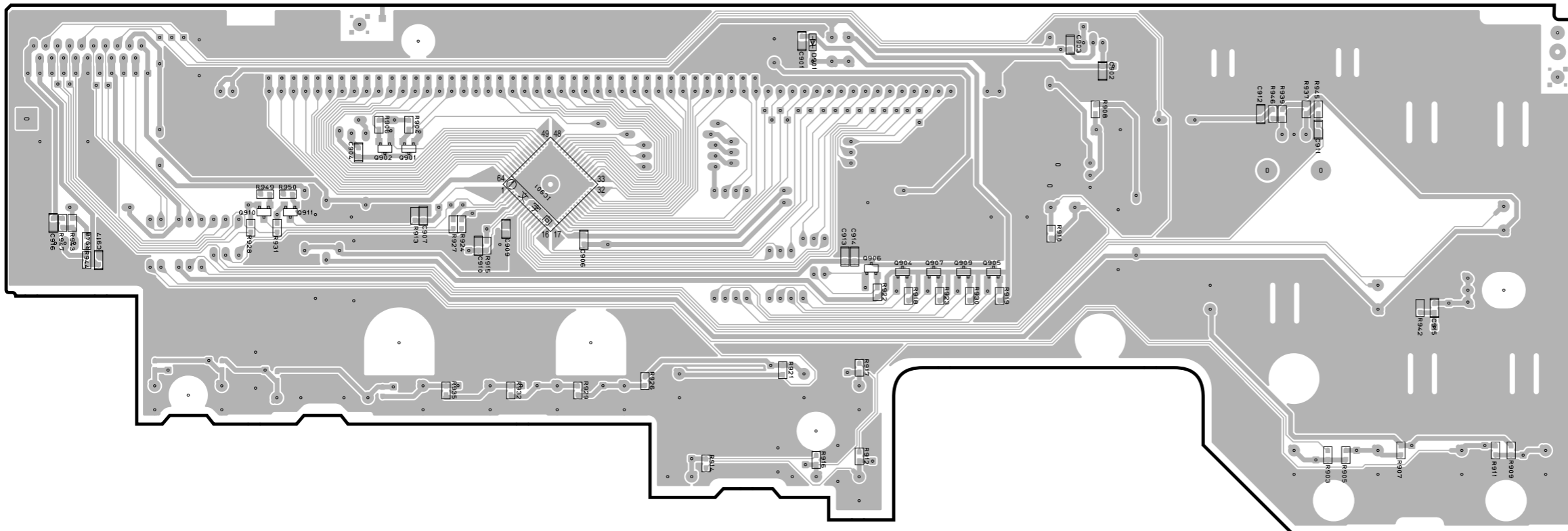
Circuit No.	U, C, A, R, T, K	J
C961, 962, 964-969	O	X
CB962	O	X
CB963	X	O
D902, 961,-963	O	X
IC961	O	X
JK961-963	O	X
Q961, 962	O	X
R910, 966-968	O	X

X: NOT USED  
 O: USED / APPLICABLE

**Semiconductor Location**

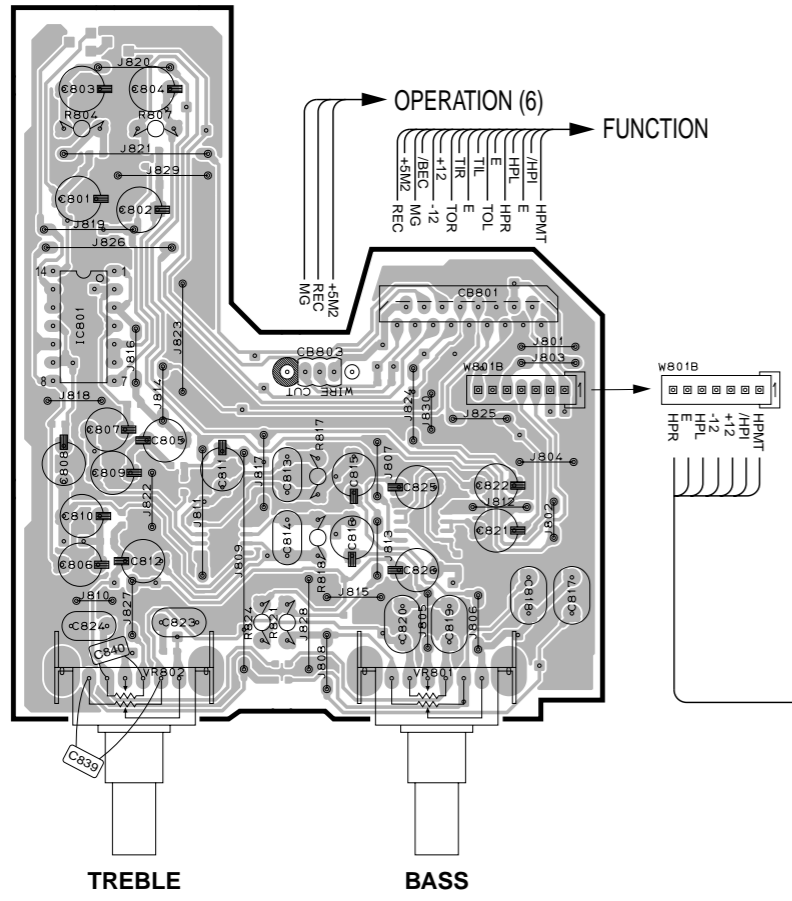
Ref. No.	Location
D901	E5
D902	F3
IC901	C5
Q901	C5
Q902	C5
Q904	E6
Q905	F6
Q906	E6
Q907	E6
Q909	E6
Q910	B6
Q911	B6

**OPERATION (1) P. C. B. (Surface Mount Device)**

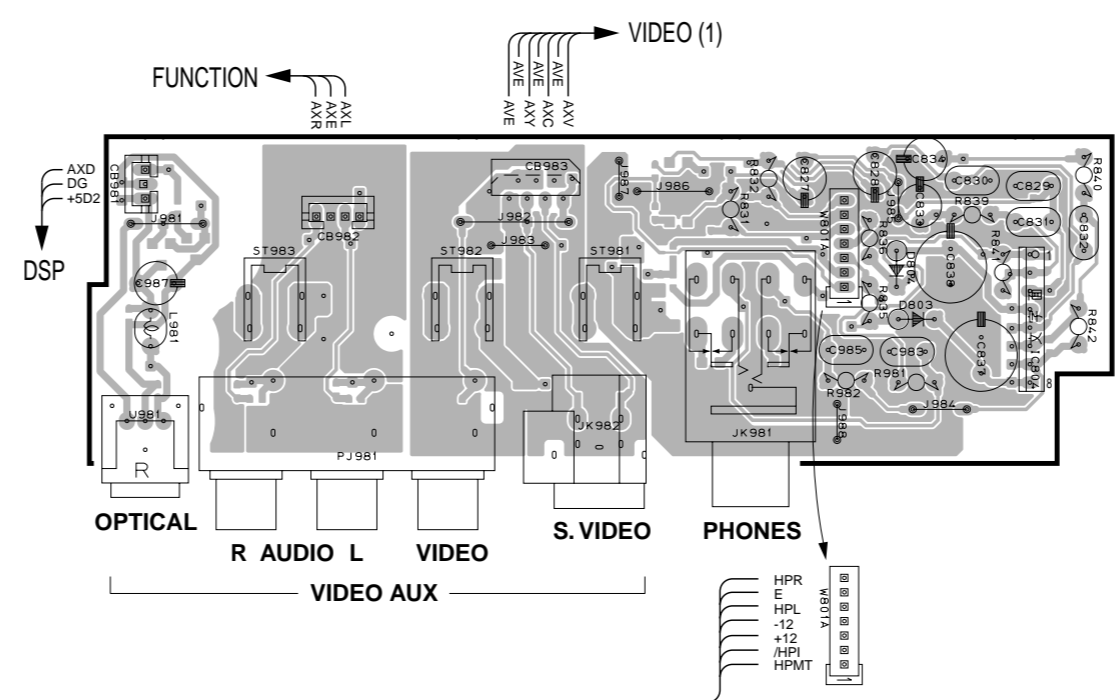


**PRINTED CIRCUIT BOARD (Foil side) RX-V2300/DSP-AX2300**

**OPERATION (2) P. C. B. (Lead Type Device)**



**OPERATION (3) P. C. B. (Lead Type Device)**



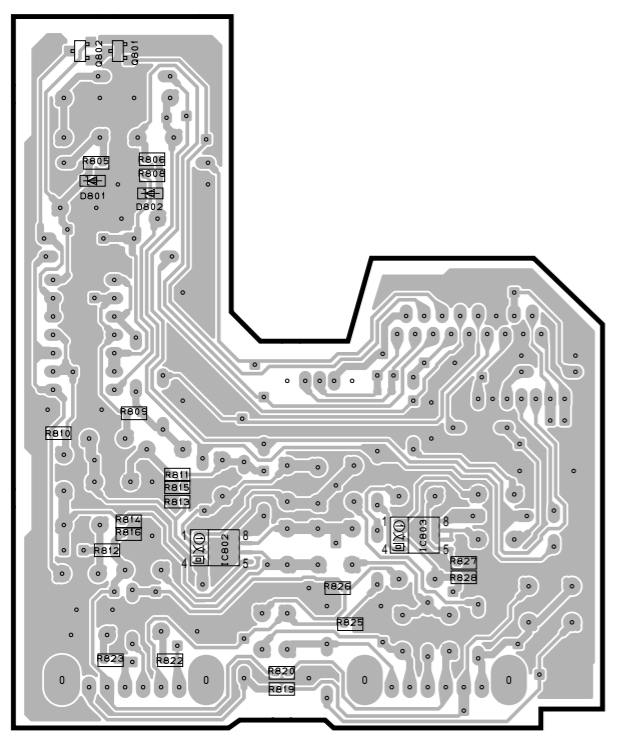
Circuit No.	U, C, A, R, T, K	J
C961, 962, 964-969	O	X
CB962	O	X
CB963	X	O
D902, 961, -963	O	X
IC961	O	X
JK961-963	O	X
Q961, 962	O	X
R910, 966-968	O	X

X: NOT USED  
O: USED / APPLICABLE

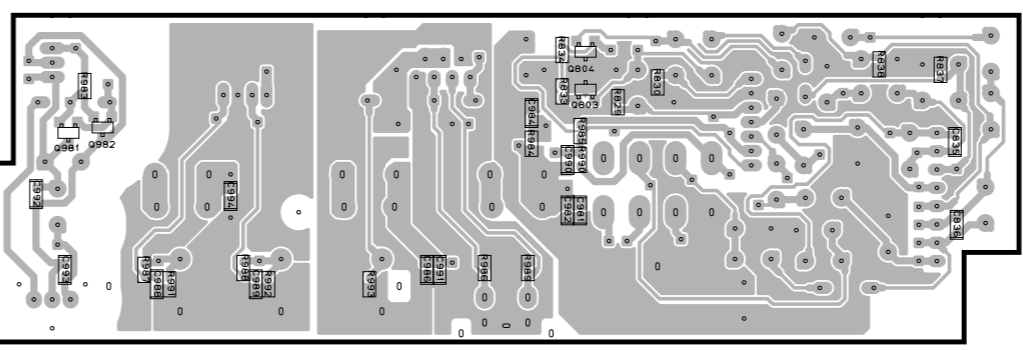
**Semiconductor Location**

Ref. No.	Location
D801	A5
D802	A5
D803	G3
D804	F2
IC801	A3
IC802	A7
IC803	B7
IC804	G3
Q801	A5
Q802	A5
Q803	F5
Q804	F5
Q981	D5
Q982	D5

**OPERATION (2) P. C. B. (Surface Mount Device)**



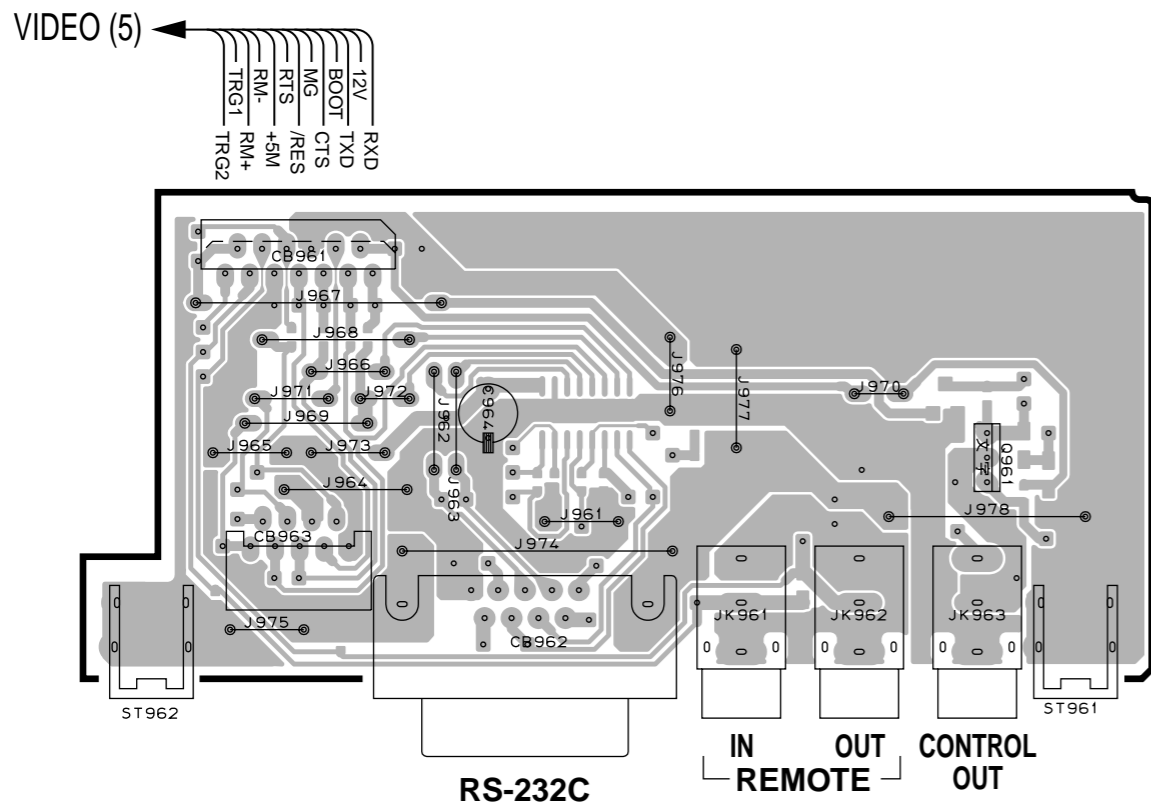
**OPERATION (3) P. C. B. (Surface Mount Device)**



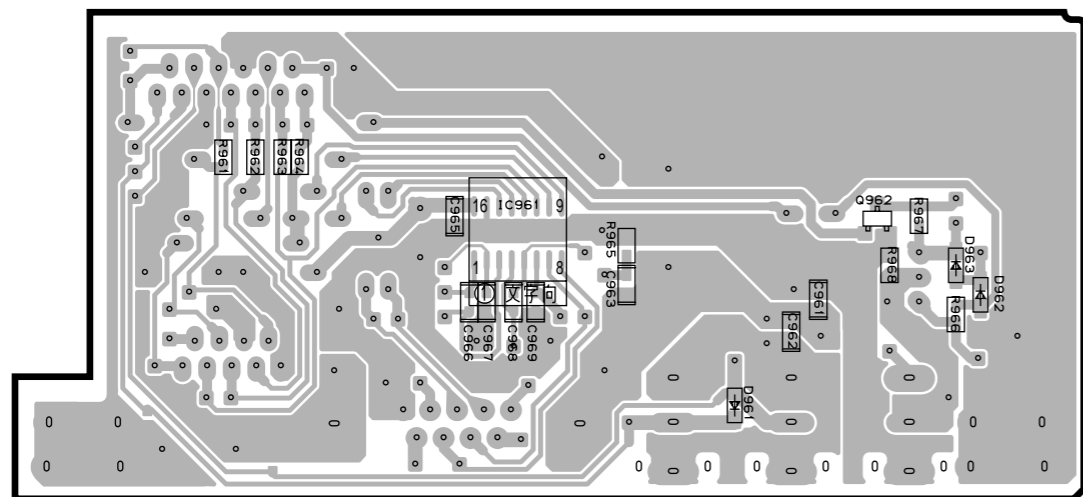
1  
2  
3  
4  
5  
6  
7

**PRINTED CIRCUIT BOARD (Foil side) RX-V2300/DSP-AX2300**

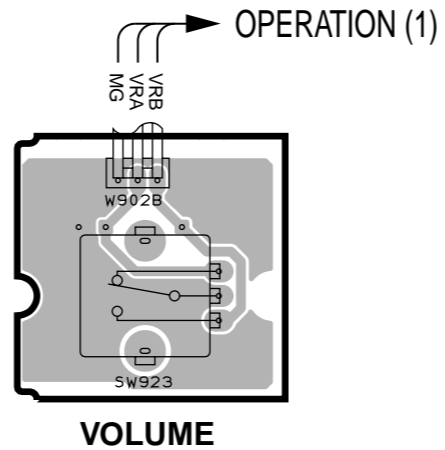
**OPERATION (4) P. C. B.** (Lead Type Device)



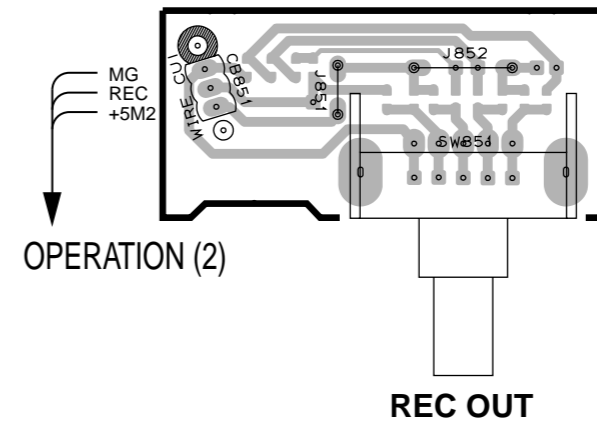
**OPERATION (4) P. C. B.** (Surface Mount Device)



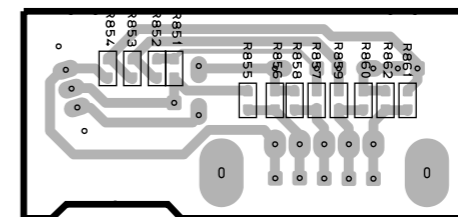
**OPERATION (5) P. C. B.** (Lead Type Device)



**OPERATION (6) P. C. B.** (Lead Type Device)



**OPERATION (6) P. C. B.** (Surface Mount Device)



Circuit No.	U, C, A, R, T, K	J
C961, 962, 964-969	O	X
CB962	O	X
CB963	X	O
D902, 961, -963	O	X
IC961	O	X
JK961-963	O	X
Q961, 962	O	X
R910, 966-968	O	X

X: NOT USED  
 O: USED / APPLICABLE

• Semiconductor Location

Ref. No.	Location
D961	D6
D962	D6
D963	D6
IC961	C6
Q961	D3
Q962	D6



**PRINTED CIRCUIT BOARD (Foil side) RX-V1300/RX-V1300RDS/HTR-5590/DSP-AX1300**

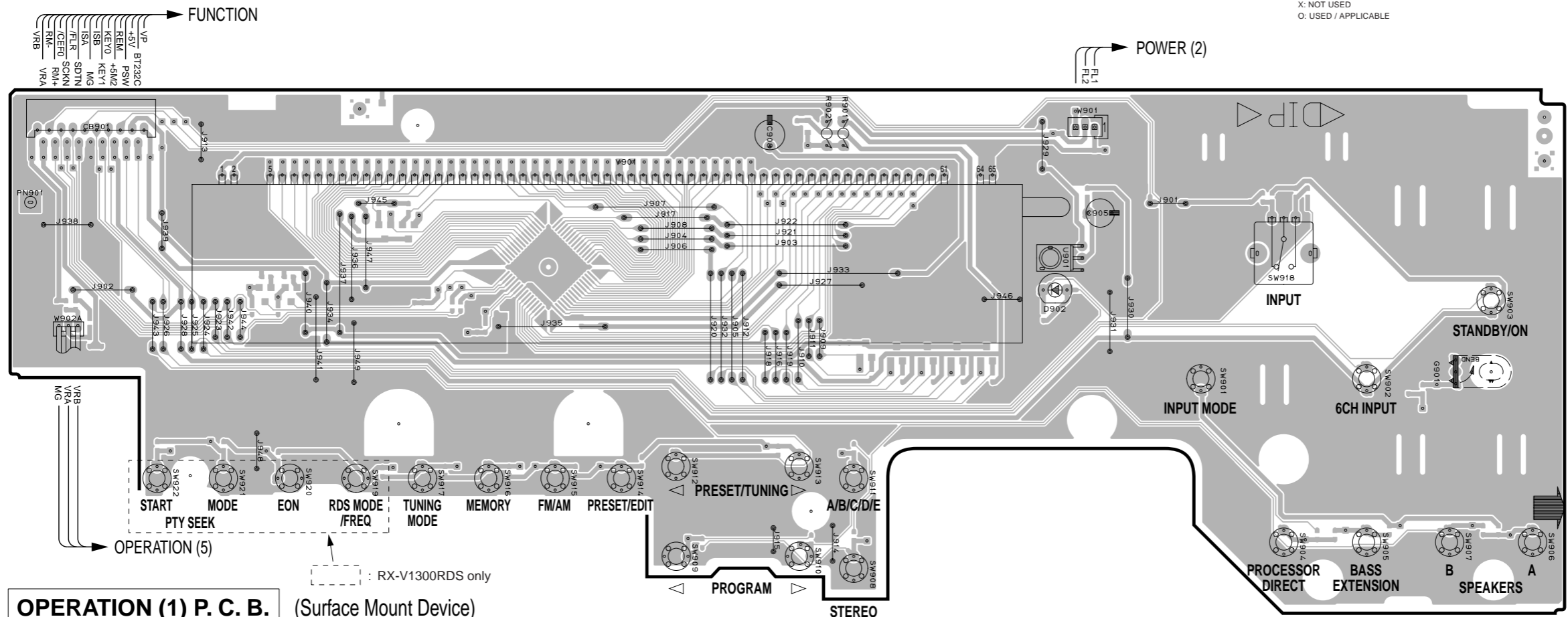
Circuit No.	J, R, T, K	U, C, A	B, G
C961, 962	X	O	X
D902, 961-963	X	O	X
JK961-963	X	O	X
R910, 961, 962, 966-968	X	O	X
R936, 938, 940, 941	X	X	O
SW919-922	X	X	O

X: NOT USED  
O: USED / APPLICABLE

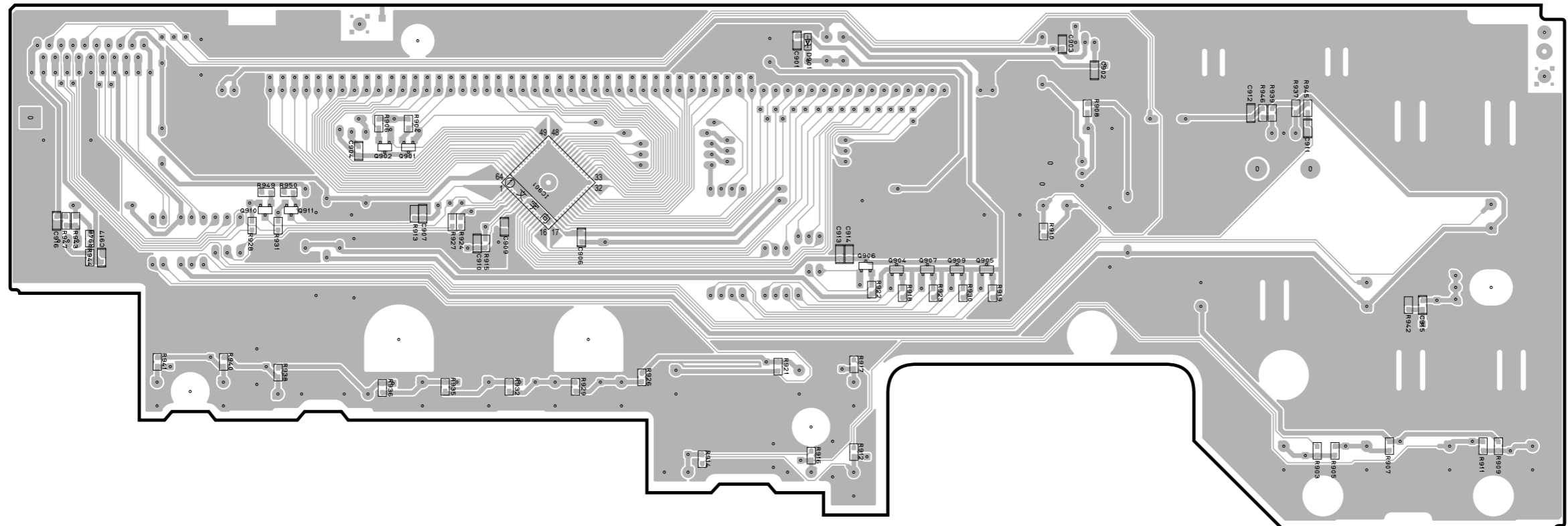
**Semiconductor Location**

Ref. No.	Location
D901	E5
D902	F3
IC901	C5
Q901	C5
Q902	C5
Q904	E6
Q905	F6
Q906	E6
Q907	E6
Q910	B6
Q911	B6

**OPERATION (1) P. C. B. (Lead Type Device)**



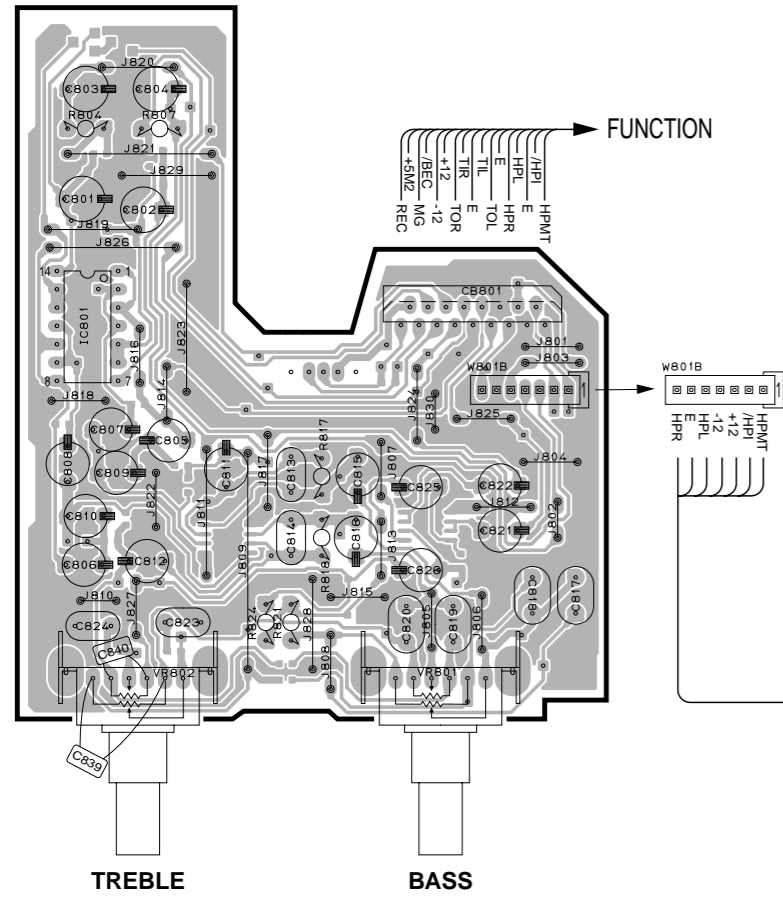
**OPERATION (1) P. C. B. (Surface Mount Device)**



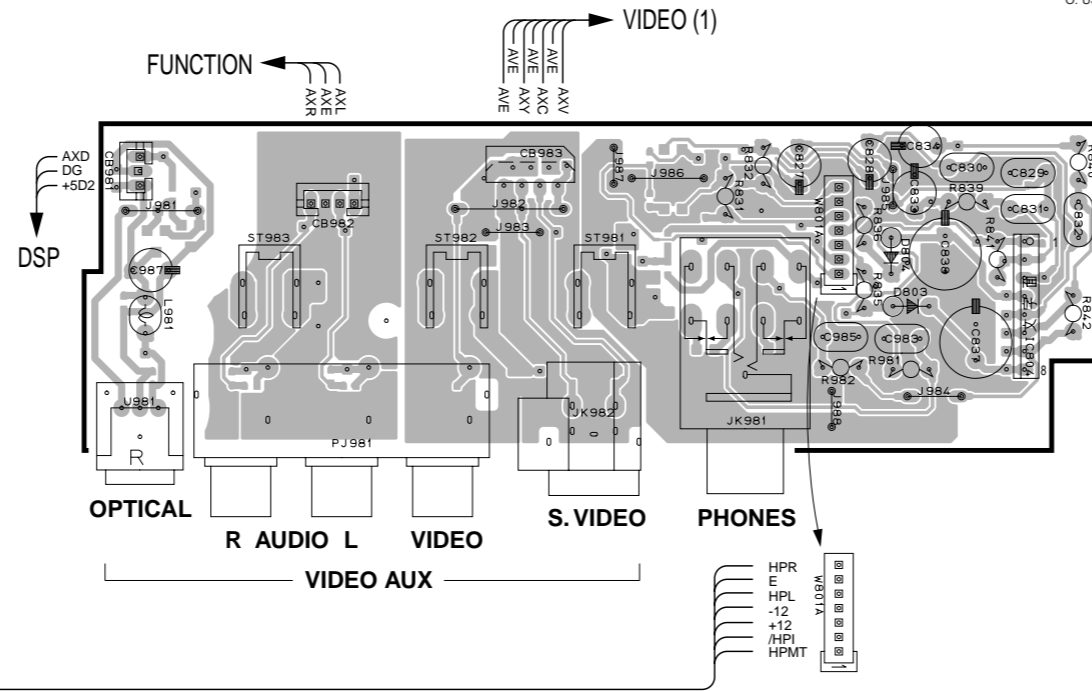
1  
2  
3  
4  
5  
6  
7

**PRINTED CIRCUIT BOARD (Foil side) RX-V1300/RX-V1300RDS/HTR-5590/DSP-AX1300**

**OPERATION (2) P. C. B.** (Lead Type Device)



**OPERATION (3) P. C. B.** (Lead Type Device)



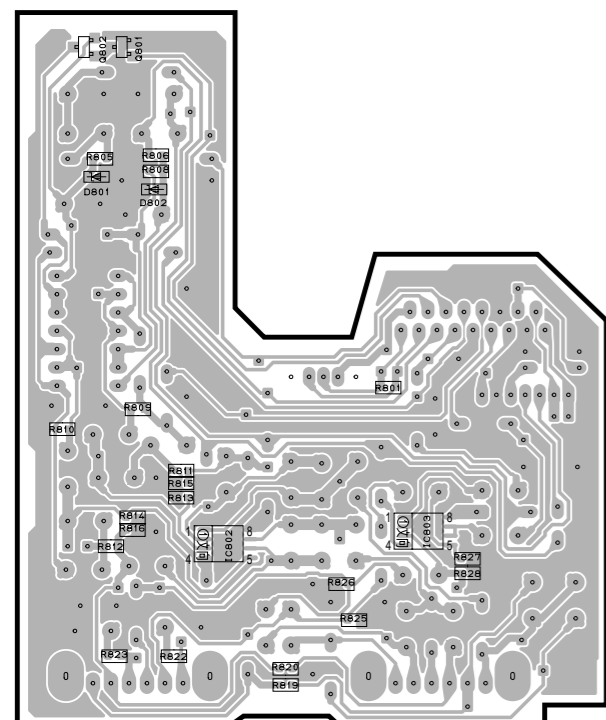
Circuit No.	J, R, T, K	U, C, A	B, G
C961, 962	X	O	X
D902, 961-963	X	O	X
JK961-963	X	O	X
R910, 961, 962, 966-968	X	O	X
R936, 938, 940, 941	X	X	O
SW919-922	X	X	O

X: NOT USED  
 O: USED / APPLICABLE

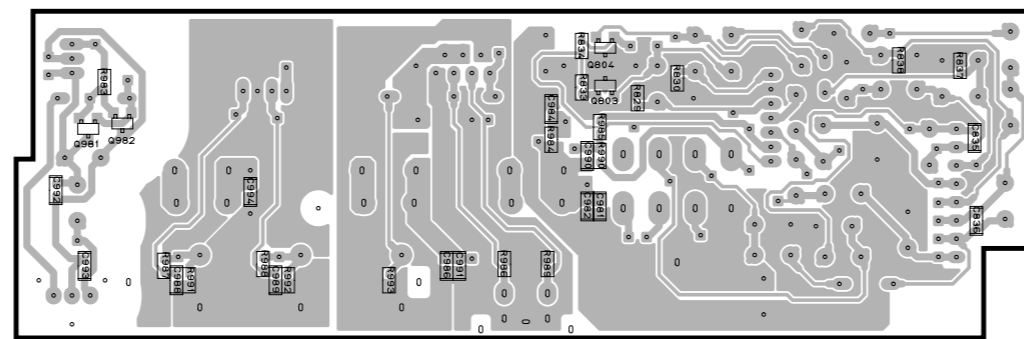
**Semiconductor Location**

Ref. No.	Location
D801	A5
D802	A5
D803	G3
D804	F2
IC801	A3
IC802	A7
IC803	B7
IC804	G3
Q801	A5
Q802	A5
Q803	F5
Q804	F5
Q981	D5
Q982	D5

**OPERATION (2) P. C. B.** (Surface Mount Device)



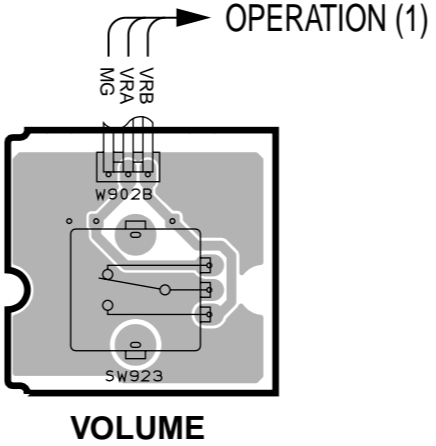
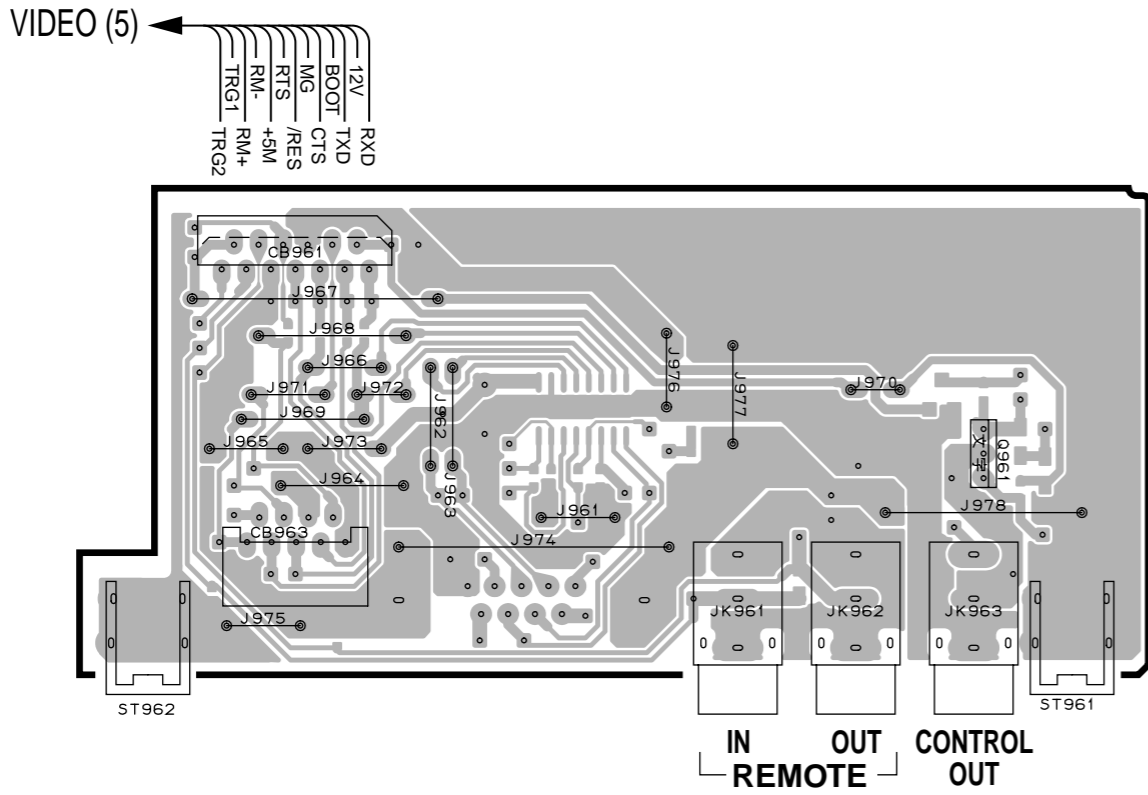
**OPERATION (3) P. C. B.** (Surface Mount Device)



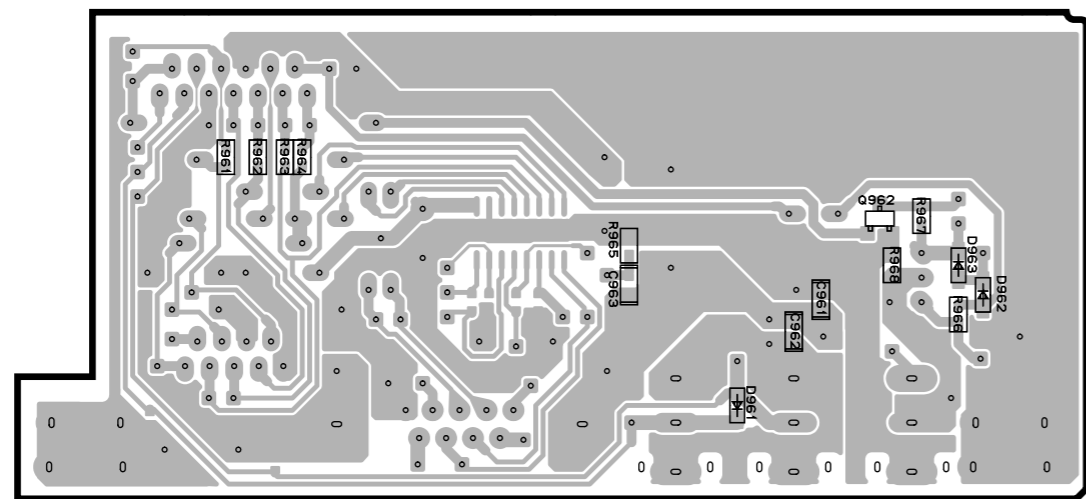
1 ■ PRINTED CIRCUIT BOARD (Foil side) RX-V1300/RX-V1300RDS/HTR-5590/DSP-AX1300

2 OPERATION (4) P. C. B. (Lead Type Device)

2 OPERATION (5) P. C. B. (Lead Type Device)



3 OPERATION (4) P. C. B. (Surface Mount Device)



• Semiconductor Location

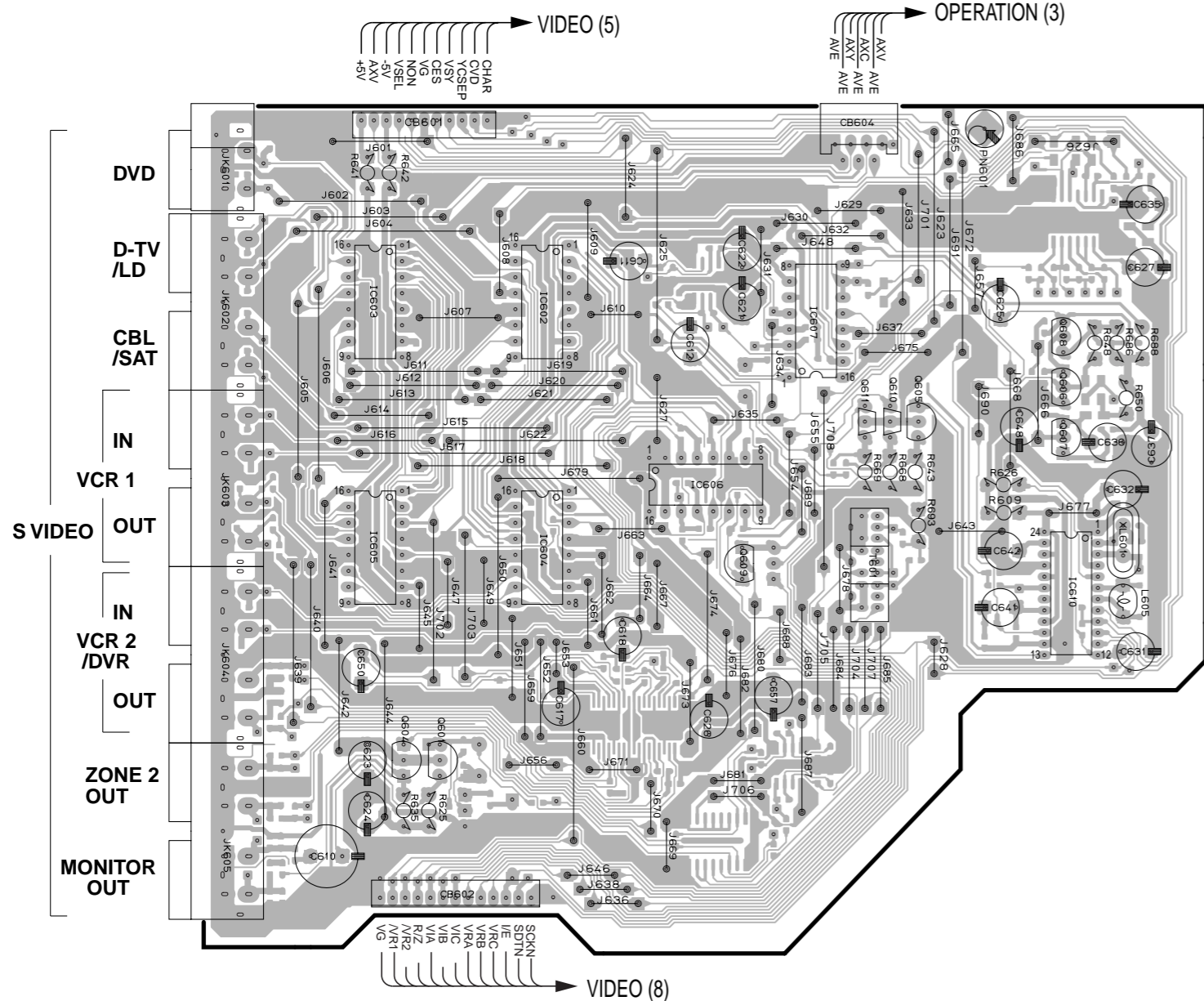
Circuit No.	J, R, T, K	U, C, A	B, G
C961, 962	X	O	X
D902, 961-963	X	O	X
JK961-963	X	O	X
R910, 961, 962, 966-968	X	O	X
R936, 938, 940, 941	X	X	O
SW919-922	X	X	O

Ref. No.	Location
D961	D6
D962	D6
D963	D6
Q961	D3
Q962	D6

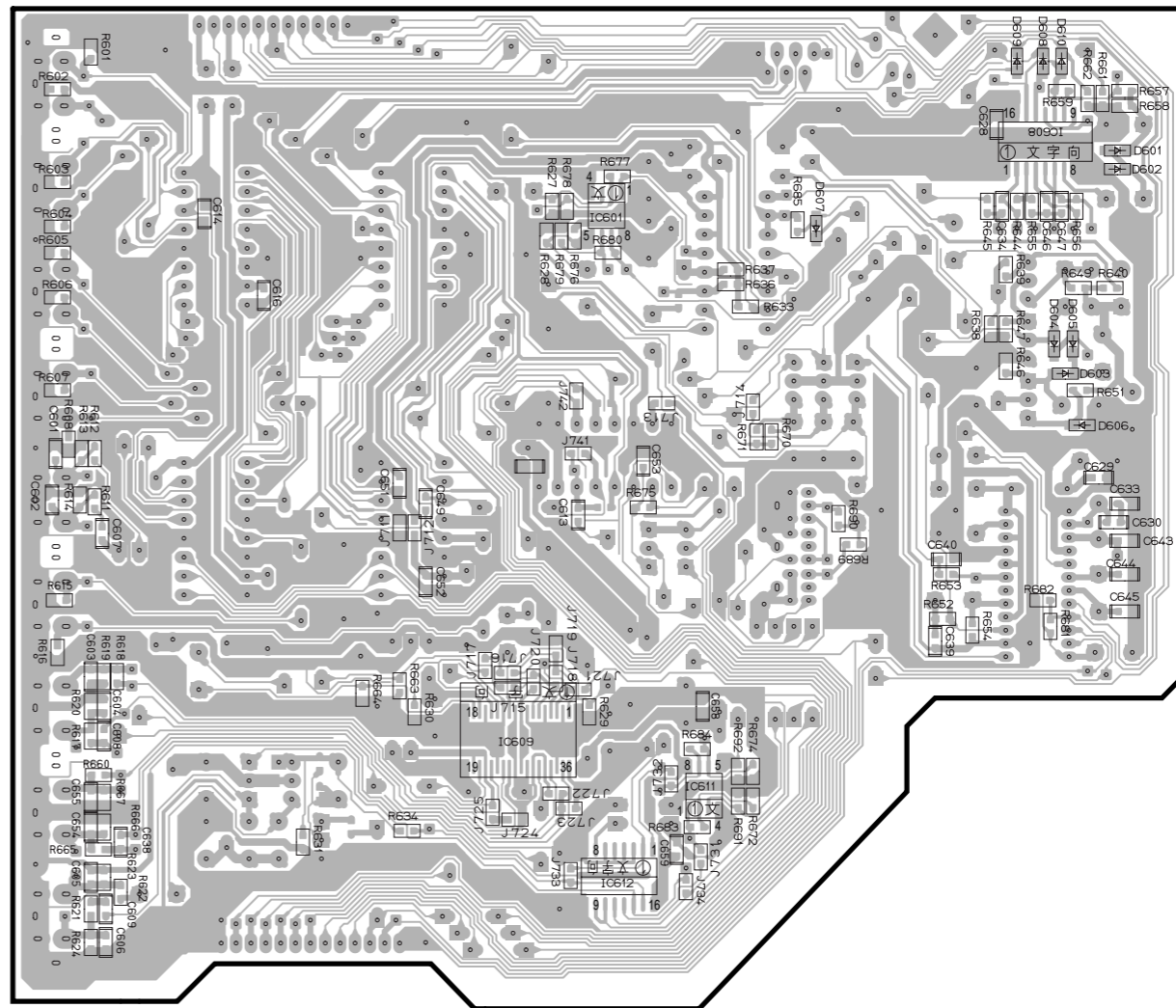
X: NOT USED  
O: USED / APPLICABLE

PRINTED CIRCUIT BOARD (Foil side) RX-V2300/DSP-AX2300

VIDEO (1) P. C. B. (Lead Type Device)



VIDEO (1) P. C. B. (Surface Mount Device)



Circuit No.	J	U, C	R, T, K	A
C615	O	O	X	O
C638, 649, 650, 654, 655	X	O	X	O
D607	O	O	X	O
IC606, 704	X	O	X	O
IC611, 612, 615	O	O	X	O
R660, 665, 666, 667, 672, 674, 683	X	O	X	O
R684, 689-692	O	O	X	O
R681	X	X	X	O
R682	O	O	O	X
T601	O	O	X	O

X: NOT USED  
O: USED / APPLICABLE

• Semiconductor Location

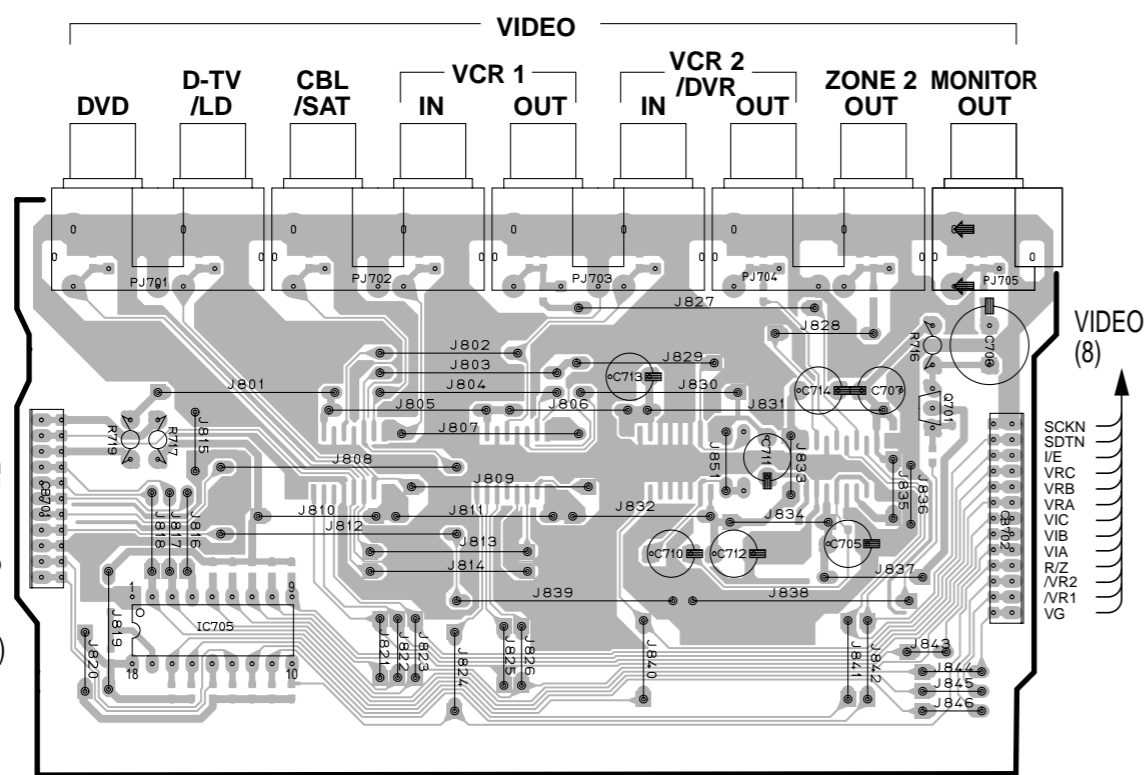
Ref. No.	Location	Ref. No.	Location	Ref. No.	Location
D601	J2	IC604	C4	Q607	E3
D602	J2	IC605	B4	Q608	E3
D603	J3	IC606	D3	Q609	D4
D604	I3	IC607	D3	Q610	D3
D605	J3	IC608	I2	Q611	D3
D606	J3	IC609	H4		
D607	I3	IC610	E4		
D608	I2	IC611	H5		
D609	I2	IC612	H5		
D610	I2	Q601	C4		
IC601	H2	Q604	B4		
IC602	C3	Q605	D3		
IC603	B3	Q606	E3		

1 ■ PRINTED CIRCUIT BOARD (Foil side) RX-V2300/DSP-AX2300

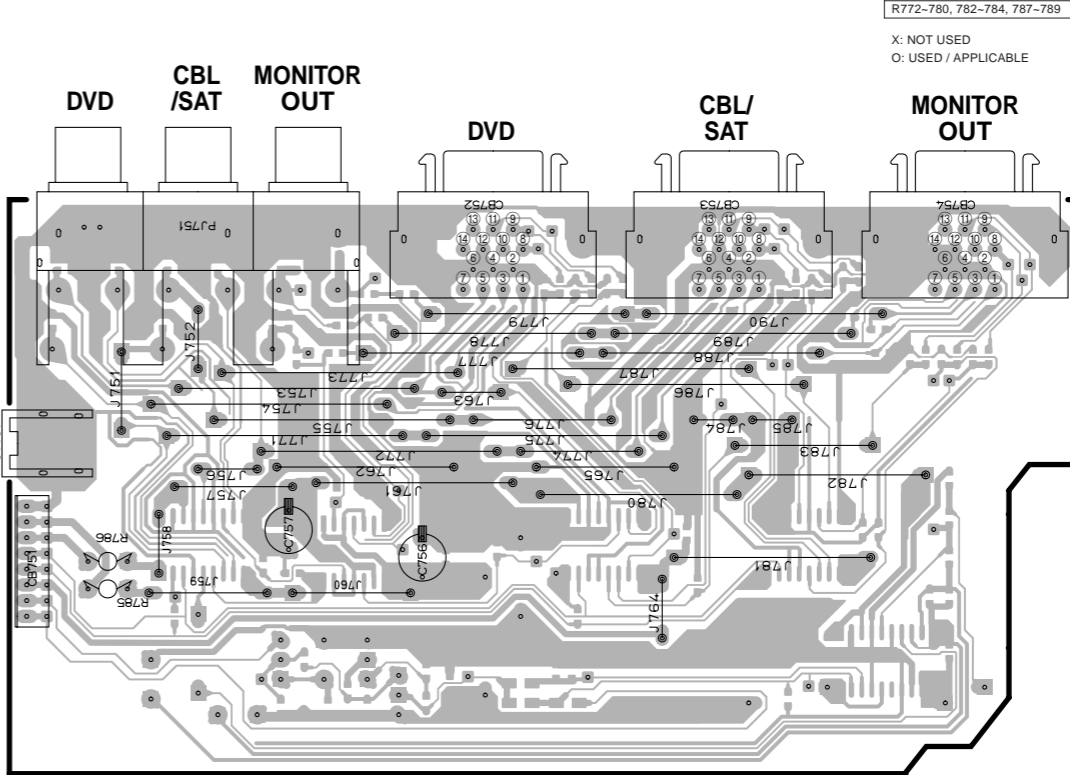
Circuit No.	J	U, C	R, T, K	A
C703, 711	X	O	X	O
C778-780	O	X	X	X
CB752-754, C758-766	O	X	X	X
IC704	X	O	X	O
IC611, 615	O	O	X	O
IC754	O	X	X	X
J733, 734	X	X	O	X
J741, 742, 851	O	X	O	X
R711, 712, 724	X	O	X	O
R772-780, 782-784, 787-789	O	X	X	X

X: NOT USED  
O: USED / APPLICABLE

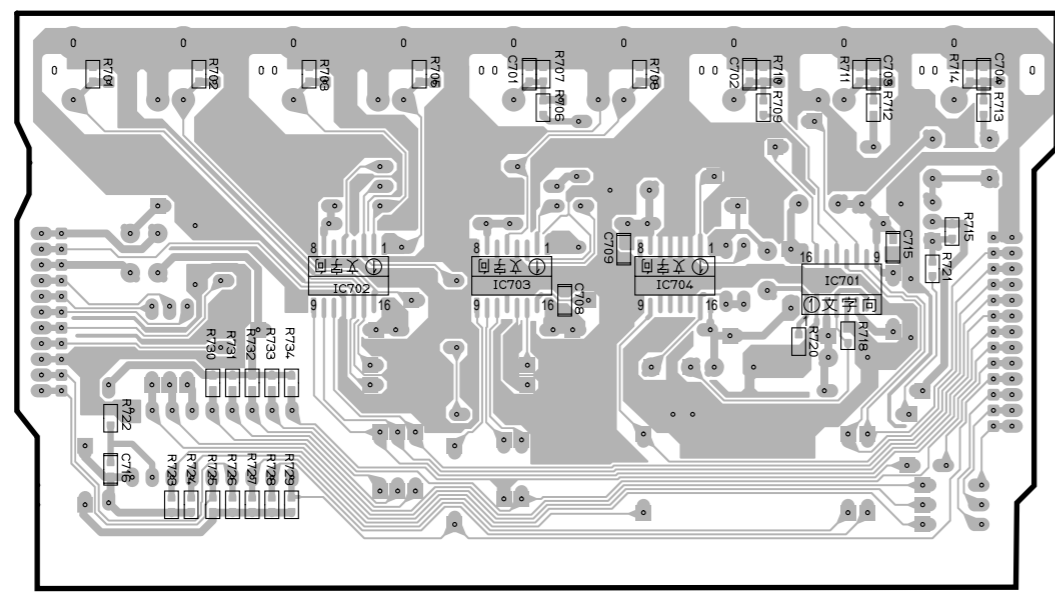
VIDEO (2) P. C. B. (Lead Type Device)



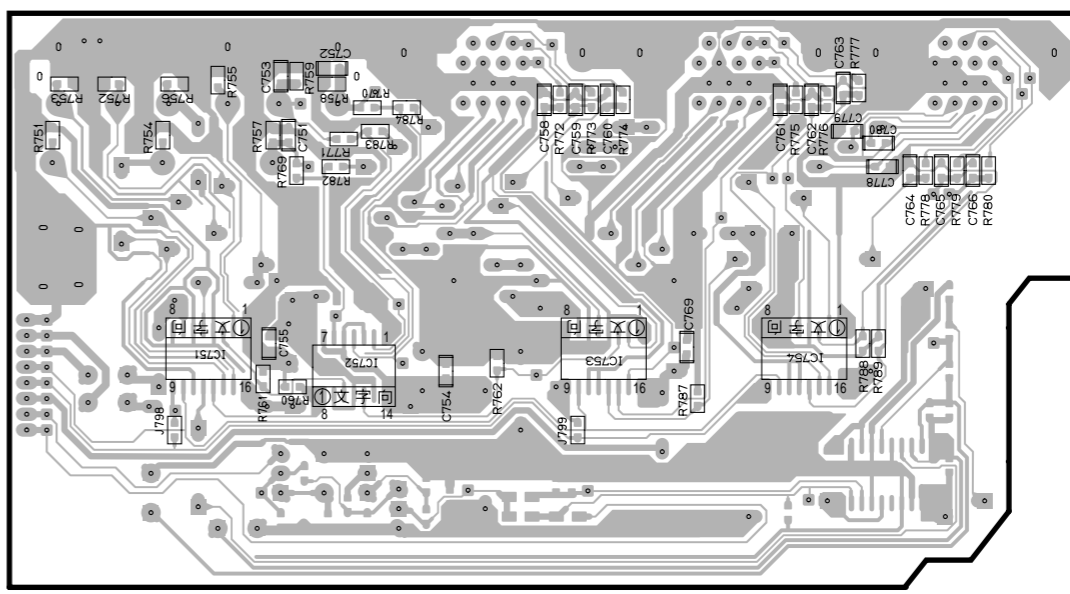
VIDEO (4) P. C. B. (Lead Type Device)



VIDEO (2) P. C. B. (Surface Mount Device)



VIDEO (4) P. C. B. (Surface Mount Device)



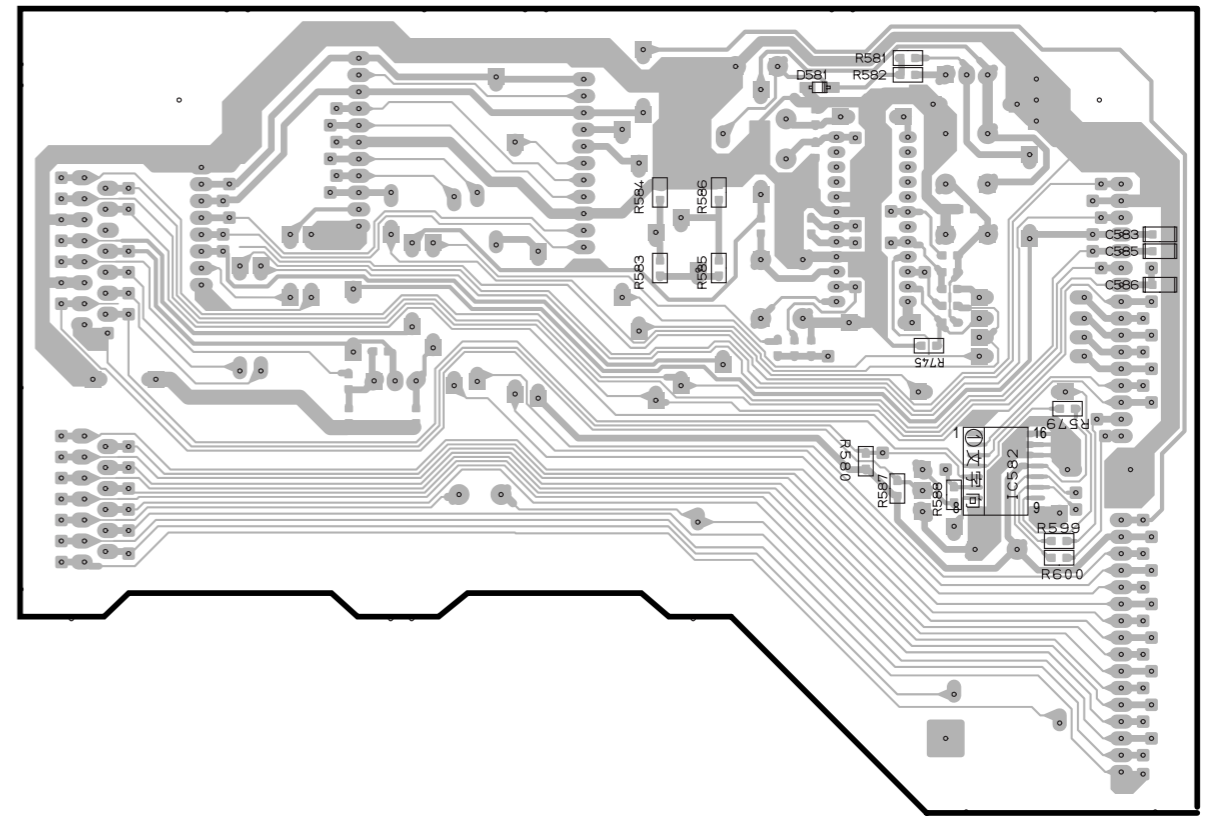
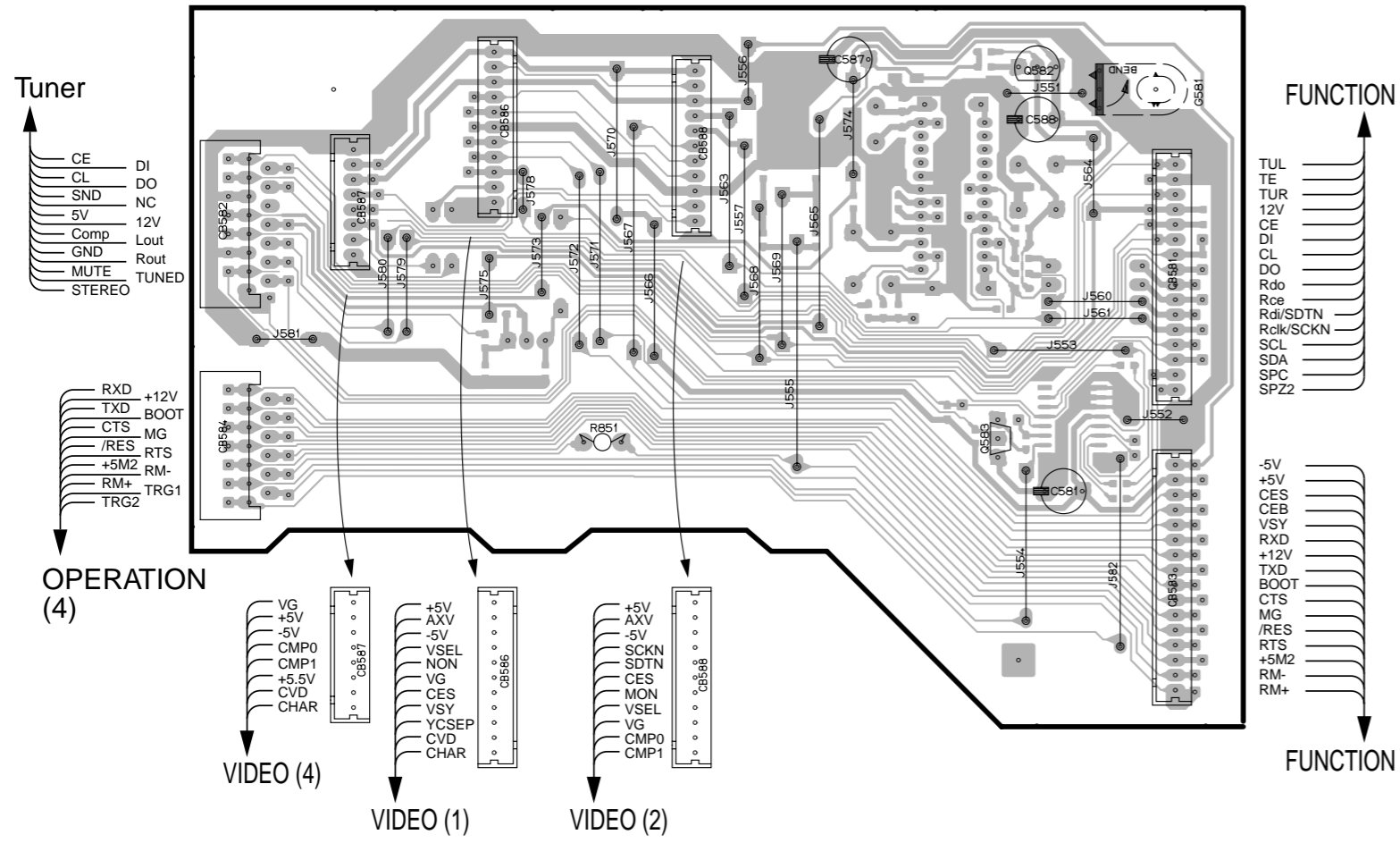
• Semiconductor Location

Ref. No.	Location
IC701	D5
IC702	B5
IC703	C5
IC704	C5
IC705	B3
IC751	F6
IC752	F6
IC753	G6
IC754	H6
Q701	D3

**PRINTED CIRCUIT BOARD (Foil side) RX-V2300/DSP-AX2300**

**VIDEO (5) P. C. B.** (Lead Type Device)

**VIDEO (5) P. C. B.** (Surface Mount Device)



• Semiconductor Location

Ref. No.	Location
D581	I2
IC582	I3
Q582	E2
Q583	D3

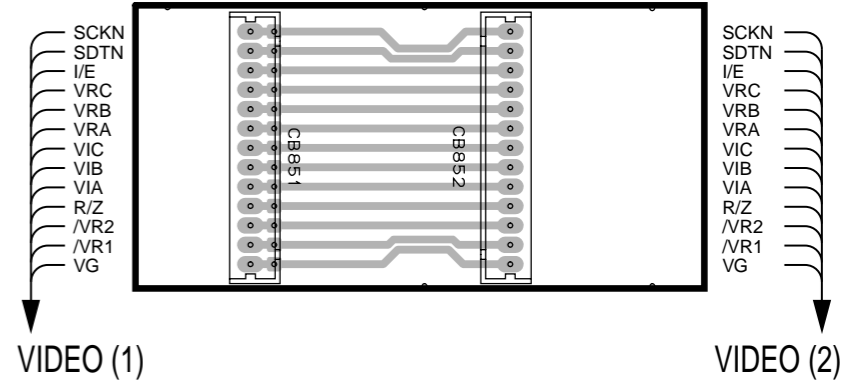
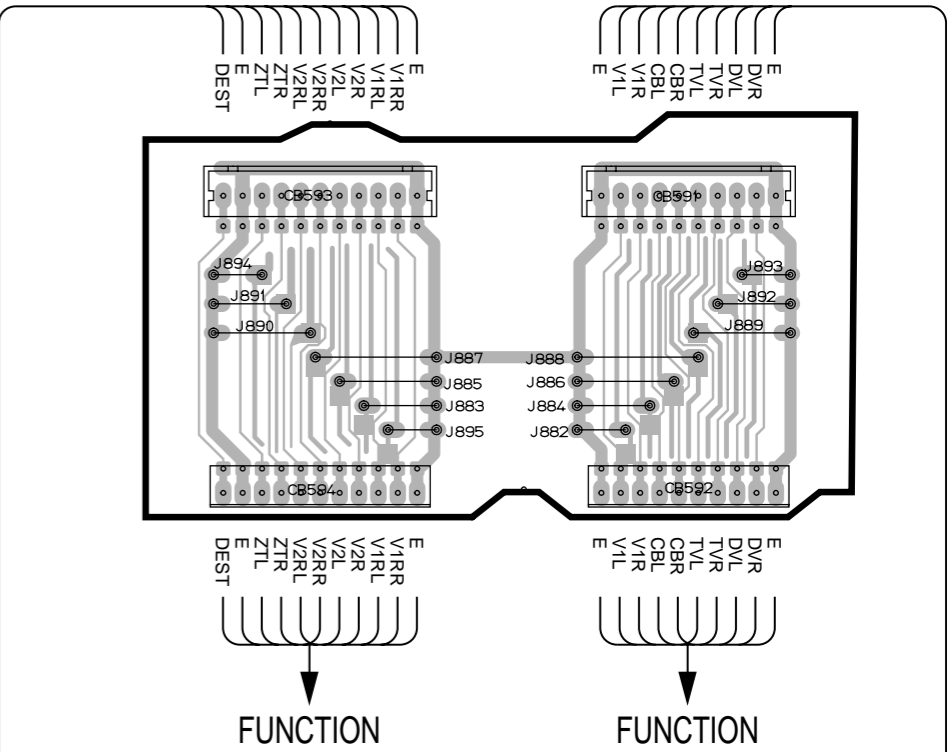
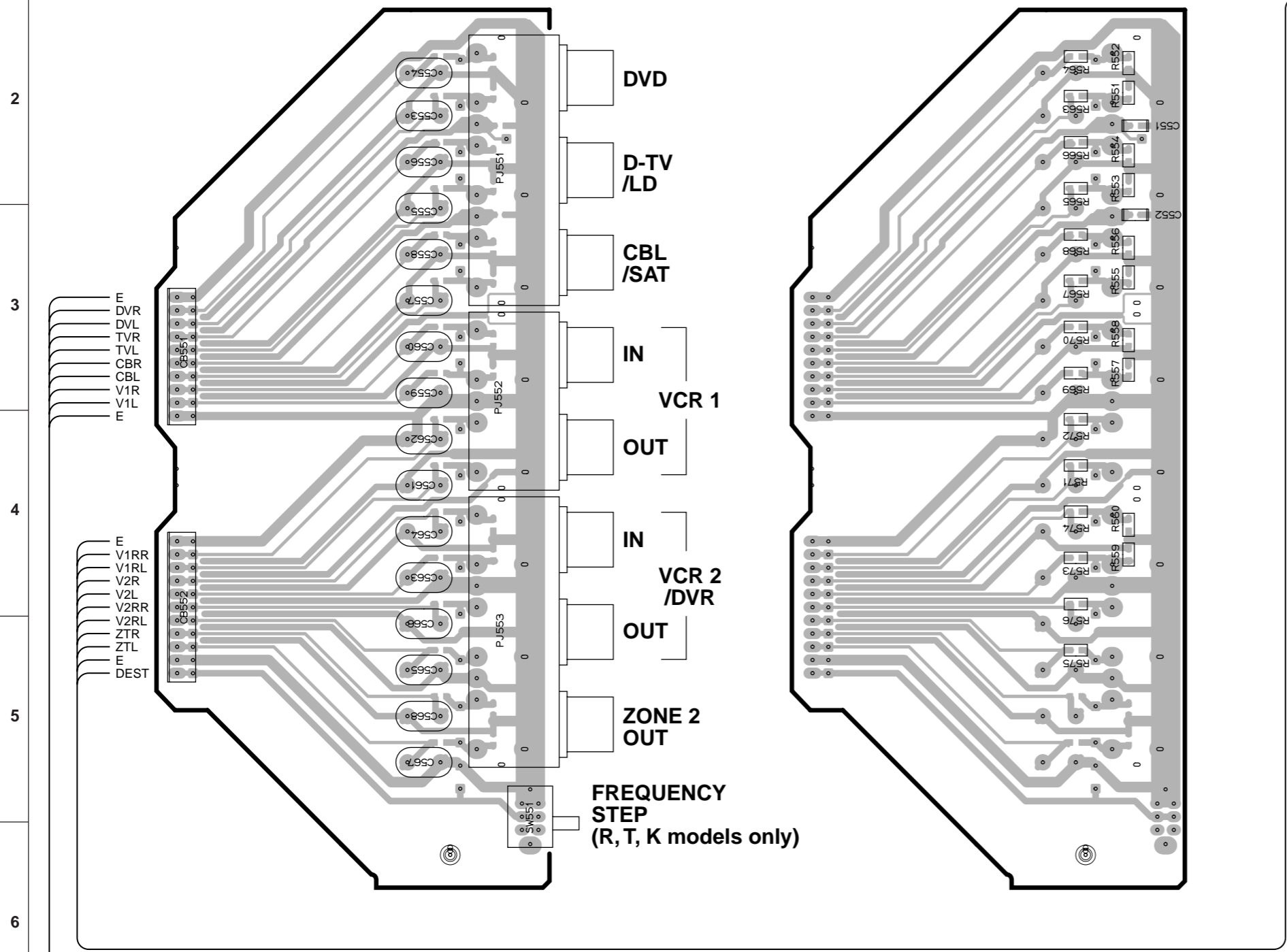
1 ■ PRINTED CIRCUIT BOARD (Foil side) **RX-V2300/DSP-AX2300**

**VIDEO (6) P. C. B.** (Lead Type Device)

**VIDEO (6) P. C. B.** (Surface Mount Device)

**VIDEO (7) P. C. B.** (Lead Type Device)

**VIDEO (8) P. C. B.** (Lead Type Device)

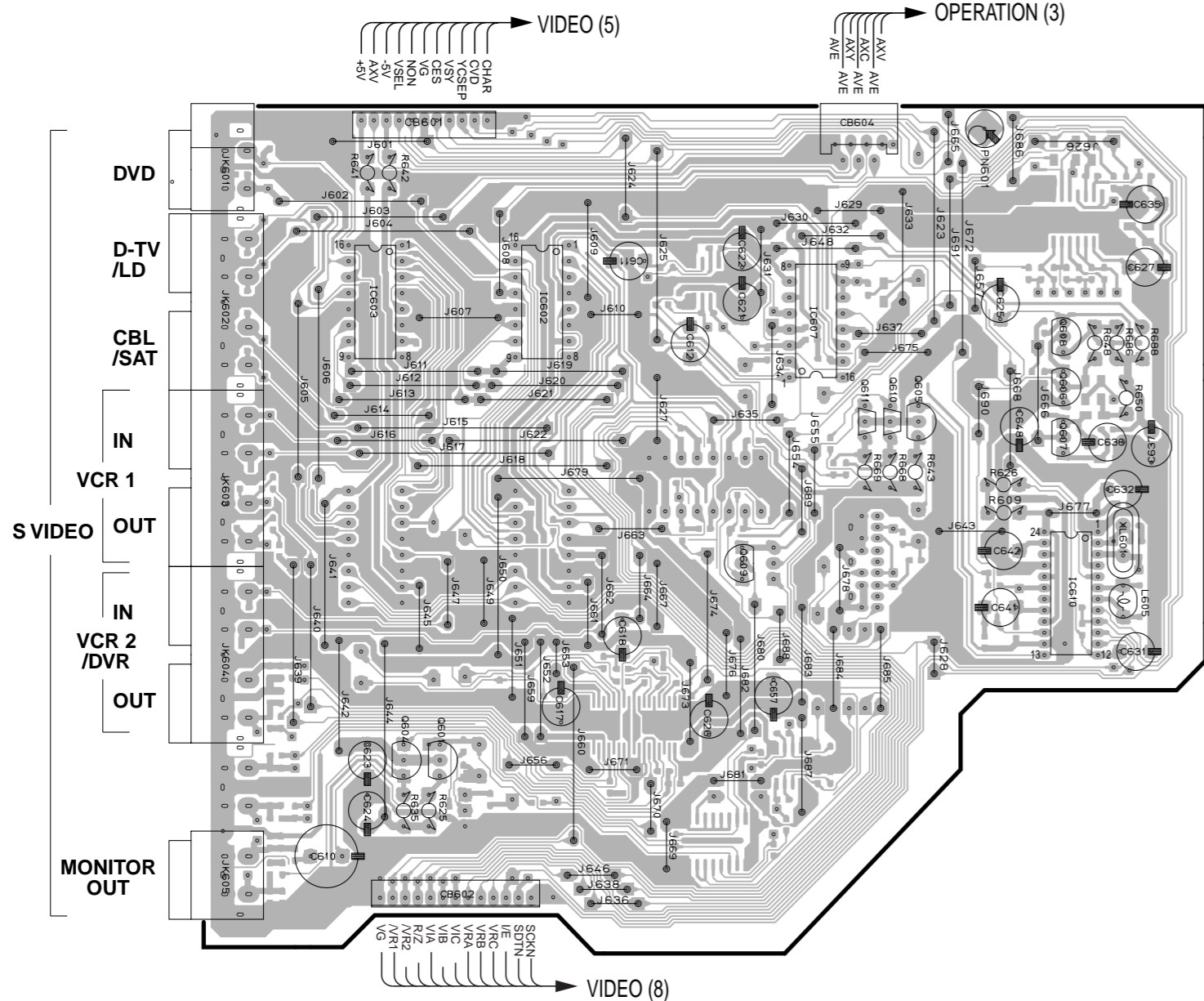


Circuit No.	J	U, C	R, T, K	A
C567, 568	X	O	X	O
R561, 562, 577, 578	X	O	X	O
R583	X	O	O	X
R584	O	X	X	O
R585	X	X	O	O
R586	O	O	X	X
SW551	X	X	O	X

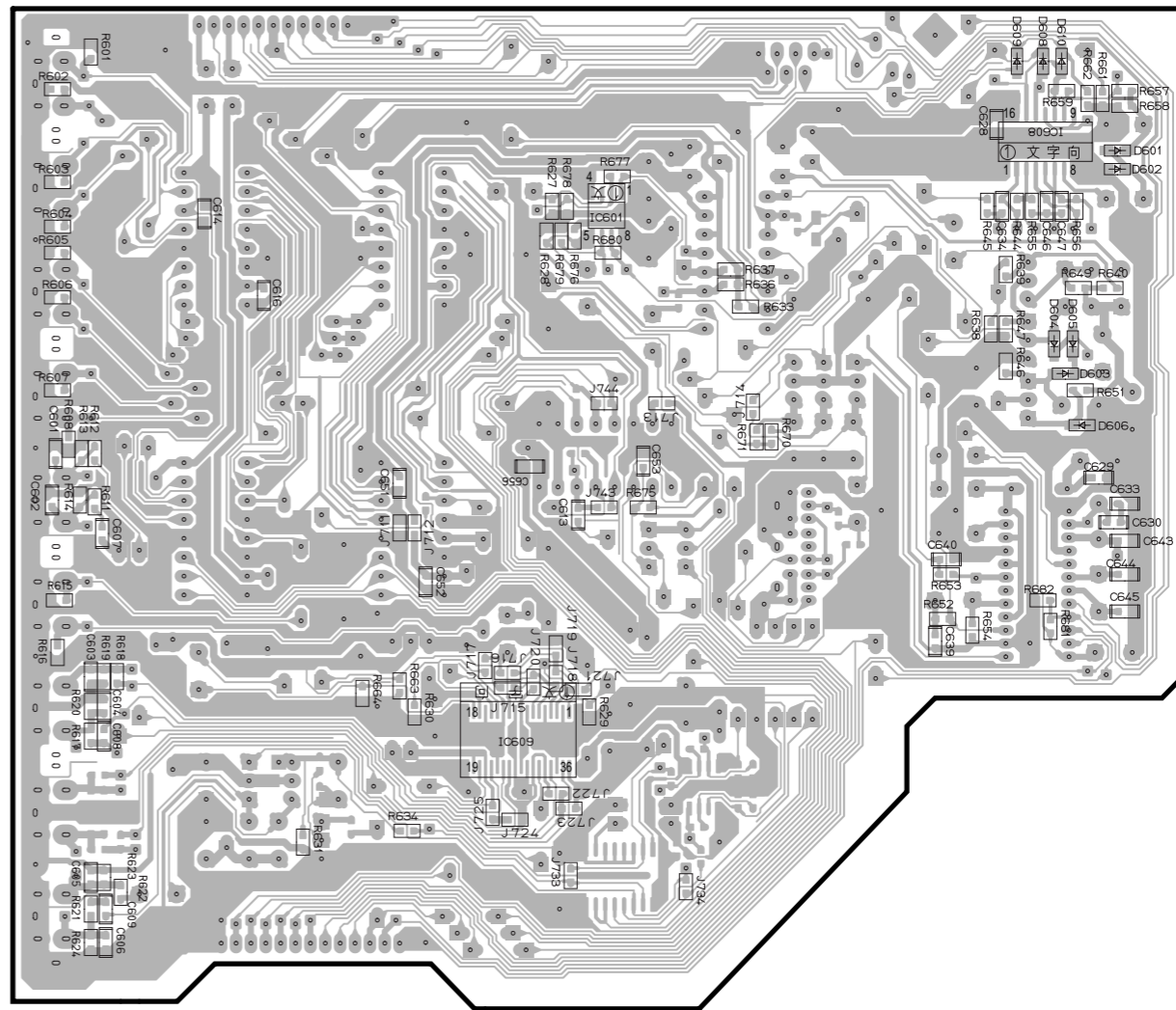
X: NOT USED  
O: USED / APPLICABLE

PRINTED CIRCUIT BOARD (Foil side) RX-V1300/RX-V1300RDS/HTR-5590/DSP-AX1300

VIDEO (1) P. C. B. (Lead Type Device)



VIDEO (1) P. C. B. (Surface Mount Device)



• Semiconductor Location

Ref. No.	Location	Ref. No.	Location
D601	J2	IC608	I2
D602	J2	IC609	H4
D603	J3	IC610	E4
D604	I3	Q601	C4
D605	J3	Q604	B4
D606	J3	Q605	D3
D608	I2	Q606	E3
D609	I2	Q607	E3
D610	I2	Q608	E3
IC601	H2	Q609	D4
IC602	C3	Q610	D3
IC603	B3	Q611	D3
IC607	D3		

Circuit No.	J	U, C	R, T, K	A	B, G
R681	X	X	X	O	O
R682	O	O	O	X	X

X: NOT USED  
 O: USED / APPLICABLE



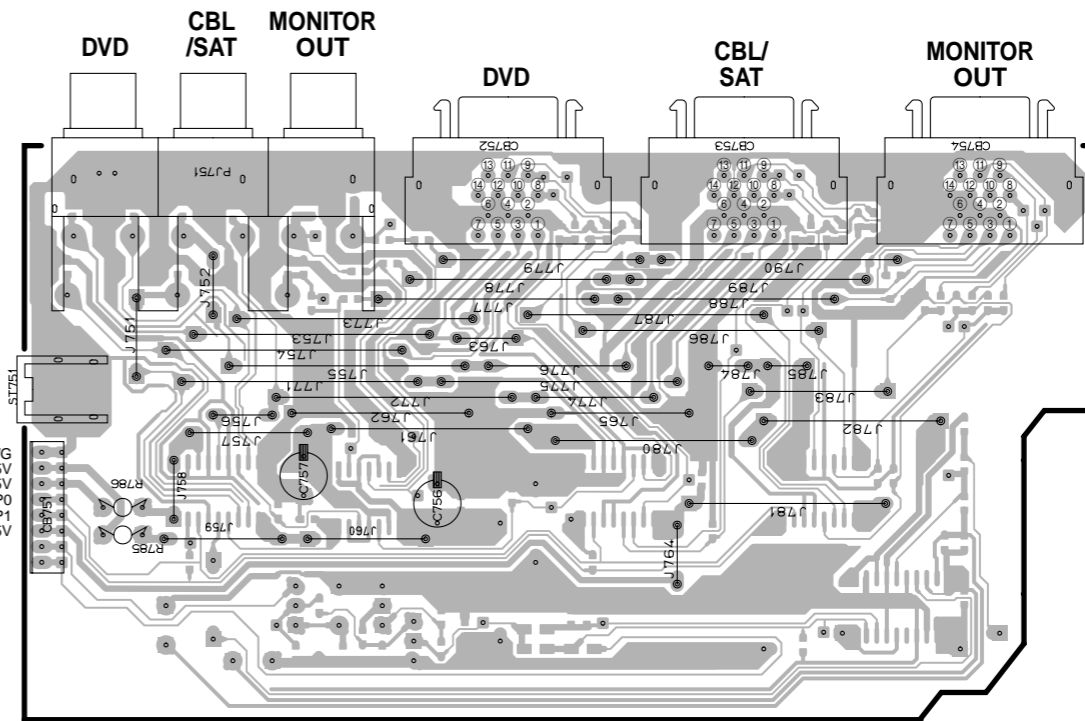
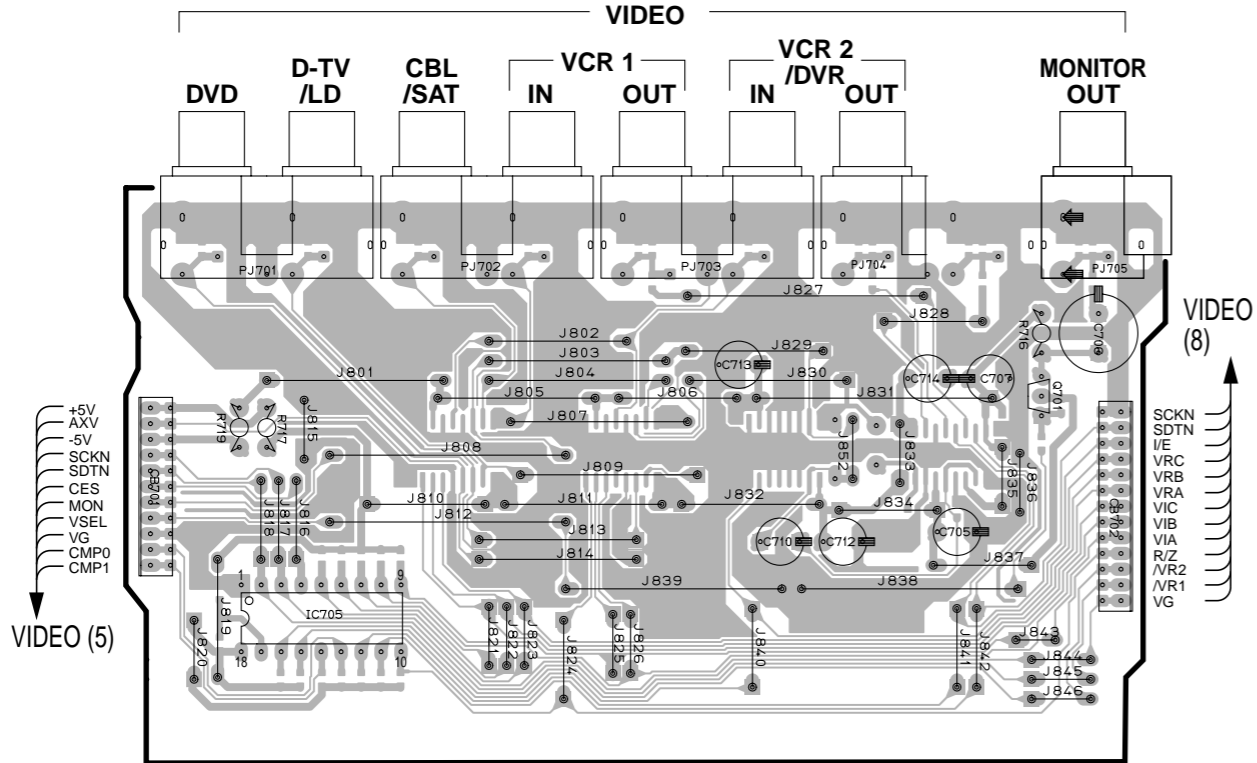
1 ■ PRINTED CIRCUIT BOARD (Foil side) RX-V1300/RX-V1300RDS/HTR-5590/DSP-AX1300

Circuit No.	J	U, C	R, T, K	A	B, G
C758-766, 778-780	O	X	X	X	X
CB752-754	O	X	X	X	X
IC754	O	X	X	X	X
R772-780, 782-784, 787-789	O	X	X	X	X

X: NOT USED  
O: USED / APPLICABLE

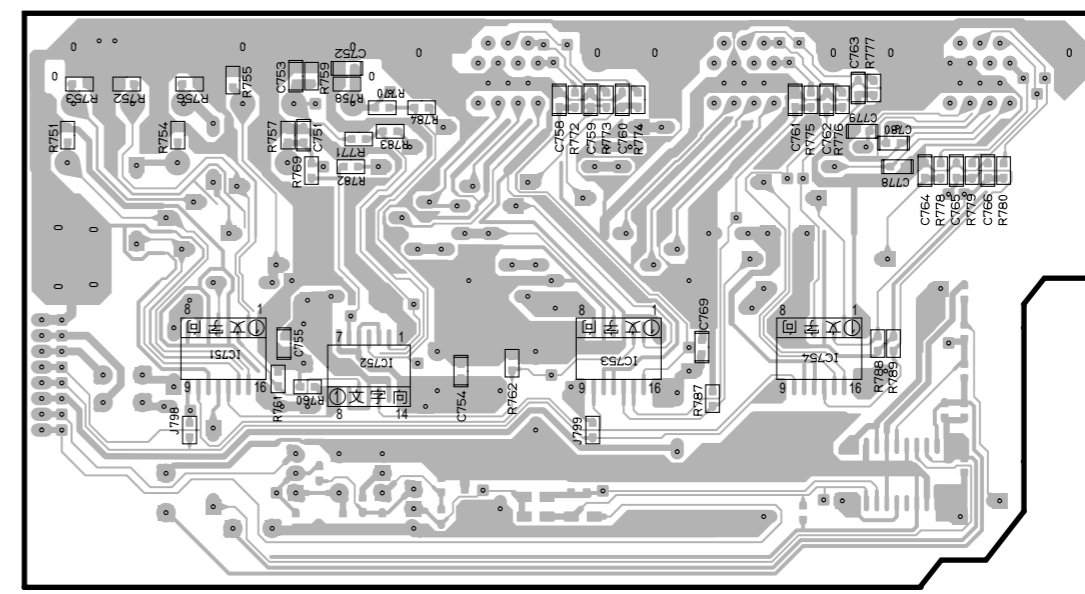
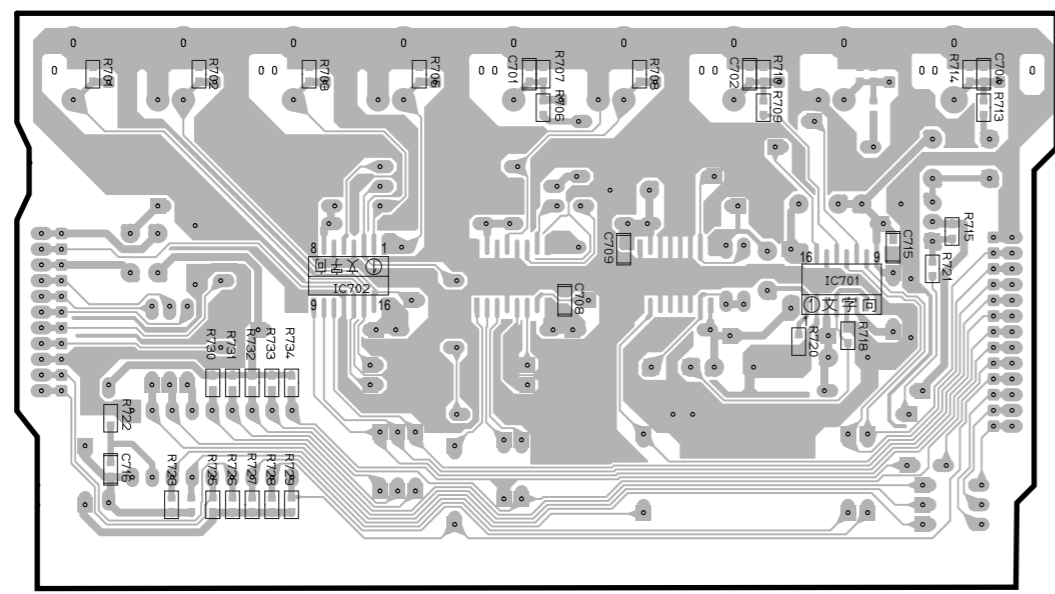
VIDEO (2) P. C. B. (Lead Type Device)

VIDEO (4) P. C. B. (Lead Type Device)



VIDEO (2) P. C. B. (Surface Mount Device)

VIDEO (4) P. C. B. (Surface Mount Device)



• Semiconductor Location

Ref. No.	Location
IC701	D5
IC702	B5
IC705	B3
IC751	F6
IC752	F6
IC753	H6
IC754	H6
Q701	D3

1  
2  
3  
4  
5  
6  
7

PRINTED CIRCUIT BOARD (Foil side) RX-V1300/RX-V1300RDS/HTR-5590/DSP-AX1300

VIDEO (5) P. C. B. (Lead Type Device)

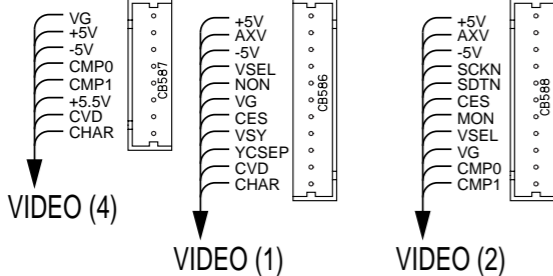
VIDEO (5) P. C. B. (Surface Mount Device)

Tuner

- CE DI
- CL DO
- SND NC
- 5V 12V
- Comp Lout
- GND Rout
- MUTE TUNED
- STEREO

- RXD +12V
- TXD BOOT
- CTS MG
- /RES RTS
- +5M2 RM-
- RM+ TRG1
- TRG2

OPERATION (4)



FUNCTION

- TUL
- TE
- TUR
- 12V
- CE
- DI
- CL
- DO
- Rdo
- Rce
- Rdi/SDTN
- Rck/SCKN
- SCL
- SDA
- SPC
- SPZ2

- 5V
- +5V
- CES
- CEB
- VSY
- RXD
- +12V
- TXD
- BOOT
- CTS
- MG
- /RES
- RTS
- +5M2
- RM-
- RM+

FUNCTION

• Semiconductor Location

Ref. No.	Location
D581	I2
IC581	D2
IC582	I3
Q581	C3
Q582	E2
Q583	D3

Circuit No.	J	U, C	R, T, K	A	B, G
C589, 591-599	X	X	X	X	O
IC581	X	X	X	X	O
L581	X	X	X	X	O
Q581	X	X	X	X	O
R589-598	X	X	X	X	O
XL581	X	X	X	X	O

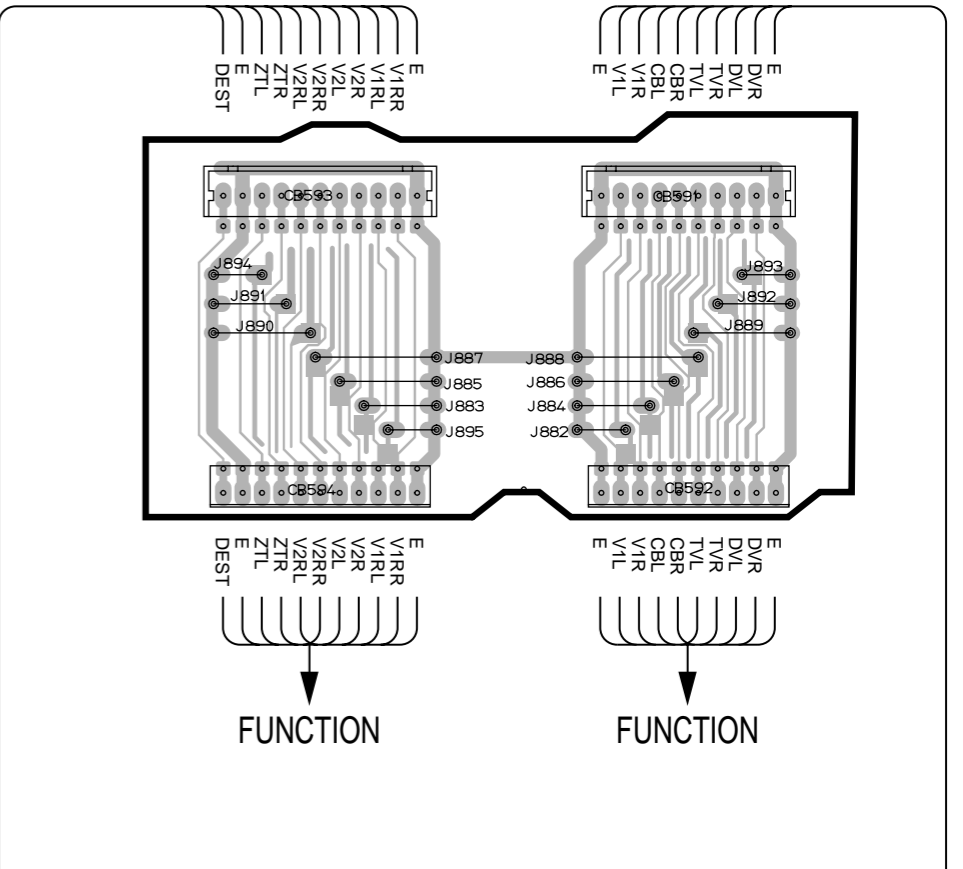
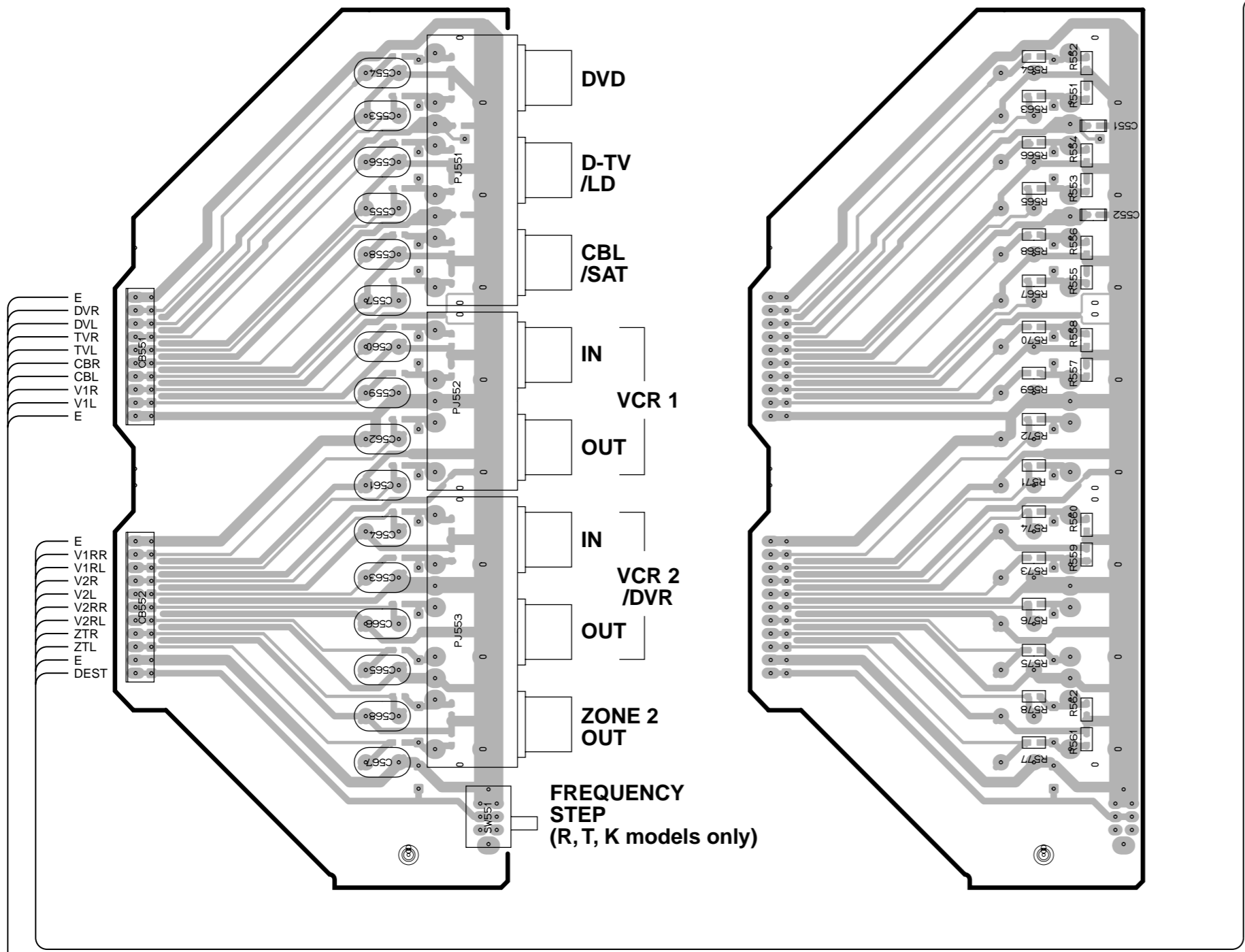
X: NOT USED  
 O: USED / APPLICABLE

1 ■ PRINTED CIRCUIT BOARD (Foil side) RX-V1300/RX-V1300RDS/HTR-5590/DSP-AX1300

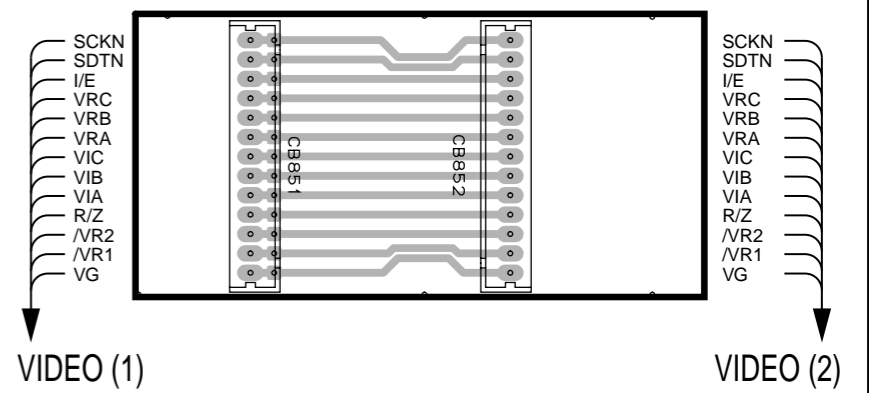
VIDEO (6) P. C. B. (Lead Type Device)

VIDEO (6) P. C. B. (Surface Mount Device)

VIDEO (7) P. C. B. (Lead Type Device)



VIDEO (8) P. C. B. (Lead Type Device)



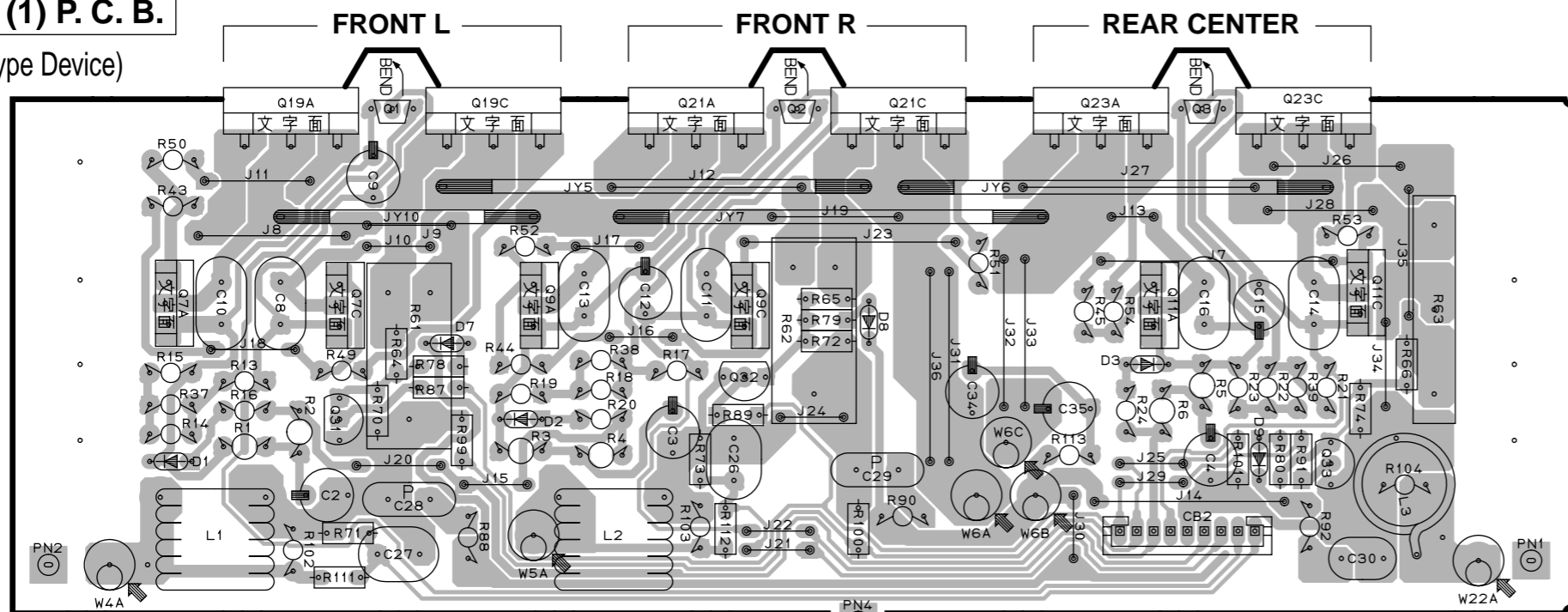
Circuit No.	J	U, C	R, T, K	A	B, G
C567, 568	X	O	X	O	X
R561, 562, 577, 578	X	O	X	O	X
R583	X	O	O	X	X
R584	O	X	X	O	O
R585	X	X	O	O	O
R586	O	O	X	X	X
SW551	X	X	O	X	X

X: NOT USED  
O: USED / APPLICABLE

PRINTED CIRCUIT BOARD (Foil side) **RX-V2300/DSP-AX2300**

**MAIN (1) P. C. B.**

(Lead Type Device)



MAIN (4)

MAIN (4)

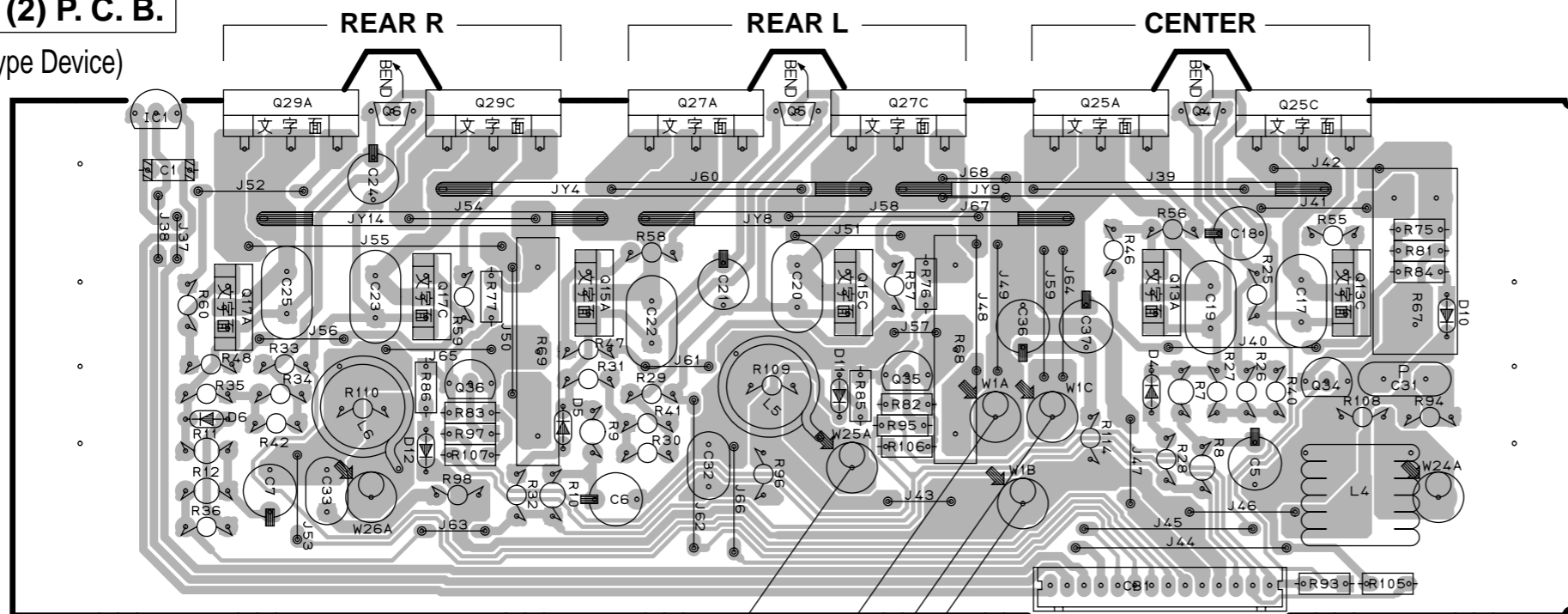
MAIN (3)

POWER (1)

MAIN (3)

**MAIN (2) P. C. B.**

(Lead Type Device)



MAIN (3)

MAIN (3)

MAIN (3)

POWER (1)

MAIN (3)

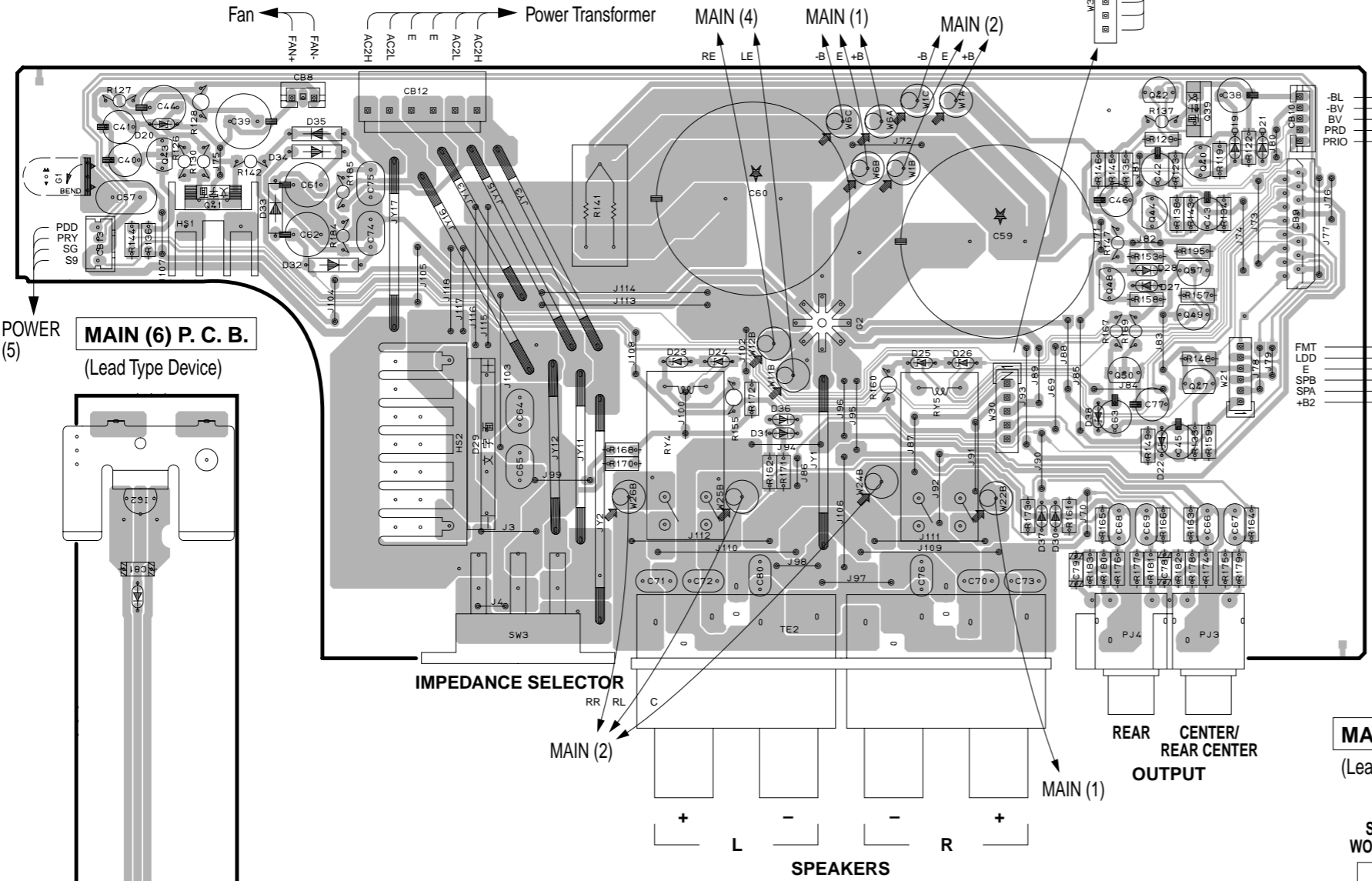
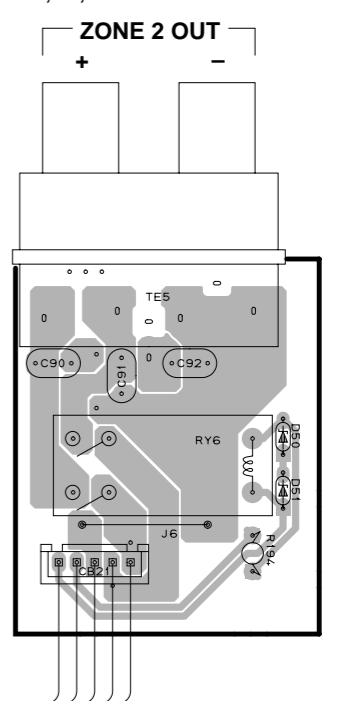
• Semiconductor Location

Ref. No.	Location
D1	B3
D2	C3
D3	F3
D4	F6
D5	C6
D6	B6
D7	C3
D8	E2
D9	F3
D10	G5
D11	E6
D12	C6
IC1	B5
Q1	C2
Q2	D2
Q3	F2
Q4	F5
Q5	D5
Q6	C5
Q7A	B2
Q7C	C2
Q9A	C2
Q9C	D2
Q11A	F2
Q11C	G2
Q13A	F5
Q13C	G5
Q15A	D5
Q15C	E5
Q17A	B5
Q17C	C5
Q19A	B2
Q19C	C2
Q21A	D2
Q21C	E2
Q23A	F2
Q23C	F2
Q25A	F5
Q25C	F5
Q27A	D5
Q27C	E5
Q29A	B5
Q29C	C5
Q31	C3
Q32	D3
Q33	F3
Q34	F6
Q35	E6
Q36	C6

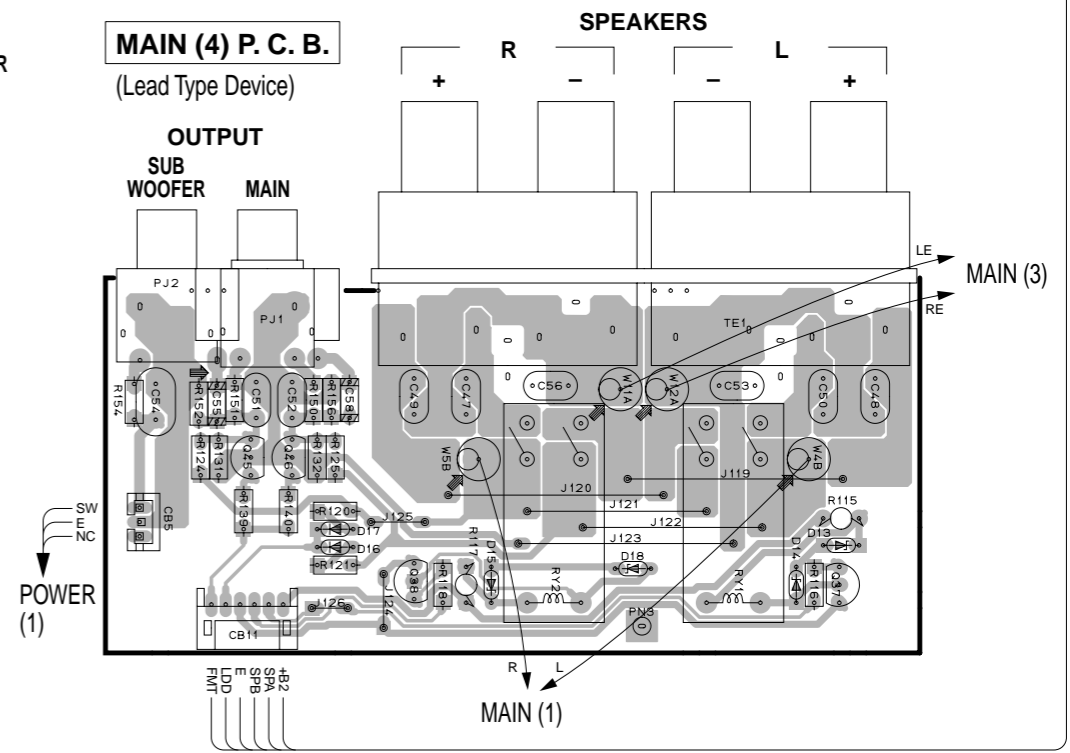
**PRINTED CIRCUIT BOARD (Foil side) RX-V2300/DSP-AX2300**

**MAIN (3) P. C. B.** (Lead Type Device)

**MAIN (5) P. C. B.** (Lead Type Device)  
U, C, A models



**MAIN (4) P. C. B.** (Lead Type Device)



**• Semiconductor Location**

Ref. No.	Location	Ref. No.	Location	Ref. No.	Location	Ref. No.	Location
D13	I6	D24	D3	D35	B2	Q41	B2
D14	I6	D25	E3	D36	D3	Q42	F2
D15	H6	D26	E3	D37	E4	Q43	A2
D16	G6	D27	F3	D38	F3	Q44	F2
D17	G6	D28	F3	D50	I3	Q45	G6
D18	H6	D29	C3	D51	I3	Q46	G6
D19	F2	D30	E4	IC002	A4	Q47	F3
D20	B2	D31	D3	Q37	I6	Q48	F3
D21	F2	D32	B3	Q38	H6	Q49	F3
D22	F3	D33	B2	Q39	F2	Q50	F3
D23	D3	D34	B2	Q40	F2	Q57	F3

Circuit No.	J	U, C	R, T, K	A
C47-50, 53, 56, 71-73, 80	X	X	O	O
C90-92	X	X	X	O
CB21	X	O	X	O
D50, 51	X	O	X	O
J3, 4	O	X	X	X
Q57	X	O	X	O
RY6	X	O	X	O
R195	X	O	X	O
SW3	X	O	O	O
TE5	X	O	X	O
W30	X	O	X	O

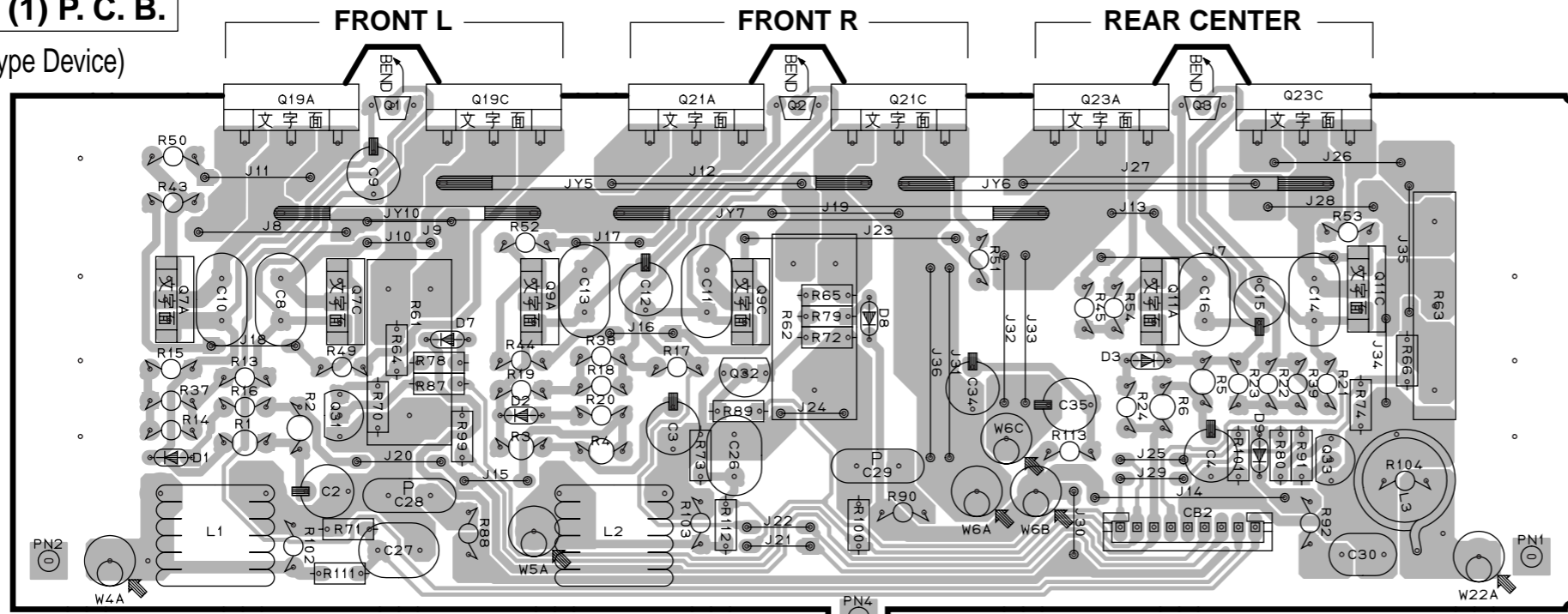
X: NOT USED  
O: USED / APPLICABLE

1  
2  
3  
4  
5  
6  
7

**PRINTED CIRCUIT BOARD (Foil side) RX-V1300/RX-V1300RDS/HTR-5590/DSP-AX1300**

**MAIN (1) P. C. B.**

(Lead Type Device)



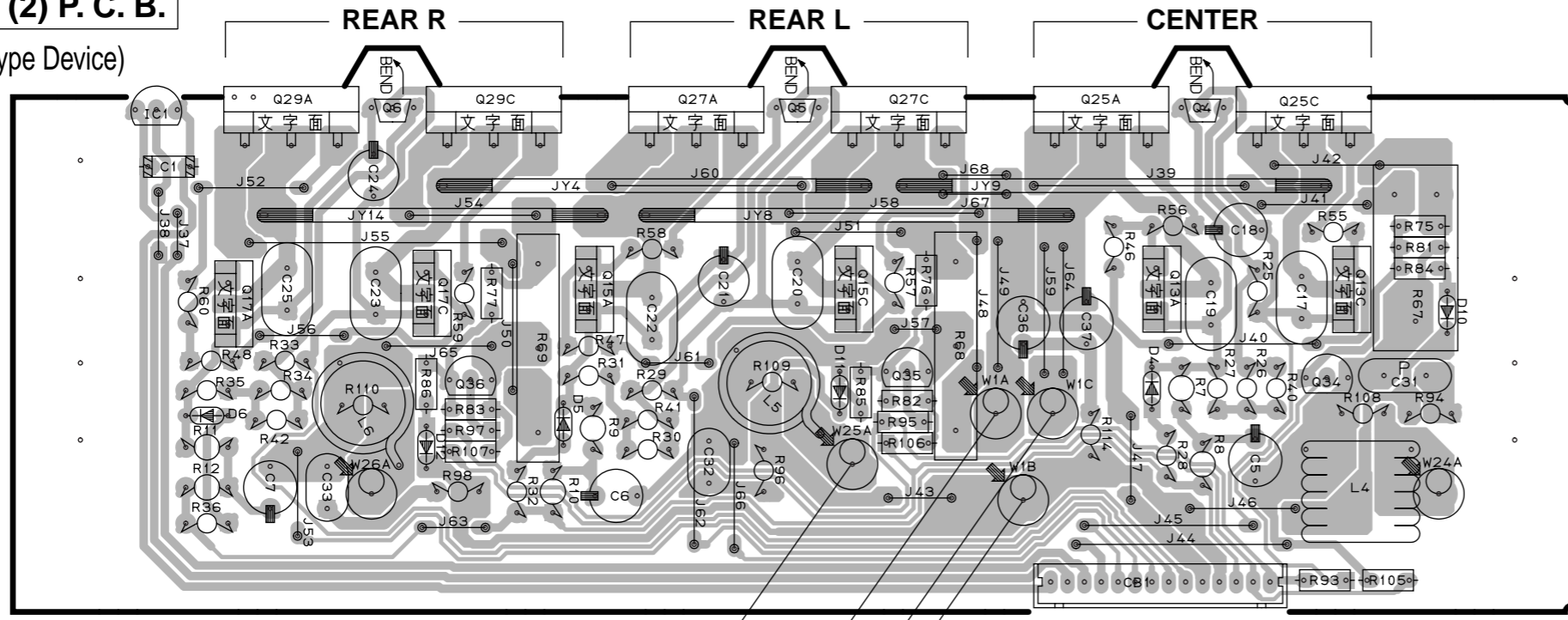
MAIN (4)

MAIN (4)

+B  
B  
E  
MAIN (3)  
POWER (1)  
MAIN (3)

**MAIN (2) P. C. B.**

(Lead Type Device)



MAIN (3)

MAIN (3)

MAIN (3)

+B  
B  
E  
MAIN (3)  
POWER (1)  
MAIN (3)

• Semiconductor Location

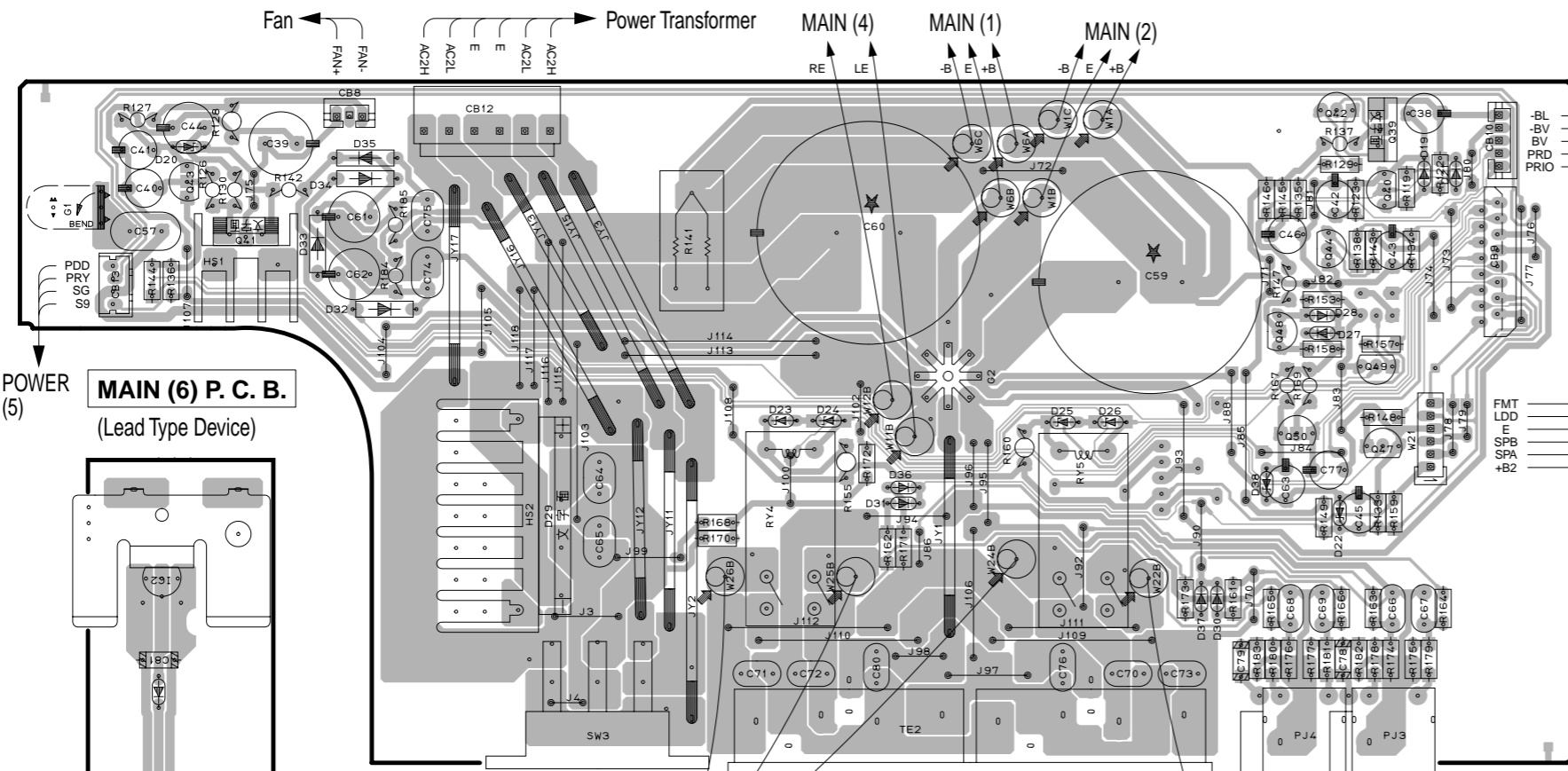
Ref. No.	Location
D1	B3
D2	C3
D3	F3
D4	F6
D5	D6
D6	B6
D7	C3
D8	E2
D9	F3
D10	G5
D11	E6
D12	C6
Q1	C2
Q2	D2
Q3	F2
Q4	F5
Q5	D5
Q6	C5
Q7A	B2
Q7C	C2
Q9A	C2
Q9C	D2
Q11A	F2
Q11C	G2
Q13A	F5
Q13C	G5
Q15A	D5
Q15C	E5
Q17A	B5
Q17C	C5
Q19A	B2
Q19C	C2
Q21A	D2
Q21C	E2
Q23A	F2
Q23C	F2
Q25A	F5
Q25C	F5
Q27A	D5
Q27C	E5
Q29A	B5
Q29C	C5
Q31	C3
Q32	D3
Q33	F3
Q34	F6
Q35	E6
Q36	C6

PRINTED CIRCUIT BOARD (Foil side) RX-V1300/RX-V1300RDS/HTR-5590/DSP-AX1300

Circuit No.	DSP-AX1300	RX-V1300	RX-V1300RDS	HTR-5590
C47-50, 53, 56, 71-73, 80	X	X	O	O
C51, 52, 58, 66-69, 78, 79	O	O	O	X
J3, 4	O	X	X	X
PJ1, 3, 4	O	O	O	X
Q45, 46	O	O	O	X
R124, 125, 131, 132, 139, 140, 150, 151, 156, 163-166, 174-183	O	O	O	X
SW3	X	O	O	O

X: NOT USED  
O: USED / APPLICABLE

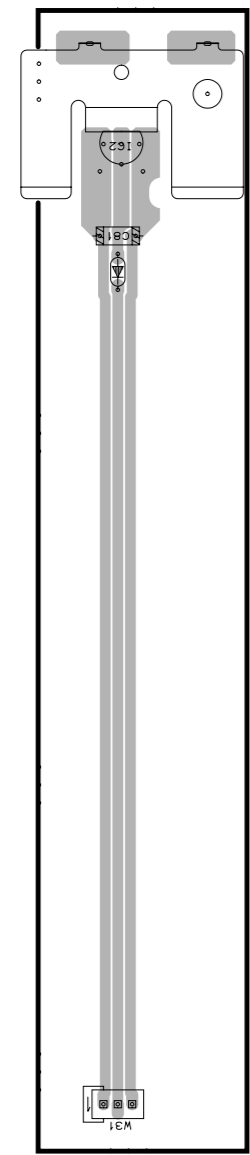
MAIN (3) P. C. B. (Lead Type Device)



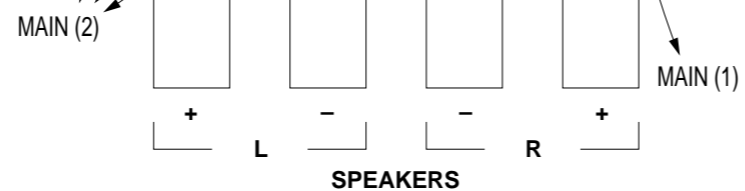
POWER (1)  
-BL  
-BV  
PRD  
PRIO

FUNCTION  
SPC SPZ2  
VP FAN  
PRV MG  
SRV PORY  
LDD ERY  
SPD PRI  
SPA SPB  
PDD PDD  
FMTM

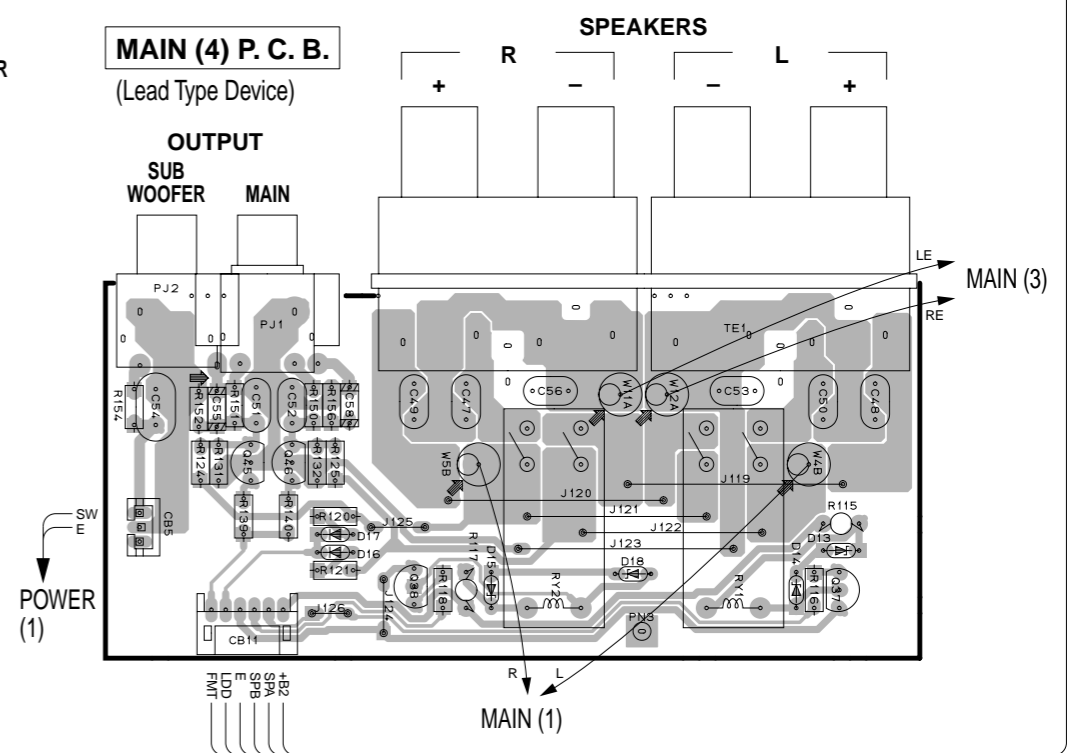
POWER (5)  
MAIN (6) P. C. B. (Lead Type Device)



IMPEDANCE SELECTOR  
RR RL



MAIN (4) P. C. B. (Lead Type Device)



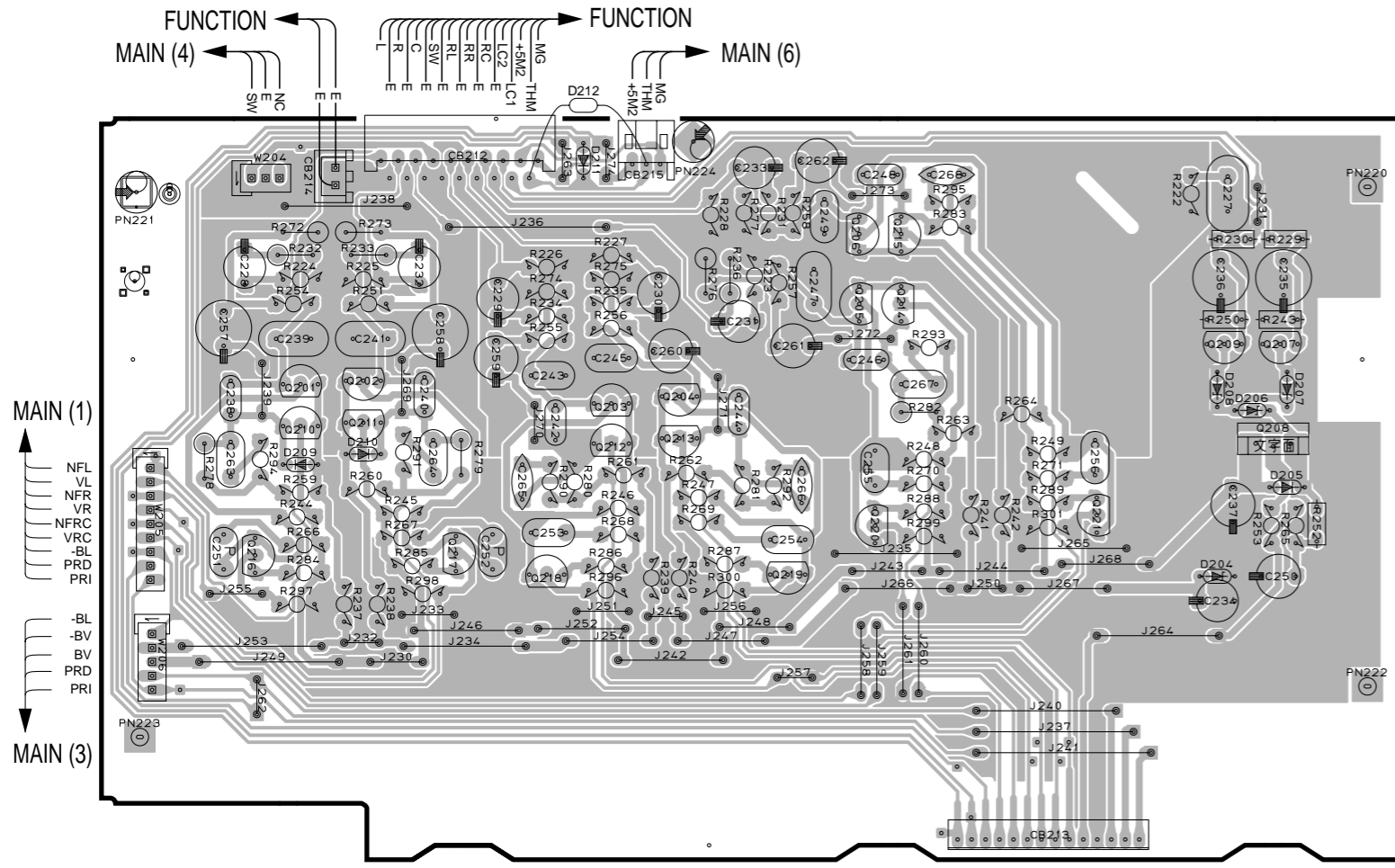
• Semiconductor Location

Ref. No.	Location	Ref. No.	Location	Ref. No.	Location	Ref. No.	Location
D13	I6	D24	D3	D35	B2	Q44	F2
D14	I6	D25	E3	D36	D3	Q45	G6
D15	H6	D26	E3	D37	E4	Q46	G6
D16	G6	D27	F3	D38	F3	Q47	F3
D17	G6	D28	F3	Q37	I6	Q48	F3
D18	H6	D29	C3	Q38	H6	Q49	F3
D19	F2	D30	E4	Q39	F2	Q50	F3
D20	B2	D31	D3	Q40	F2		
D21	F2	D32	B3	Q41	B2		
D22	F3	D33	B2	Q42	F2		
D23	D3	D34	B2	Q43	A2		

POWER (1)  
Z91+  
Z92+  
Z93+  
Z94+  
Z95+  
Z96+  
Z97+  
Z98+  
Z99+  
Z100+

PRINTED CIRCUIT BOARD (Foil side) RX-V2300/DSP-AX2300

POWER (1) P. C. B. (Lead Type Device) RX-V1300/RX-V1300RDS/HTR-5590/DSP-AX1300



Circuit No.	J	U, C	R, T, K	A	B, G
C235	X	O	O	O	O
CB206, 207	X	X	O	X	X
CB208, 209	X	X	O	X	X
D207	X	O	O	O	O
F201	X	X	O	X	X
J201	X	X	O	X	X
Q207	X	O	O	O	O
R186, 187, 189	X	X	O	X	X
R193	X	O	X	X	X
R229, 243	X	O	O	O	O
SW201	X	X	O	X	X

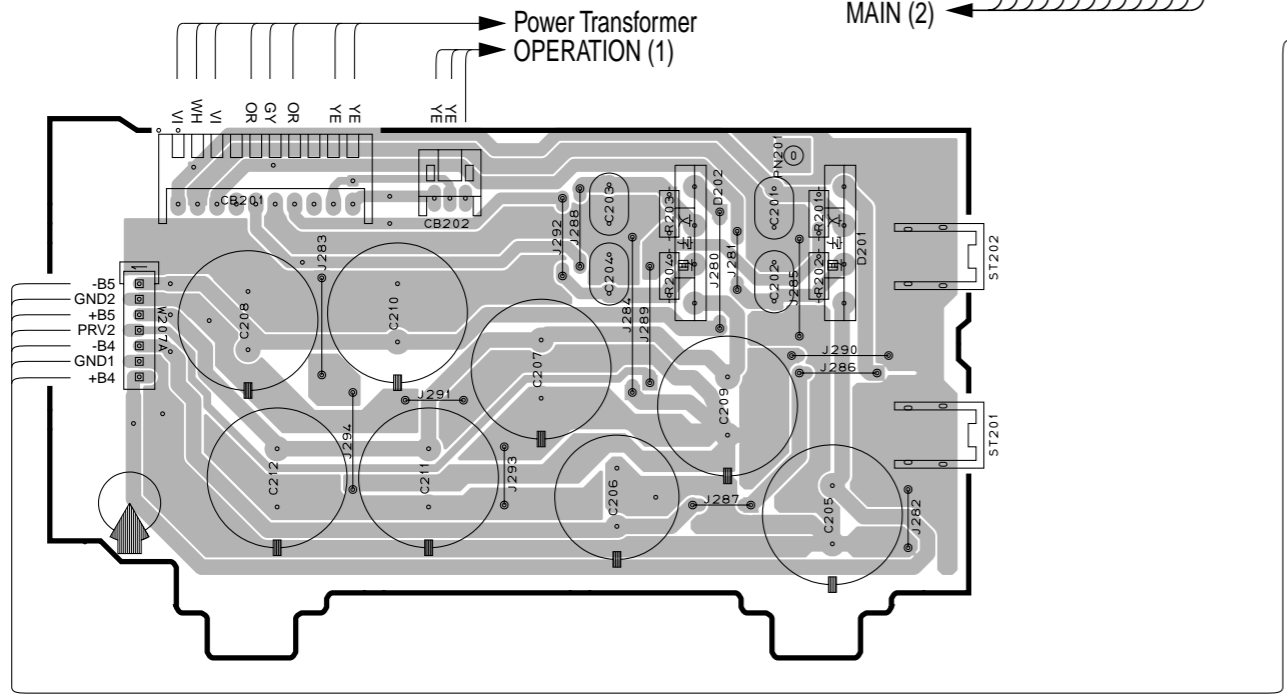
X: NOT USED  
O: USED / APPLICABLE

Semiconductor Location

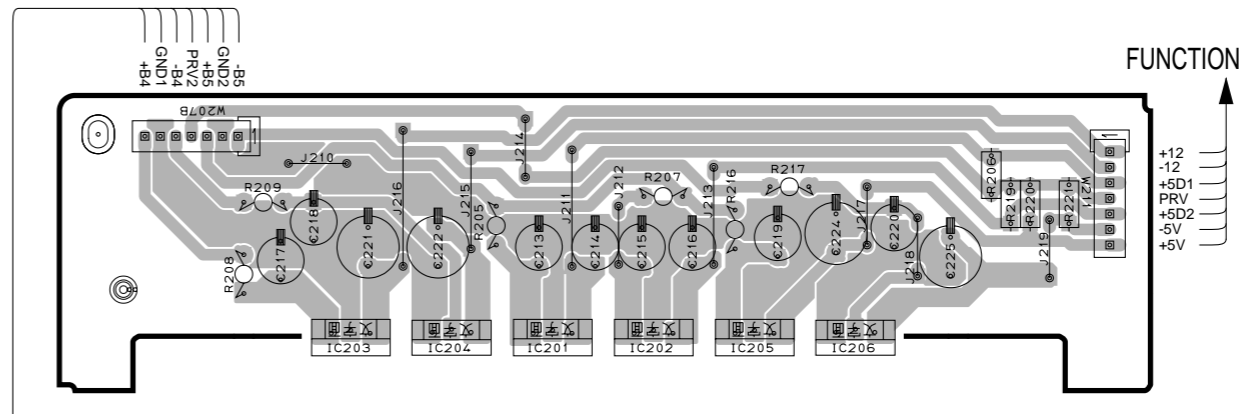
Ref. No.	Location
D201	D6
D202	C6
D204	E4
D205	E3
D206	E3
D207	E3
D208	E3
D209	B3
D210	B3
D211	C2
D212	C2
IC201	G6
IC202	G6
IC203	F6
IC204	G6
IC205	H6
IC206	H6
Q201	B3
Q202	B3
Q203	C3
Q204	C3
Q205	D3
Q206	D2
Q207	E3
Q208	E3
Q209	E3
Q210	B3
Q211	B3
Q212	C3
Q213	C3
Q214	D3
Q215	D2
Q216	B3
Q217	B3
Q218	C4
Q219	D4
Q220	D3
Q221	E3

1  
2  
3  
4  
5  
6  
7

POWER (2) P. C. B. (Lead Type Device)



POWER (3) P. C. B. (Lead Type Device)





PRINTED CIRCUIT BOARD (Foil side) **RX-V2300/DSP-AX2300**

**RX-V1300/RX-V1300RDS/HTR-5590/DSP-AX1300**

• Semiconductor Location

Ref. No.	Location
D39	H5
D40	G5
D41	G5
D42	H4
D43	F5
D44	F5
D45	F5
D46	G5
D47	F5
D48	H4
D49	F5
Q51	G5
Q52	G4
Q53	H4
Q54	G5
Q55	H4
Q56	H4

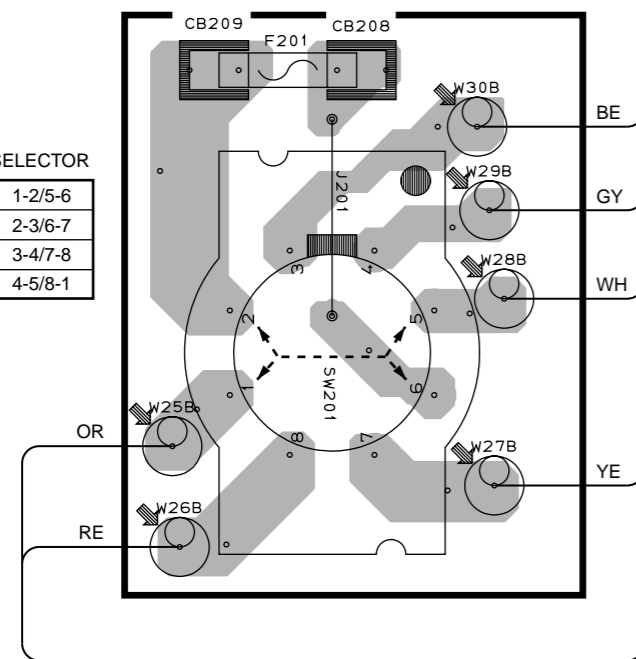
**POWER (4) P. C. B.**

(Lead Type Device)

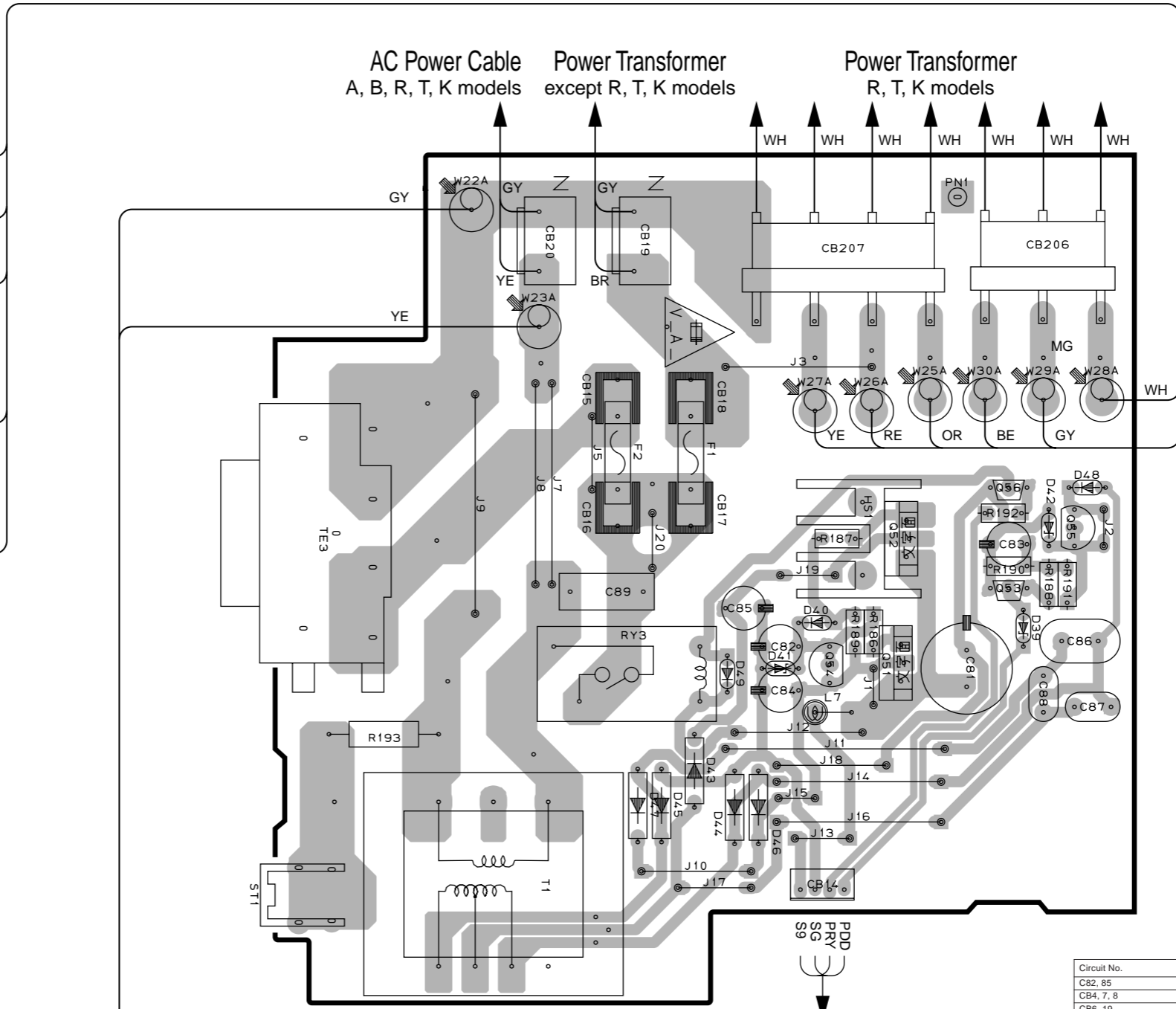
R, T, K models

VOLTAGE SELECTOR

240V	1-2/5-6
220V	2-3/6-7
110V	3-4/7-8
120V	4-5/8-1



**POWER (5) P. C. B.** (Lead Type Device)

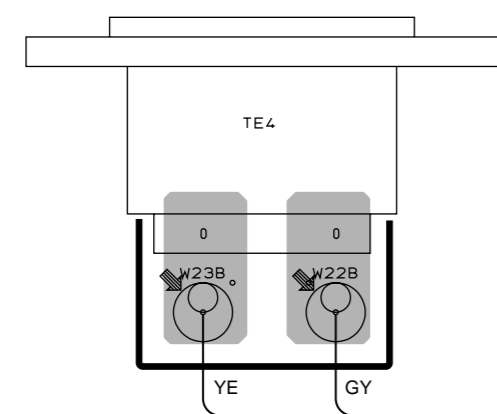


MAIN (3)

**POWER (6) P. C. B.**

(Lead Type Device)

U, C, G, J models

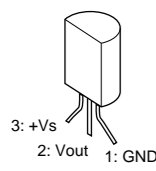
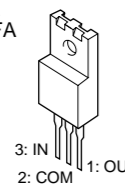
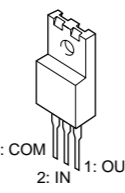
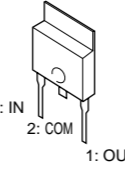
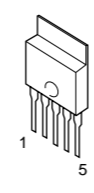
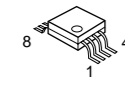
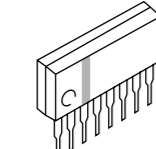
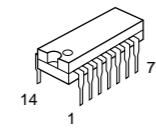
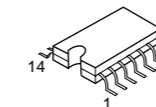
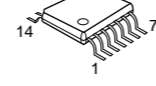
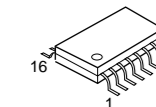
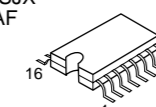
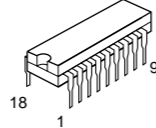
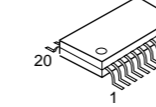
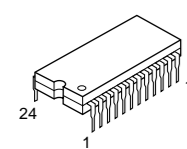
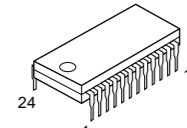
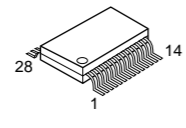
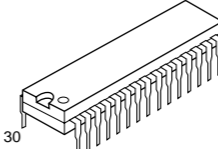
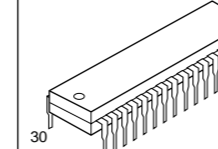
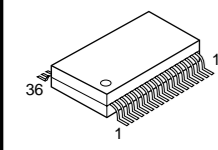
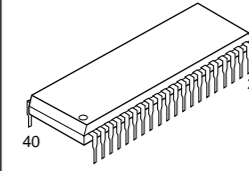
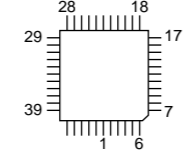
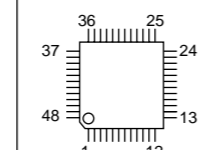
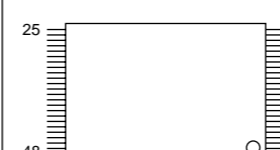
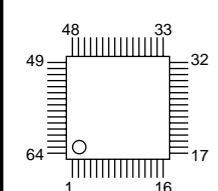
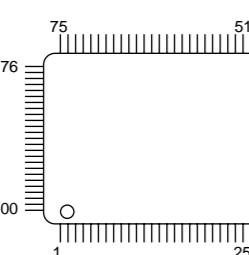
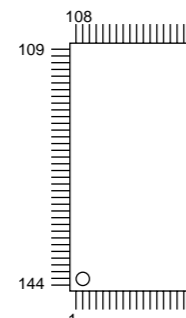
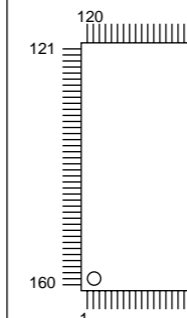


Circuit No.	J	U, C	R, T, K	A	B, G
C82, 85	X	X	O	X	X
CB4, 7, 8	X	X	O	X	X
CB6, 19	O	O	X	O	O
CB15, 16	X	X	X	X	O
CB20	X	X	O	O	X
D40-43	X	X	O	X	X
F2	X	X	X	X	O
J1, 2	O	O	X	O	O
J3	X	X	O	X	X
J5	O	O	O	O	X
PN1	O	O	X	O	O
Q51, 52, 54, 55	X	X	O	X	X
ST1	X	O	X	X	X
TE4	O	O (HTR-5590: X)	X	X	O
W22, 23	O	O (HTR-5590: X)	X	X	O
W25-30	X	X	O	X	X

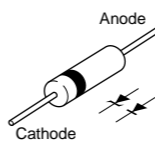
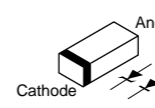
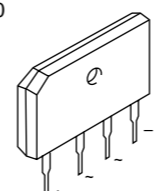
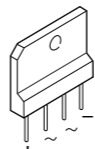
X: NOT USED  
O: USED / APPLICABLE

## ■ PIN CONNECTION DIAGRAM



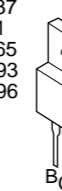
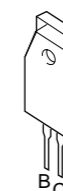
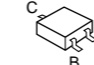

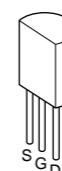
### • ICs

<p>LM61CIZ</p>  <p>3: +Vs 2: Vout 1: GND</p>	<p>AN78N05 NJM7805FA NJM78M12FA</p>  <p>3: IN 2: COM 1: OUT</p>	<p>NJM79M05FA NJM79M12FA</p>  <p>3: COM 2: IN 1: OUT</p>	<p>μPC29M33T-E1</p>  <p>3: IN 2: COM 1: OUT</p>	<p>PQ025EZ5MZP</p>  <p>1 5</p>
<p>NJM2068MD NJM2904M TK15420M μPC4570G2</p>  <p>8 1 4</p>	<p>NJM4556AL</p>  <p>8</p>	<p>TC4066BP</p>  <p>14 1 7</p>	<p>TC74HCT00AF TC74HCU04AF TC74HCT08AF</p>  <p>14 1 7</p>	<p>NJM2581M TC4066BF-T1</p>  <p>14 1 7</p>
<p>ADM202JRN-REEL7 LA7108M M62320FP</p>  <p>16 1 8</p>	<p>MM74HC4051N MM74HC4051SJX MM74HC4053N MM74HC4053SJX TC74HC4052AF</p>  <p>16 1 8</p>	<p>BU2092</p>  <p>18 1 9</p>	<p>CS4392-KZR CS5360-KSR YAC520-EE2</p>  <p>20 1 10</p>	
<p>LC72722</p>  <p>24 1 12</p>	<p>LC74781-9798</p>  <p>24 1 12</p>	<p>CY62256LL</p>  <p>28 1 14</p>	<p>LC78211 LC78213</p>  <p>30 1 15</p>	<p>LC78212</p>  <p>30 1 15</p>
<p>LA7109</p>  <p>36 1 18</p>	<p>MSM514260E-60JS</p>  <p>40 1 20</p>	<p>CS493292-CLR</p>  <p>28 18 17 29 39 40 44 6 7</p>	<p>CS4382-KQR</p>  <p>36 25 24 37 48 1 12 13</p>	<p>MX29F400BTC-70</p>  <p>25 24 48 1</p>
<p>M66003-0101FP</p>  <p>48 33 32 49 64 1 16 17</p>	<p>XC9572XL-10TQ100C</p>  <p>75 51 50 76 100 1 25 26</p>	<p>M30805SGP</p>  <p>108 73 72 109 144 1 36 37</p>	<p>YSS938-F</p>  <p>120 81 80 121 160 1 40 41</p>	

### • Diodes

<p>1N4002S 1SS133 1SS270A 1T2</p>  <p>Anode Cathode</p>	<p>MTZJ4.7C MTZJ5.1A MTZJ6.2C MTZJ9.1A MTZJ10.0A MTZJ10.0B MTZJ12.0C MTZJ20.0C MTZJ24.0C MTZJ33.0B</p>	<p>1SS355 1SS380 MA8051-M MA8056-M MA8068-H MA8082-H RB501V-40 UDZS5.6BTE-17</p>  <p>Anode Cathode</p>
<p>D2SBA20</p> 	<p>D15XB20</p> 	

### • Transistors

<p>2SA893A 2SA970 2SA1015 2SB949 2SC535 2SC1815 2SC1890A 2SC2240 2SC2878</p>  <p>E C B</p>	<p>2SC1740S 2SD1915F</p>  <p>E C B</p>	<p>2SA1837 2SB941 2SB1565 2SC4793 2SD2396</p>  <p>B C E</p>	<p>2SA1492 2SC3856</p>  <p>B C E</p>
<p>2SA1037K 2SC2412K 2SC3326 DTA144EKA DTC144EKA</p>  <p>C E B</p>	<p>2SA1708 2SC4488</p>  <p>E C B</p>	<p>2SK246</p>  <p>S G D</p>	

# SCHEMATIC DIAGRAM (DSP)

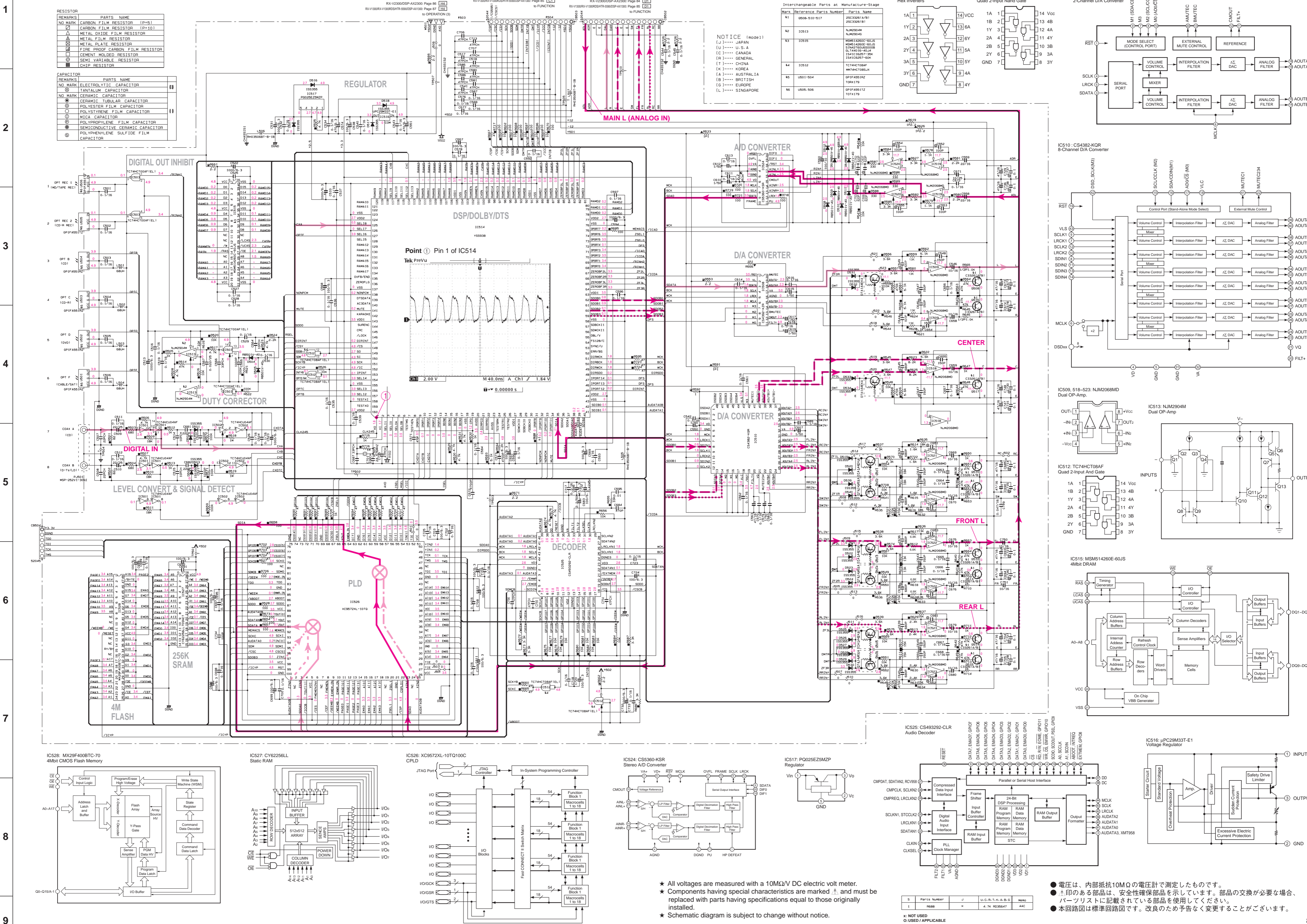
RX-V2300/DSP-AX2300/RX-V1300/RX-V1300RDS/HTR-5590/DSP-AX1300

RESISTOR

REMARKS	PARTS NAME
□	CARBON FILM RESISTOR (P=5)
△	CARBON FILM RESISTOR (P=10)
▲	METAL OXIDE FILM RESISTOR
△	METAL FILM RESISTOR
□	METAL PLATE RESISTOR
□	7 PIN PROOF CARBON FILM RESISTOR
□	CEMENT MOLDED RESISTOR
□	SEMI VARIABLE RESISTOR
□	CHIP RESISTOR

CAPACITOR

REMARKS	PARTS NAME
□	ELECTROLYTIC CAPACITOR
□	TANTALUM CAPACITOR
□	CERAMIC CAPACITOR
□	CERAMIC TUBULAR CAPACITOR
□	POLYESTER FILM CAPACITOR
□	POLYSTYRENE FILM CAPACITOR
□	MICA CAPACITOR
□	POLYPROPYLENE FILM CAPACITOR
□	SEMICONDUCTIVE CERAMIC CAPACITOR
□	POLYBENZENE SULFIDE FILM CAPACITOR



1  
2  
3  
4  
5  
6  
7  
8  
9

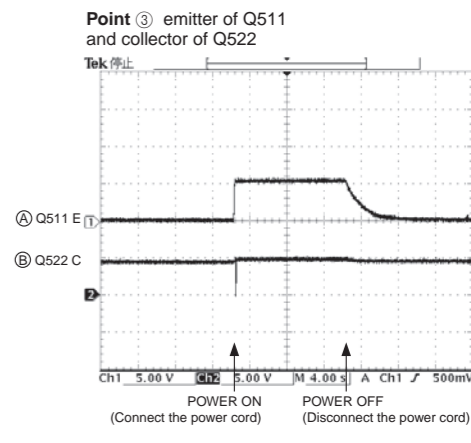
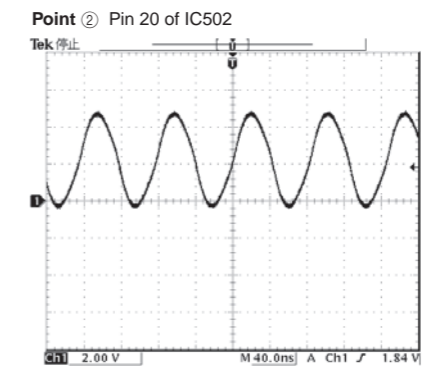
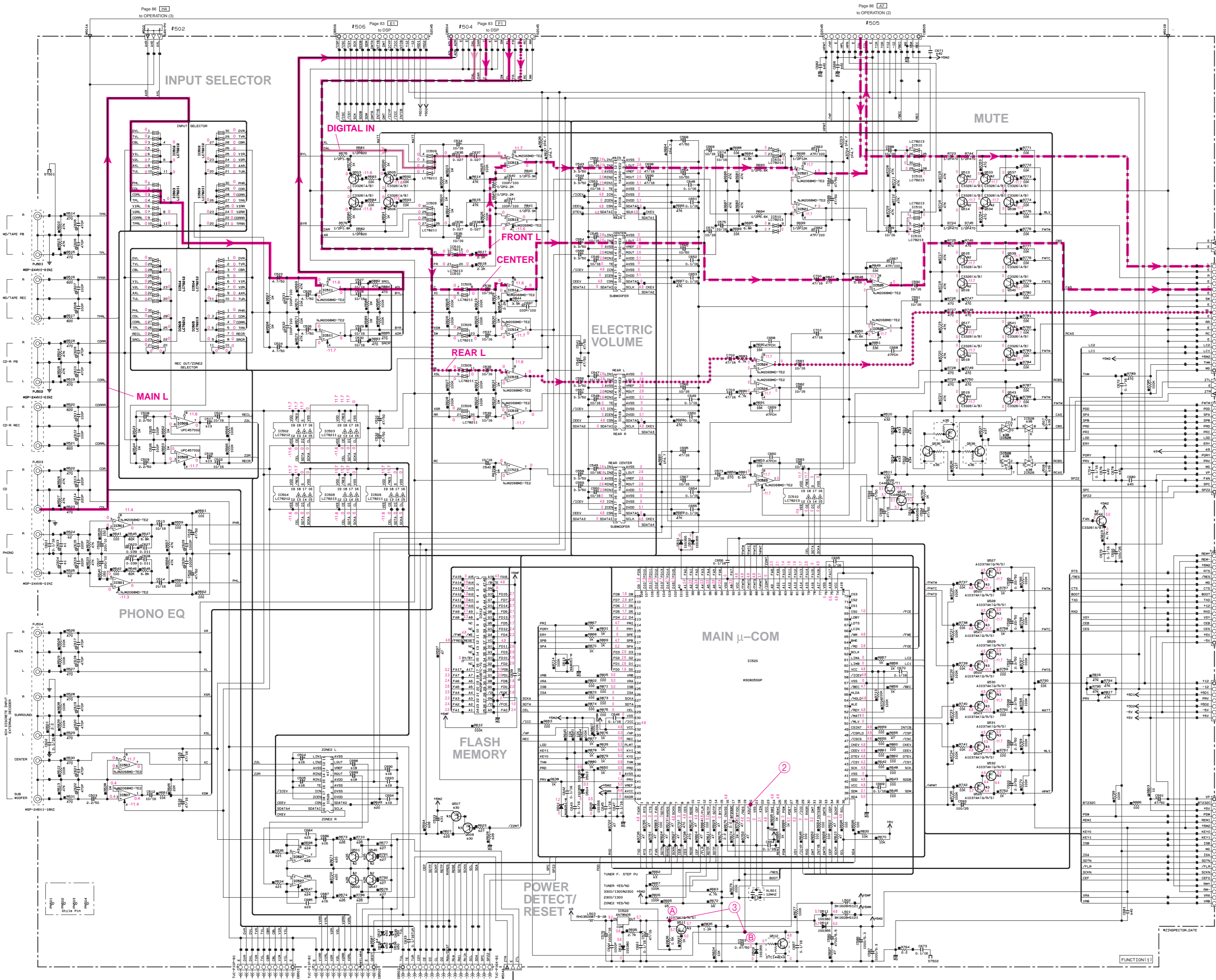
★ All voltages are measured with a 10MΩ/V DC electric volt meter.  
 ★ Components having special characteristics are marked with a triangle (▲) and must be replaced with parts having specifications equal to those originally installed.  
 ★ Schematic diagram is subject to change without notice.

● 電圧は、内部抵抗10MΩの電圧計で測定したものです。  
 ● 1印のある部品は、安全性確保部品を示しています。部品の交換が必要な場合、パーツリストに記載されている部品を使用してください。  
 ● 本回路図は標準回路図です。改良のため予告なく変更することがございます。

S	Part Number	J	U	C	B	T	K	A	B	D	REMARKS
1	7805										▲

● NOT USED  
 ○ USED / APPLICABLE

# SCHEMATIC DIAGRAM (FUNCTION) RX-V2300/DSP-AX-2300



IC	Part No.	QTY	Remarks
1	IC003-804	X	IC003-804
2	IC004-805	X	IC004-805
3	IC005	X	IC005
4	IC007	X	IC007
5	IC008	X	IC008
6	IC009	X	IC009
7	IC010	X	IC010
8	IC011	X	IC011
9	IC012	X	IC012
10	IC013	X	IC013
11	IC014	X	IC014
12	IC015	X	IC015
13	IC016	X	IC016
14	IC017	X	IC017
15	IC018	X	IC018
16	IC019	X	IC019
17	IC020	X	IC020
18	IC021	X	IC021
19	IC022	X	IC022
20	IC023	X	IC023
21	IC024	X	IC024
22	IC025	X	IC025
23	IC026	X	IC026
24	IC027	X	IC027
25	IC028	X	IC028
26	IC029	X	IC029
27	IC030	X	IC030
28	IC031	X	IC031
29	IC032	X	IC032
30	IC033	X	IC033
31	IC034	X	IC034
32	IC035	X	IC035
33	IC036	X	IC036
34	IC037	X	IC037
35	IC038	X	IC038
36	IC039	X	IC039
37	IC040	X	IC040
38	IC041	X	IC041
39	IC042	X	IC042
40	IC043	X	IC043

**NOTICE (mode1)**

(J) JAPAN  
(U) U.S.A.  
(C) CANADA  
(G) GENERAL  
(T) CHINA  
(K) KOREA  
(A) AUSTRALIA  
(B) BRITISH  
(E) EUROPE  
(L) SINGAPORE

Interchangeable Parts at Manufacture Stage

IC	Part No.	QTY	Remarks
81	IC001-801	X	IC001-801
82	IC002-802	X	IC002-802
83	IC003-803	X	IC003-803
84	IC004-804	X	IC004-804
85	IC005-805	X	IC005-805

CAPACITOR	REMARKS	PARTS NAME	IC
NO MARK		ELECTROLYTIC CAPACITOR	II
NO MARK		TANTALUM CAPACITOR	II
NO MARK		CERAMIC CAPACITOR	II
NO MARK		CERAMIC TUBULAR CAPACITOR	II
NO MARK		POLYESTER FILM CAPACITOR	II
NO MARK		POLYPROPYLENE FILM CAPACITOR	II
NO MARK		POLYBUTYLENE FILM CAPACITOR	II
NO MARK		SEMICONDUCTIVE CERAMIC CAPACITOR	II
NO MARK		POLYPHENYLENE SULFIDE FILM CAPACITOR	II

★ All voltages are measured with a 10MΩ/V DC electric volt meter.

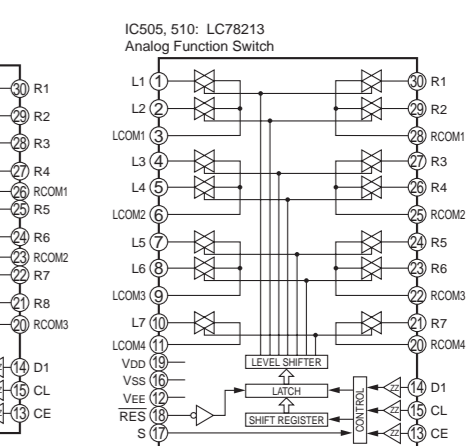
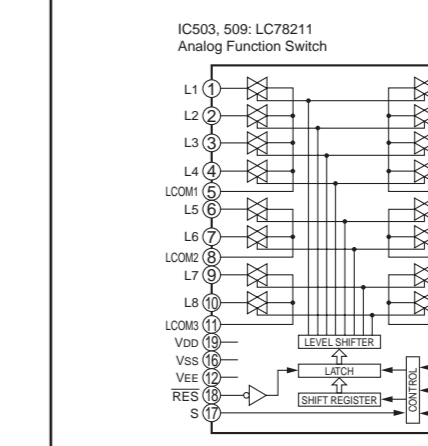
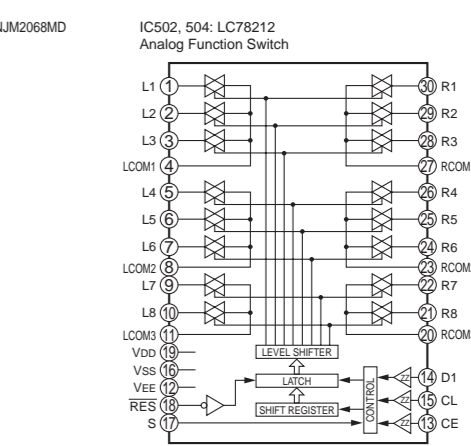
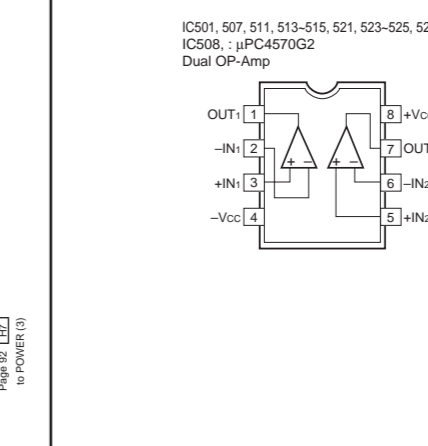
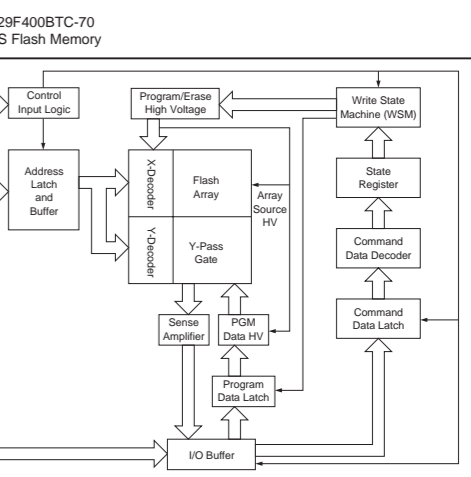
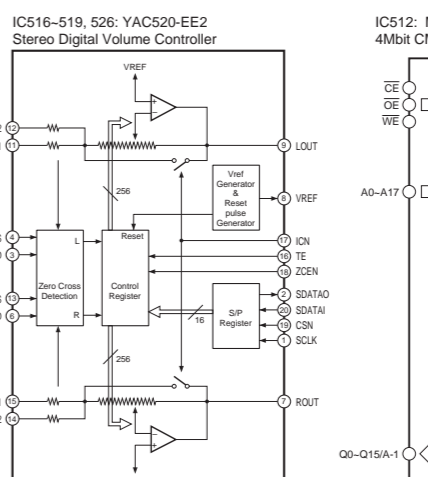
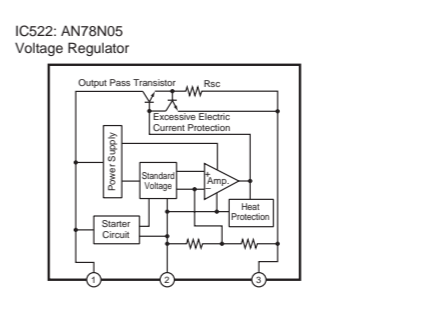
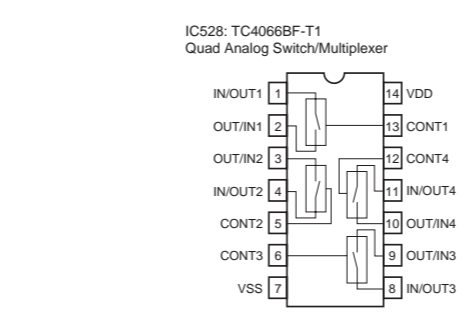
★ Components having special characteristics are marked ⚡ and must be replaced with parts having specifications equal to those originally installed.

★ Schematic diagram is subject to change without notice.

● 電圧は、内部抵抗10MΩの電圧計で測定したものです。

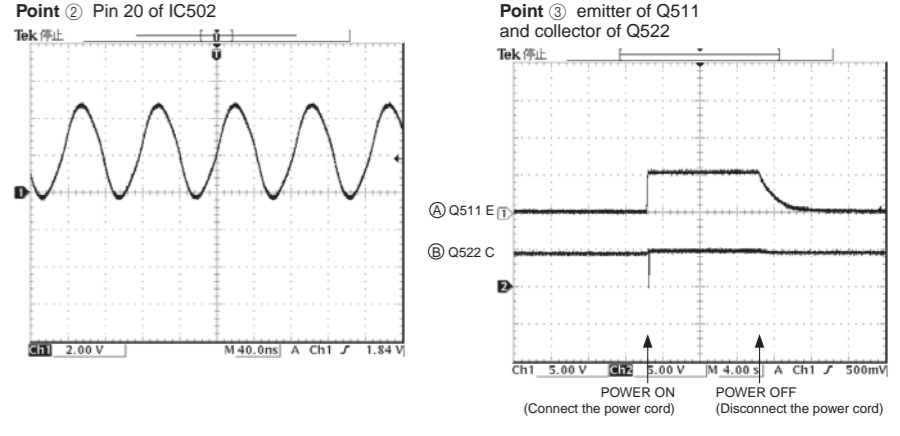
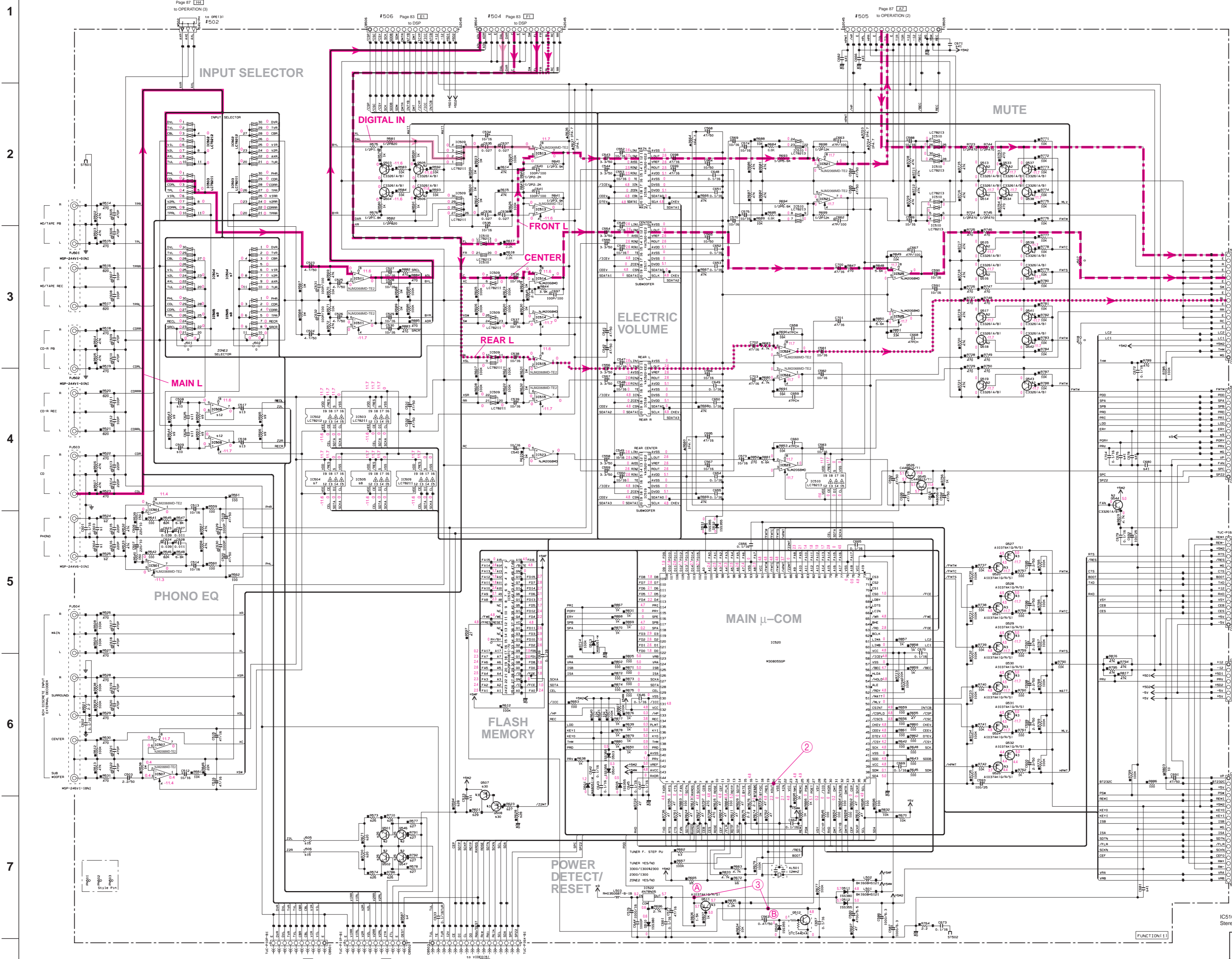
● ⚡印のある部品は、安全性確保部品を示しています。部品の交換が必要な場合、パーツリストに記載されている部品を使用してください。

● 本回路図は標準回路図です。改良のため予告なく変更することがございます。

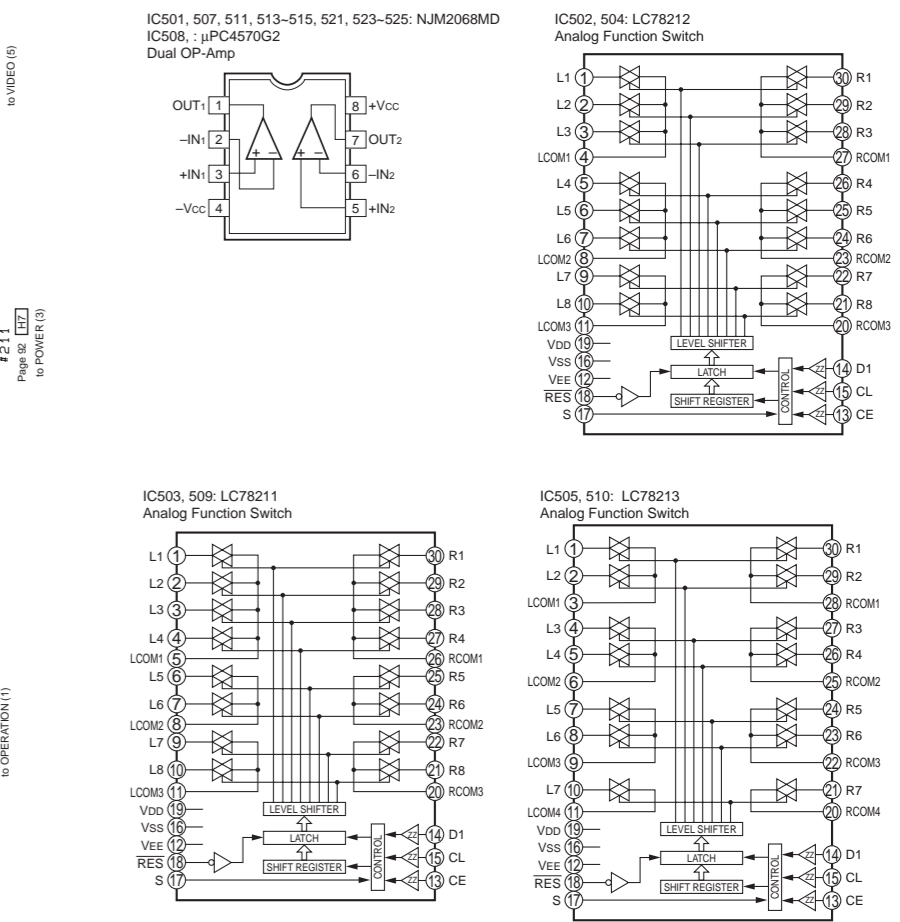


# SCHEMATIC DIAGRAM (FUNCTION) RX-V1300/RX-V1300RDS/HTR-5590/DSP-AX1300

RX-V2300/DSP-AX2300/RX-V1300/RX-V1300RDS/HTR-5590/DSP-AX1300



IC Part No.	J	K	A	B-D	Comments
1 C503-604	x	x	x	x	DSP-AX1300
2 PR24-525	47	100K/47	47	2.2K	DCOP
3 PR60	x	100K	100K	10K	LINEAR
4 PR67	x	x	47	x	TA-111
5 PR65	x	100K	100K	10K	TA-111
6 PR72	4.7K	100K/47	4.7K	100K	TA-111
7 IC004	x	LC7802	x	LC7802	TA-111
8 IC005	x	LC7813	x	LC7813	TA-111
9 PR43-544-552	x	100K	x	100K	TA-111
10 IC006-509	x	LM8502	x	LM8502	TA-111
11 IC005-508	x	LM8502	x	LM8502	TA-111
12 IC008	x	LM8502	x	LM8502	TA-111
13 IC011-518	x	LM8502	x	LM8502	TA-111
15 IC005-508	x	LM8502	x	LM8502	TA-111
20 PR71-700	x	47K	47K	100K/47	TA-111
25 PR72-514	x	100K	x	100K	TA-111
26 PR71-515	x	100K	x	100K	TA-111
27 PR71-516-523	x	100K	x	100K	TA-111
28 PR64-628	x	100K	x	100K	TA-111
29 PR61	x	100K	x	100K	TA-111
30 PR67-508	x	100K	x	100K	TA-111
31 IC033	x	2.2/50	x	2.2/50	TA-111
41 IC006-511-517-521-523-525-525	x	0.1/16	x	0.1/16	FCC



NOTICE (mode1)

Interchangeable parts at Manufacturer's Stage

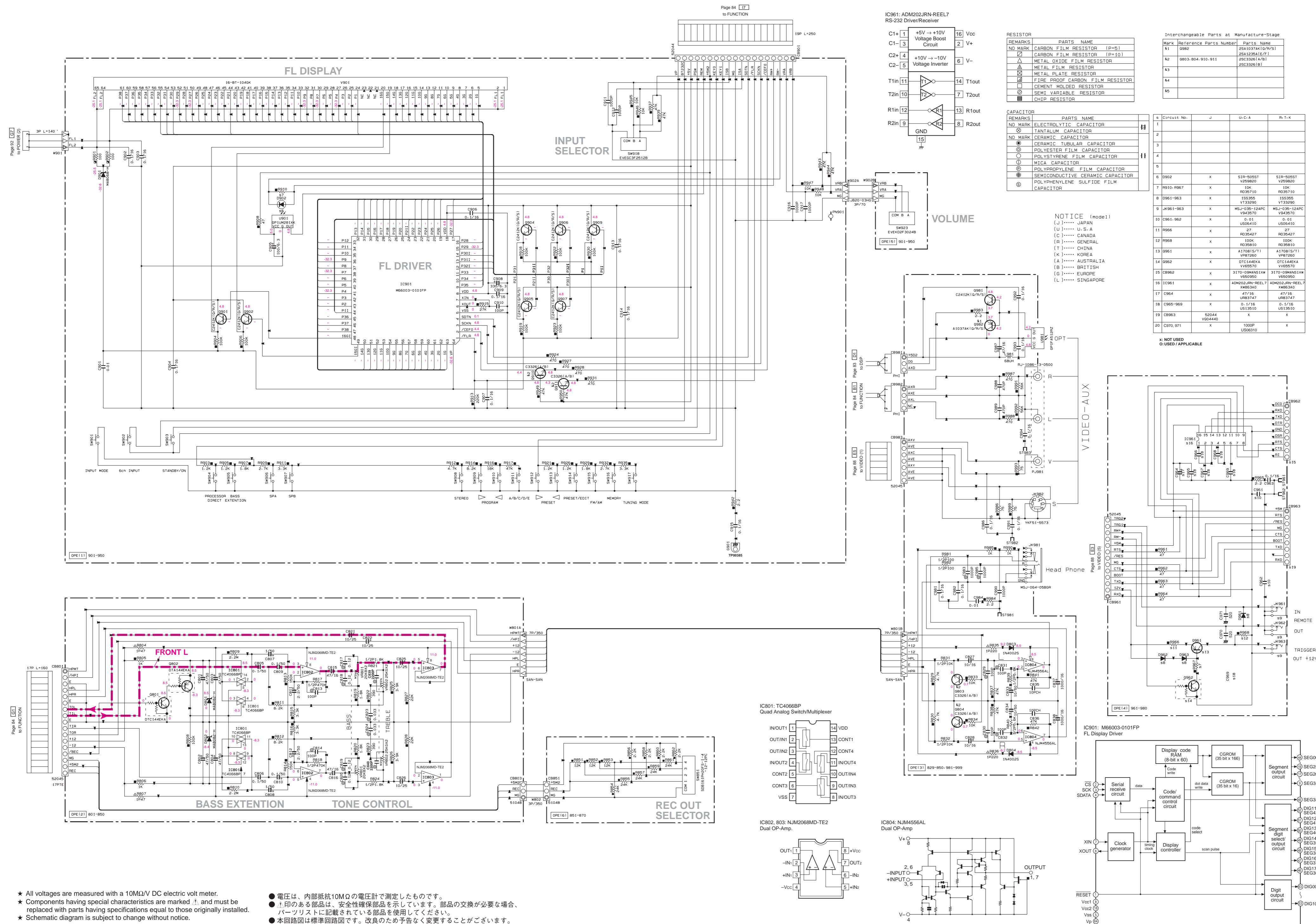
Part No.	Reference Part Name	Part Name	Stage
1	001-106-913-913-913-913	001-106-913-913-913-913	1
2	001-106-913-913-913-913	001-106-913-913-913-913	1
3	001-106-913-913-913-913	001-106-913-913-913-913	1
4	001-106-913-913-913-913	001-106-913-913-913-913	1
5	001-106-913-913-913-913	001-106-913-913-913-913	1

NO.	MARK	PARTS NAME	REMARKS
1	NO MARK	TANTALUM CAPACITOR	
2	NO MARK	CERAMIC CAPACITOR	
3	NO MARK	CERAMIC TUBULAR CAPACITOR	
4	NO MARK	POLYESTER FILM CAPACITOR	
5	NO MARK	POLYPROPYLENE FILM CAPACITOR	
6	NO MARK	POLYBENZENE FILM CAPACITOR	
7	NO MARK	MICA CAPACITOR	
8	NO MARK	POLYPROPYLENE FILM CAPACITOR	
9	NO MARK	SEMICONDUCTIVE CERAMIC CAPACITOR	
10	NO MARK	POLYPHENYLENE SULFIDE FILM CAPACITOR	

★ All voltages are measured with a 10MΩ/V DC electric volt meter.  
 ★ Components having special characteristics are marked with a triangle and must be replaced with parts having specifications equal to those originally installed.  
 ★ Schematic diagram is subject to change without notice.

● 電圧は、内部抵抗10MΩの電圧計で測定したものです。  
 ● 印のある部品は、安全性確保部品を示しています。部品の交換が必要な場合、パーツリストに記載されている部品を使用してください。  
 ● 本回路図は標準回路図です。改良のため予告なく変更することがあります。

SCHEMATIC DIAGRAM (OPERATION) RX-V2300/DSP-AX-2300



IC961: ADM202JRN-REEL7 RS-232 Driver/Receiver

C1+	1	+5V → +10V Voltage Boost Circuit	16	Vcc
C1-	3		2	V+
C2+	4	+10V → -10V Voltage Inverter	6	V-
C2-	5			
T1in	11		14	T1out
T2in	10		7	T2out
R1in	12		13	R1out
R2in	9		8	R2out
			15	GND

RESISTOR

REMARKS	PARTS NAME
NO MARK	CARBON FILM RESISTOR (P=5)
△	CARBON FILM RESISTOR (P=10)
□	METAL OXIDE FILM RESISTOR
◇	METAL FILM RESISTOR
○	FINE DRUDGE CARBON FILM RESISTOR
□	CEMENT MOLDED RESISTOR
◇	SEMI VARIABLE RESISTOR
■	CHIP RESISTOR

Interchangeable Parts at Manufacture Stage

Mark	Reference Parts Number	Parts Name
k1	0982	25A133741(0/0/51)
k2	0803, 804, 910, 911	25A1235A1E(F/1)
k3		25C3261A/B/1
k4		25C3261A/B/1
k5		

CAPACITOR

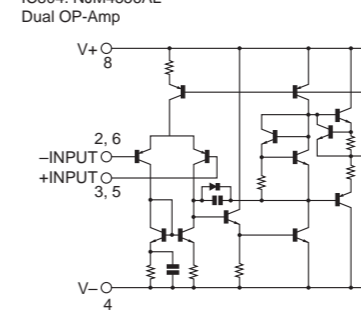
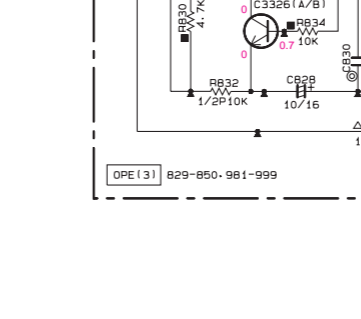
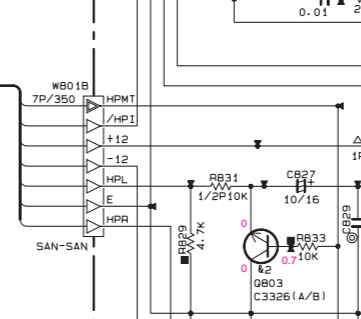
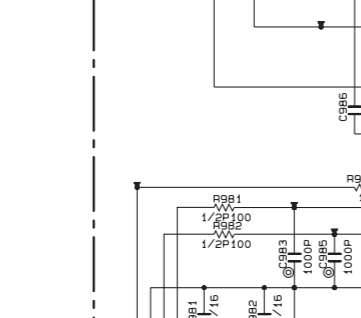
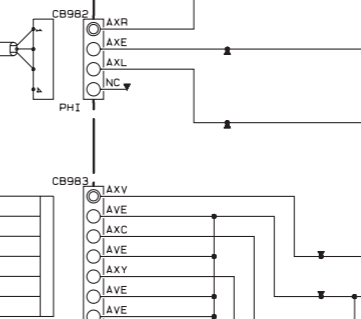
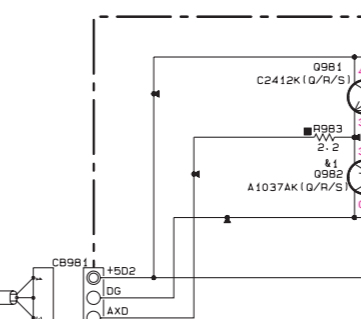
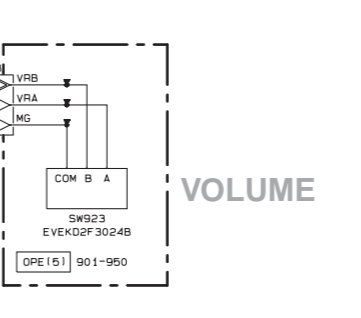
REMARKS	PARTS NAME
NO MARK	ELECTROLYTIC CAPACITOR
⊗	TANTALUM CAPACITOR
○	CERAMIC CAPACITOR
⊙	CERAMIC TUBULAR CAPACITOR
⊕	POLYESTER FILM CAPACITOR
⊖	POLYSTYRENE FILM CAPACITOR
⊗	MICA CAPACITOR
⊕	POLYPROPYLENE FILM CAPACITOR
⊖	SEMICONDUCTIVE CERAMIC CAPACITOR
⊙	POLYPHENYLENE SULFIDE FILM CAPACITOR

NOTICE (mode1)

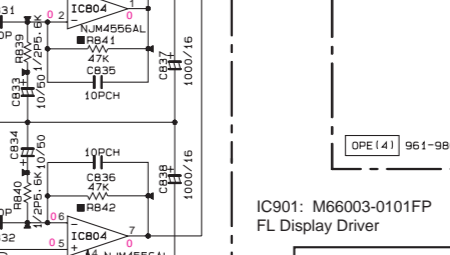
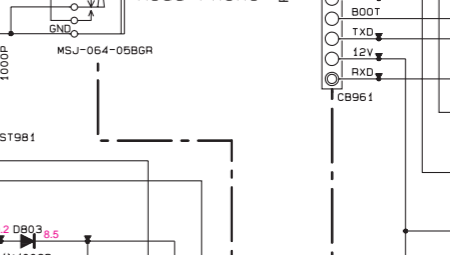
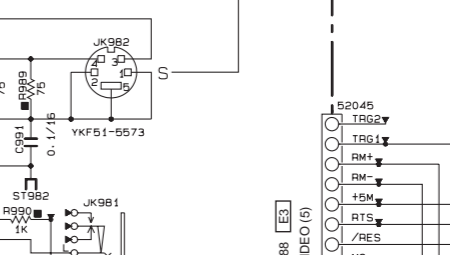
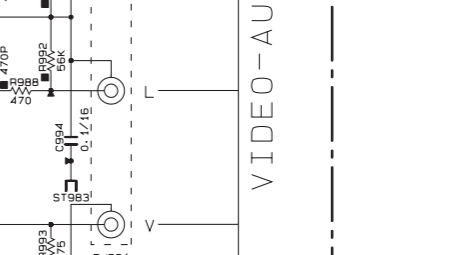
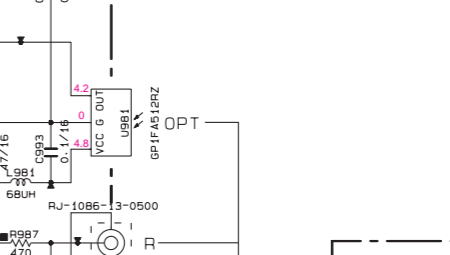
(J)..... JAPAN  
(U)..... U.S.A  
(C)..... CANADA  
(R)..... GENERAL  
(T)..... CHINA  
(K)..... KOREA  
(A)..... AUSTRALIA  
(B)..... BRITISH  
(G)..... EUROPE  
(L)..... SINGAPORE

IC	Circuit No.	J	U.C.A	R.T.K
1				
2				
3				
4				
5				
6	D902	X	S1R-80551	S1R-80551
7	R910-R967	X	10K	10K
8	D961-963	X	15S395	15S395
9	JK961-963	X	MS-138-12APC	MS-138-12APC
10	C961, 962	X	0.01	0.01
11	R966	X	27	27
12	R968	X	100K	100K
13	D961	X	A170815/T1	A170815/T1
14	D962	X	DT144EKA	DT144EKA
15	C962	X	3170-DSMANS1X	3170-DSMANS1X
16	IC961	X	ADM202JRN-REEL7	ADM202JRN-REEL7
17	C964	X	UR83747	UR83747
18	C965-969	X	0.1/16	0.1/16
19	C963	X	1000P	1000P
20	C970, 971	X	US83310	US83310

NOT USED  
○ USED / APPLICABLE



IC901: M66003-0101FP FL Display Driver

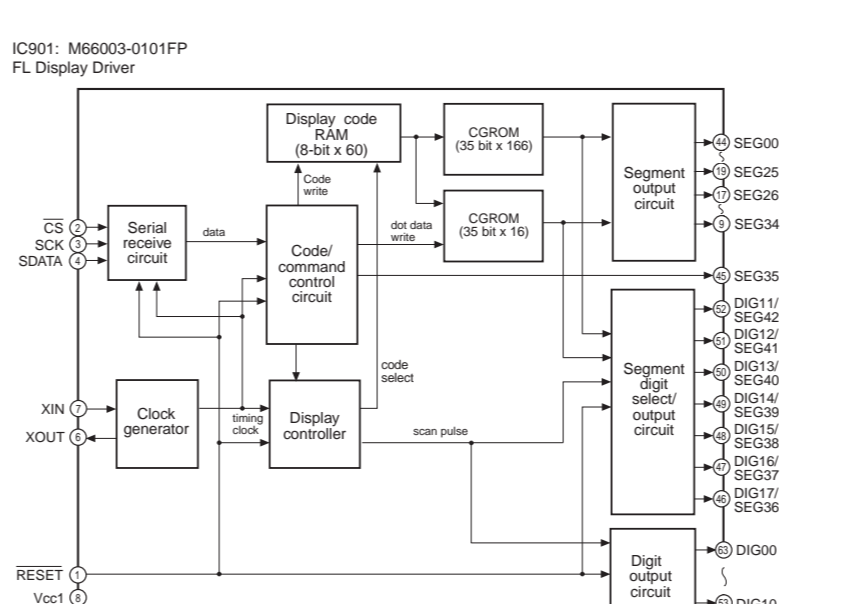
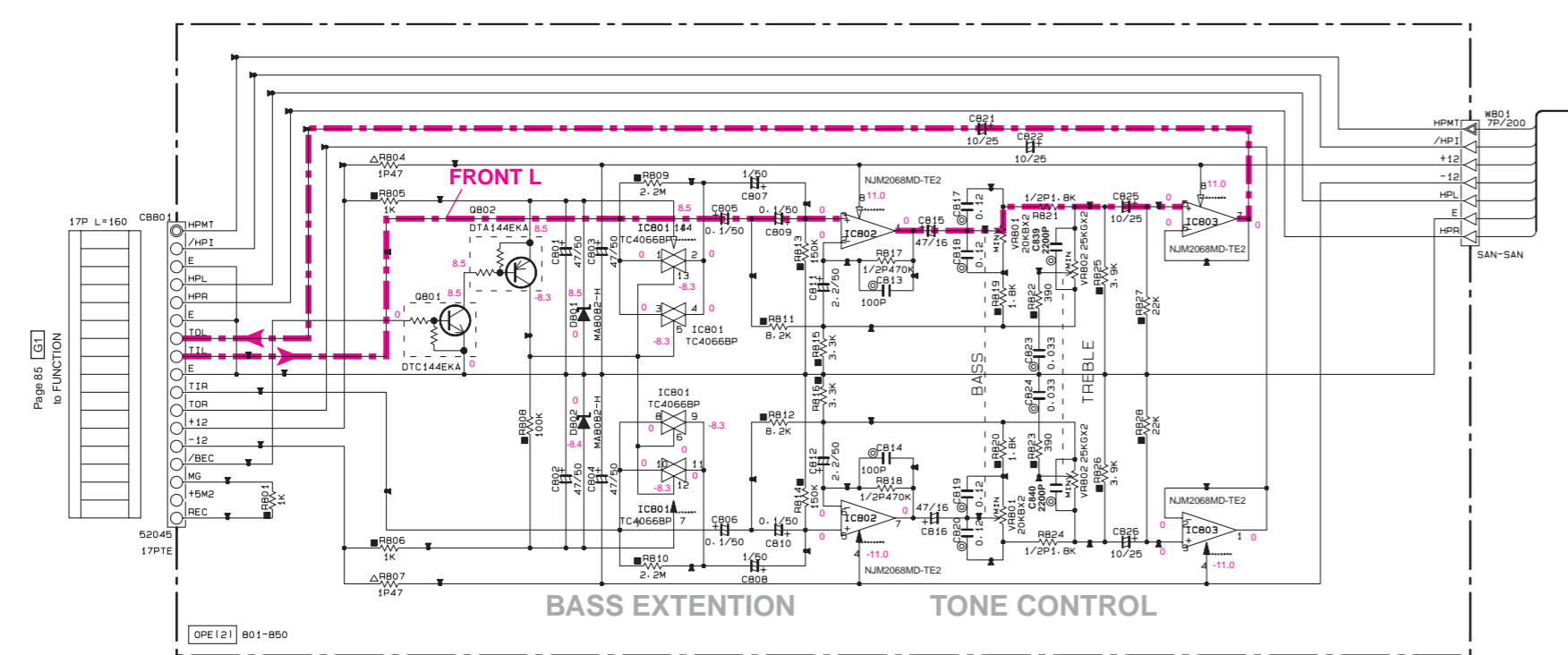
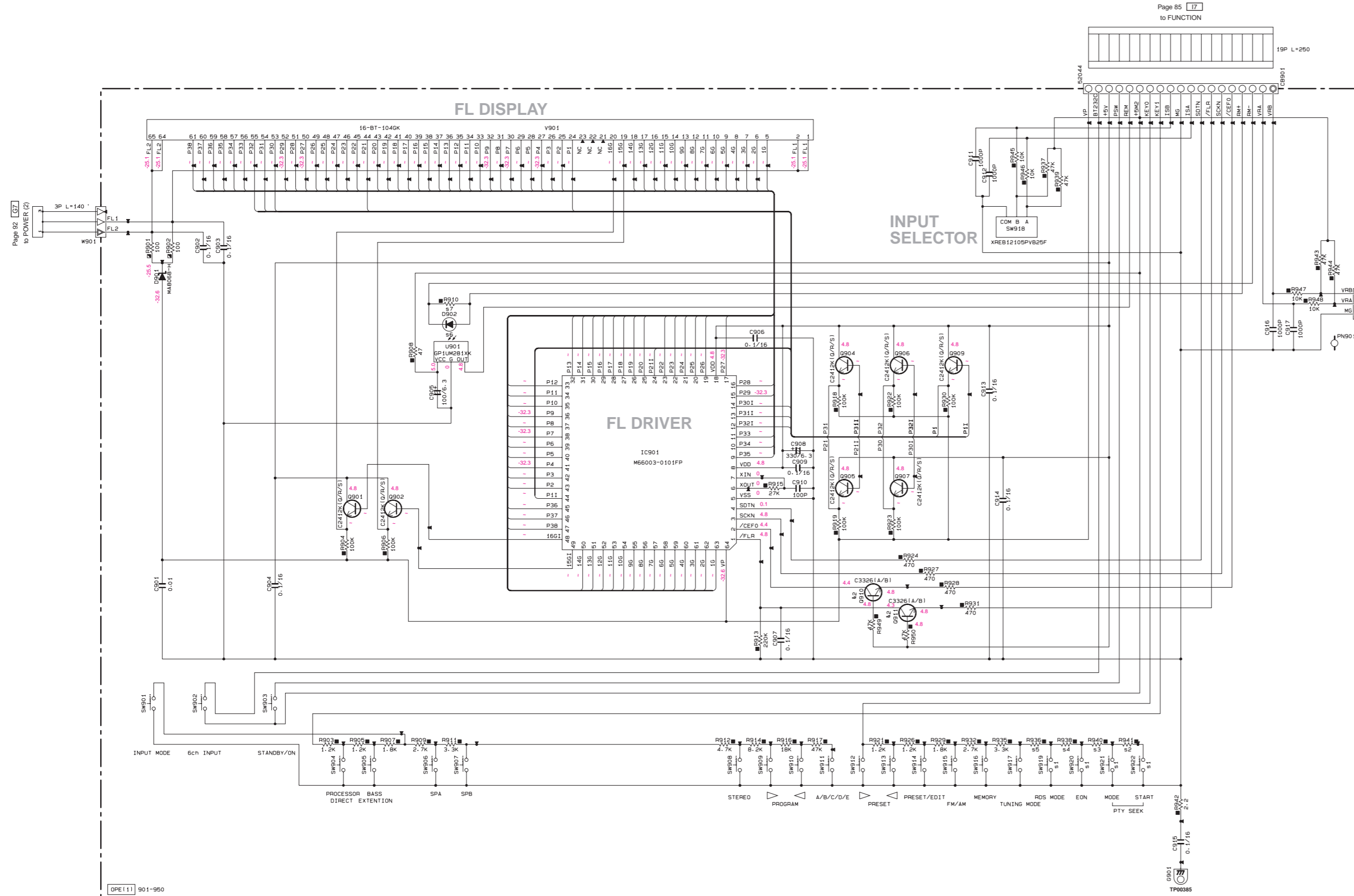


\* All voltages are measured with a 10MΩ/ DC electric volt meter.  
\* Components having special characteristics are marked with a triangle and must be replaced with parts having specifications equal to those originally installed.  
\* Schematic diagram is subject to change without notice.

● 電圧は、内部抵抗10MΩの電圧計で測定したものです。  
● 印のある部品は、安全性確保部品を示しています。部品の交換が必要な場合、パーツリストに記載されている部品を使用してください。  
● 本回路図は標準回路図です。改良のため予告なく変更することがございます。

SCHEMATIC DIAGRAM (OPERATION) RX-V1300/RX-V1300RDS/HTR-5590/DSP-AX1300

RX-V2300/DSP-AX2300/RX-V1300/RX-V1300RDS/HTR-5590/DSP-AX1300



REMARKS	PARTS NAME
NO MARK	CARBON FILM RESISTOR (P=5)
△	CARBON FILM RESISTOR (P=10)
▲	METAL OXIDE FILM RESISTOR
▴	METAL FILM RESISTOR
▾	METAL PLATE RESISTOR
▽	FIRE-PROOF CARBON FILM RESISTOR
□	CEMENT MOLDED RESISTOR
◇	SEMI-VARIABLE RESISTOR
■	CHIP RESISTOR

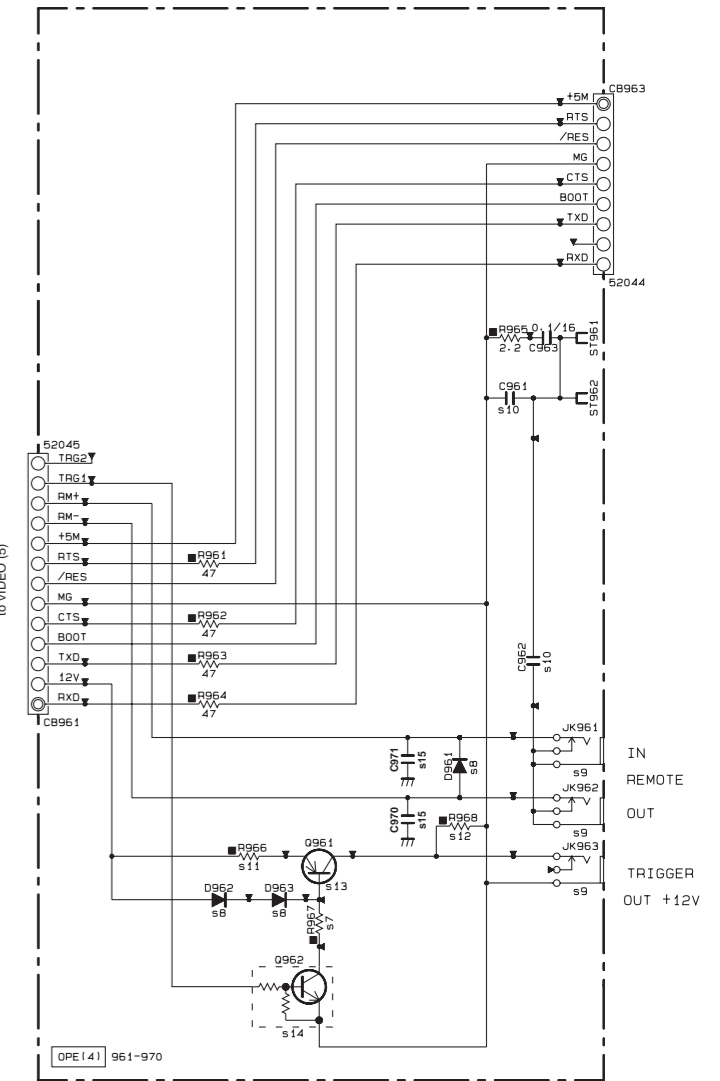
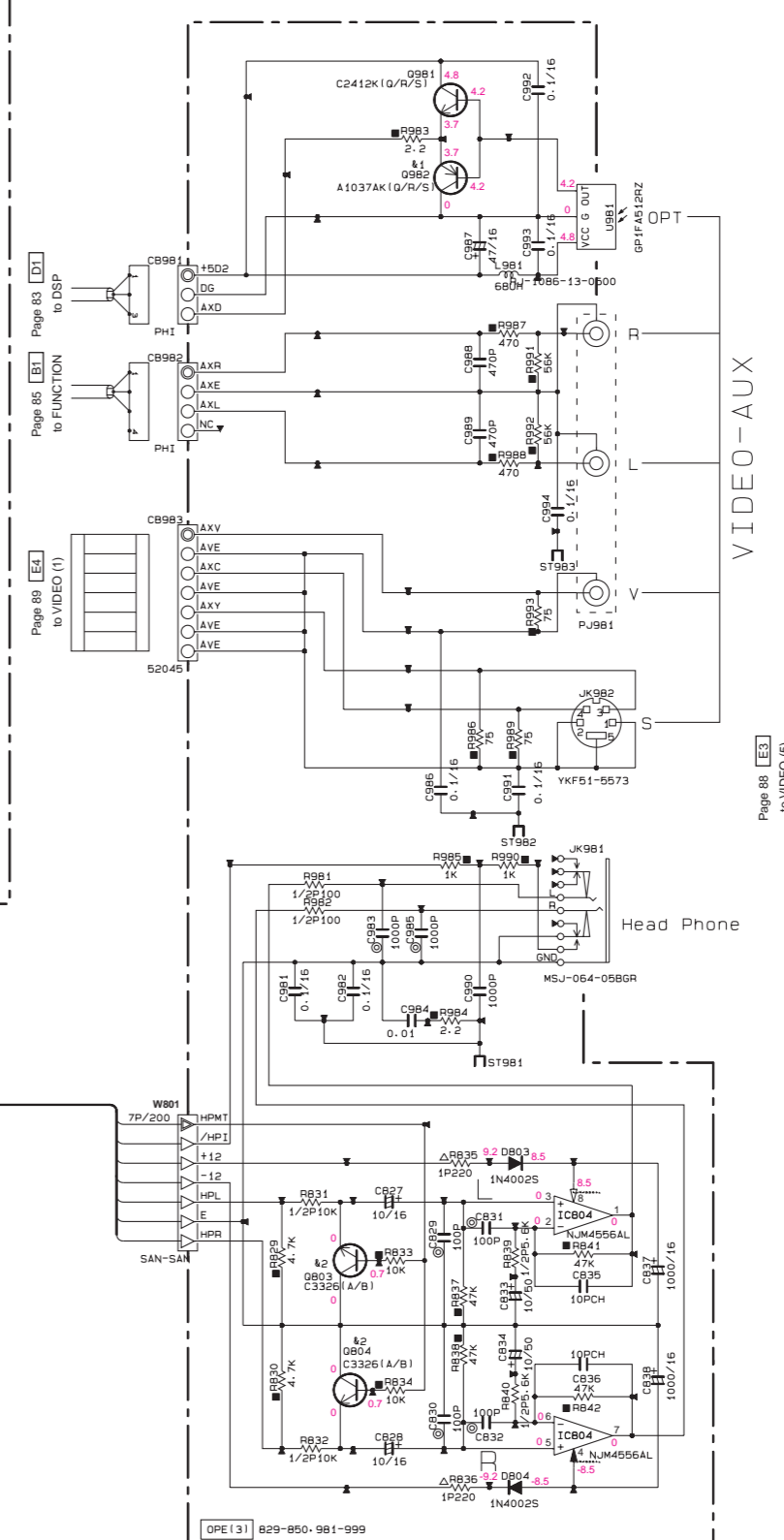
REMARKS	PARTS NAME
NO MARK	ELECTROLYTIC CAPACITOR
⊗	TANTALUM CAPACITOR
○	CERAMIC CAPACITOR
⊙	CERAMIC TUBULAR CAPACITOR
⊚	POLYESTER FILM CAPACITOR
⊛	POLYPROPYLENE FILM CAPACITOR
⊜	MICA CAPACITOR
⊝	POLYPROPYLENE FILM CAPACITOR
⊞	SEMICONDUCTIVE CERAMIC CAPACITOR
⊟	POLYPHENYLENE SULFIDE FILM CAPACITOR

Mark	Reference Parts Number	Parts Name
k1	0982	25A1037AK1G/R/S1
k2	0803.804.910.911	25A1239A1E/F1
k3		25C33261A/R1
k4		25C33261B1
k5		

Mark	Circuit No.	J-R-T-K	U-C-A	B-G
1	SW19-922	X	X	V475710
2	R941	X	X	47K RD36747
3	R940	X	X	18K RD35719
4	R938	X	X	5.2K RD35682
5	R936	X	X	4.7K RD35647
6	D902	X	S1R-5085T V259820	X
7	R910-R967	X	10K RD35710	X
8	D961-963	X	153395 Y133900	X
9	JK961-963	X	MSJ-036-1242C V943570	X
10	C961-C962	X	100P US06410	X
11	R966	X	27 RD35427	X
12	R968	X	100K RD35810	X
13	D961	X	A170815/T71 V97260	X
14	D962	X	OTC14EKA VV69570	X
15	C970, 971	X	100P US06310	X

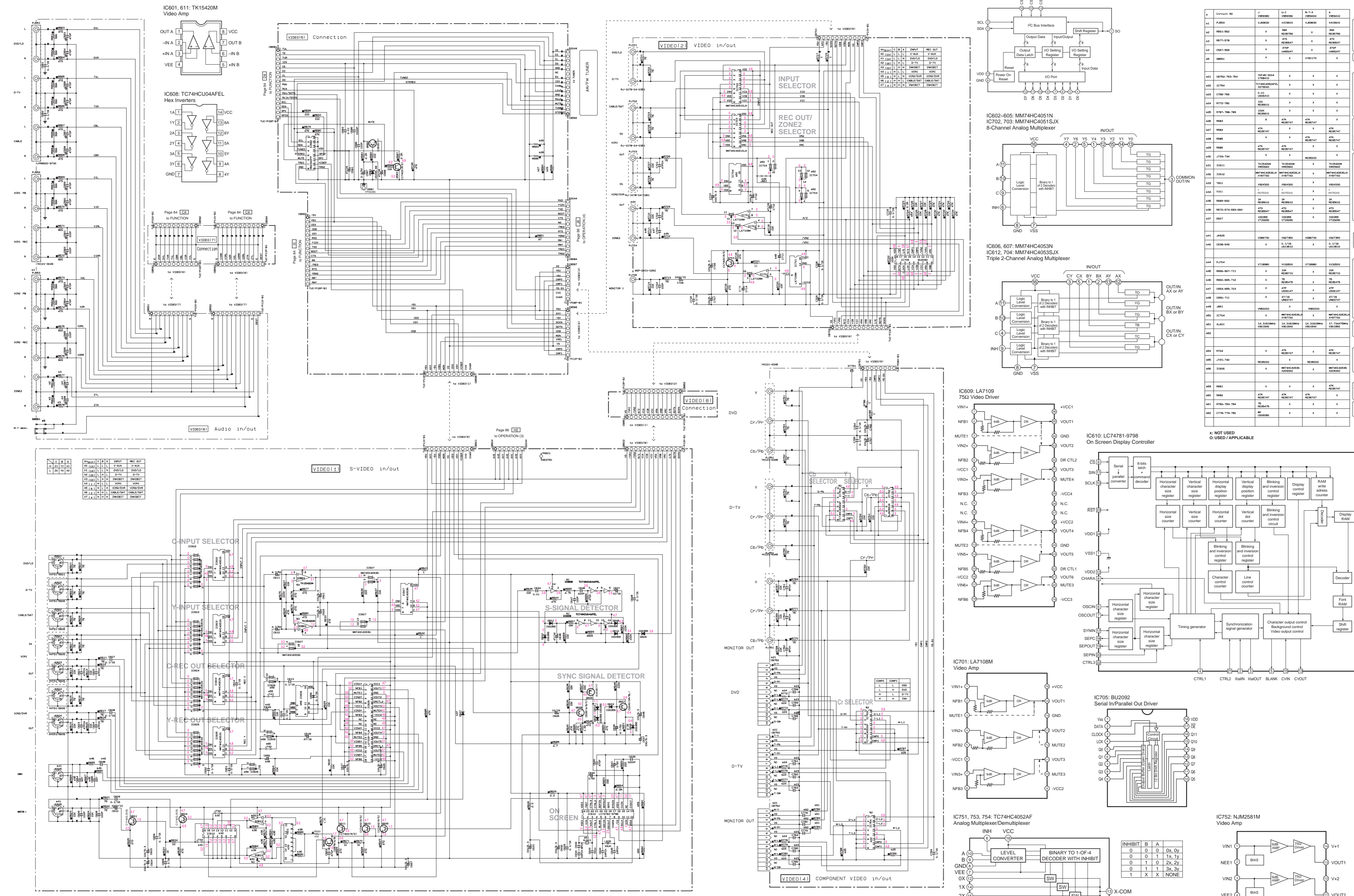
NOTICE (model)  
 (J)..... JAPAN  
 (U)..... U.S.A  
 (C)..... CANADA  
 (R)..... GENERAL  
 (T)..... CHINA  
 (K)..... KOREA  
 (A)..... AUSTRALIA  
 (B)..... BRITISH  
 (G)..... EUROPE  
 (L)..... SINGAPORE



\* All voltages are measured with a 10MΩ/V DC electric volt meter.  
 \* Components having special characteristics are marked △ and must be replaced with parts having specifications equal to those originally installed.  
 \* Schematic diagram is subject to change without notice.

● 電圧は、内部抵抗10MΩの電圧計で測定したものです。  
 ● △印のある部品は、安全性確保部品を示しています。部品の交換が必要な場合、パーツリストに記載されている部品を使用してください。  
 ● 本回路図は標準回路図です。改良のため予告なく変更することがございます。

SCHEMATIC DIAGRAM (VIDEO) RX-V2300/DSP-AX-2300



IC Part No.	J	U.C.	B.T.K.	A
11	PL083	V40820	V40820	V40820
12	RS05-762	X	DSK	RS05762
13	RS07-678	X	470	RS07678
14	CR01-506	X	470	CR01506
15	RS01-788	X	X	RS01788
16	RS01-788	X	X	RS01788
17	RS01-788	X	X	RS01788
18	RS01-788	X	X	RS01788
19	RS01-788	X	X	RS01788
20	RS01-788	X	X	RS01788
21	RS01-788	X	X	RS01788
22	RS01-788	X	X	RS01788
23	RS01-788	X	X	RS01788
24	RS01-788	X	X	RS01788
25	RS01-788	X	X	RS01788
26	RS01-788	X	X	RS01788
27	RS01-788	X	X	RS01788
28	RS01-788	X	X	RS01788
29	RS01-788	X	X	RS01788
30	RS01-788	X	X	RS01788
31	RS01-788	X	X	RS01788
32	RS01-788	X	X	RS01788
33	RS01-788	X	X	RS01788
34	RS01-788	X	X	RS01788
35	RS01-788	X	X	RS01788
36	RS01-788	X	X	RS01788
37	RS01-788	X	X	RS01788
38	RS01-788	X	X	RS01788
39	RS01-788	X	X	RS01788
40	RS01-788	X	X	RS01788
41	RS01-788	X	X	RS01788
42	RS01-788	X	X	RS01788
43	RS01-788	X	X	RS01788
44	RS01-788	X	X	RS01788
45	RS01-788	X	X	RS01788
46	RS01-788	X	X	RS01788
47	RS01-788	X	X	RS01788
48	RS01-788	X	X	RS01788
49	RS01-788	X	X	RS01788
50	RS01-788	X	X	RS01788
51	RS01-788	X	X	RS01788
52	RS01-788	X	X	RS01788
53	RS01-788	X	X	RS01788
54	RS01-788	X	X	RS01788
55	RS01-788	X	X	RS01788
56	RS01-788	X	X	RS01788
57	RS01-788	X	X	RS01788
58	RS01-788	X	X	RS01788
59	RS01-788	X	X	RS01788
60	RS01-788	X	X	RS01788
61	RS01-788	X	X	RS01788
62	RS01-788	X	X	RS01788
63	RS01-788	X	X	RS01788
64	RS01-788	X	X	RS01788
65	RS01-788	X	X	RS01788
66	RS01-788	X	X	RS01788
67	RS01-788	X	X	RS01788
68	RS01-788	X	X	RS01788
69	RS01-788	X	X	RS01788
70	RS01-788	X	X	RS01788
71	RS01-788	X	X	RS01788
72	RS01-788	X	X	RS01788
73	RS01-788	X	X	RS01788
74	RS01-788	X	X	RS01788
75	RS01-788	X	X	RS01788
76	RS01-788	X	X	RS01788
77	RS01-788	X	X	RS01788
78	RS01-788	X	X	RS01788
79	RS01-788	X	X	RS01788
80	RS01-788	X	X	RS01788
81	RS01-788	X	X	RS01788
82	RS01-788	X	X	RS01788
83	RS01-788	X	X	RS01788
84	RS01-788	X	X	RS01788
85	RS01-788	X	X	RS01788
86	RS01-788	X	X	RS01788
87	RS01-788	X	X	RS01788
88	RS01-788	X	X	RS01788
89	RS01-788	X	X	RS01788
90	RS01-788	X	X	RS01788
91	RS01-788	X	X	RS01788
92	RS01-788	X	X	RS01788
93	RS01-788	X	X	RS01788
94	RS01-788	X	X	RS01788
95	RS01-788	X	X	RS01788
96	RS01-788	X	X	RS01788
97	RS01-788	X	X	RS01788
98	RS01-788	X	X	RS01788
99	RS01-788	X	X	RS01788
100	RS01-788	X	X	RS01788

\* All voltages are measured with a 10MΩ/V DC electric volt meter.  
 \* Components having special characteristics are marked  $\Delta$  and must be replaced with parts having specifications equal to those originally installed.  
 \* Schematic diagram is subject to change without notice.

● 電圧は、内部抵抗10MΩの電圧計で測定したものです。  
 ●  $\Delta$ 印のある部品は、安全性確保部品を示しています。部品の交換が必要な場合、パーツリストに記載されている部品を使用してください。  
 ● 本回路図は標準回路図です。改良のため予告なく変更することがございます。

**RESISTOR**

REMARKS	PARTS NAME
NO NAME CARBON FILM RESISTOR (±5%)	RES
CARBON FILM RESISTOR (±10%)	RES
METAL OXIDE FILM RESISTOR	RES
METAL FILM RESISTOR	RES
POLYMER FILM CAPACITOR	RES
FILM PROOF CARBON FILM RESISTOR	RES
GENERAL PURPOSE RESISTOR	RES
CHIP RESISTOR	RES

**CAPACITOR**

REMARKS	PARTS NAME
NO NAME ELECTROLYTIC CAPACITOR	CAP
TANTALUM CAPACITOR	CAP
NO NAME CERAMIC CAPACITOR	CAP
CERAMIC TUNABLE CAPACITOR	CAP
POLYESTER FILM CAPACITOR	CAP
POLYPROPYLENE FILM CAPACITOR	CAP
MICA CAPACITOR	CAP
POLYBUTYLENE FILM CAPACITOR	CAP
SEMICONDUCTIVE CERAMIC CAPACITOR	CAP

**Interchangeable Parts at Manufacture Stage**

Part No.	Part Name	Part No.
11	PL083	PL083
22	RS05-762	RS05762
33	RS07-678	RS07678
44	CR01-506	CR01506
55	RS01-788	RS01788

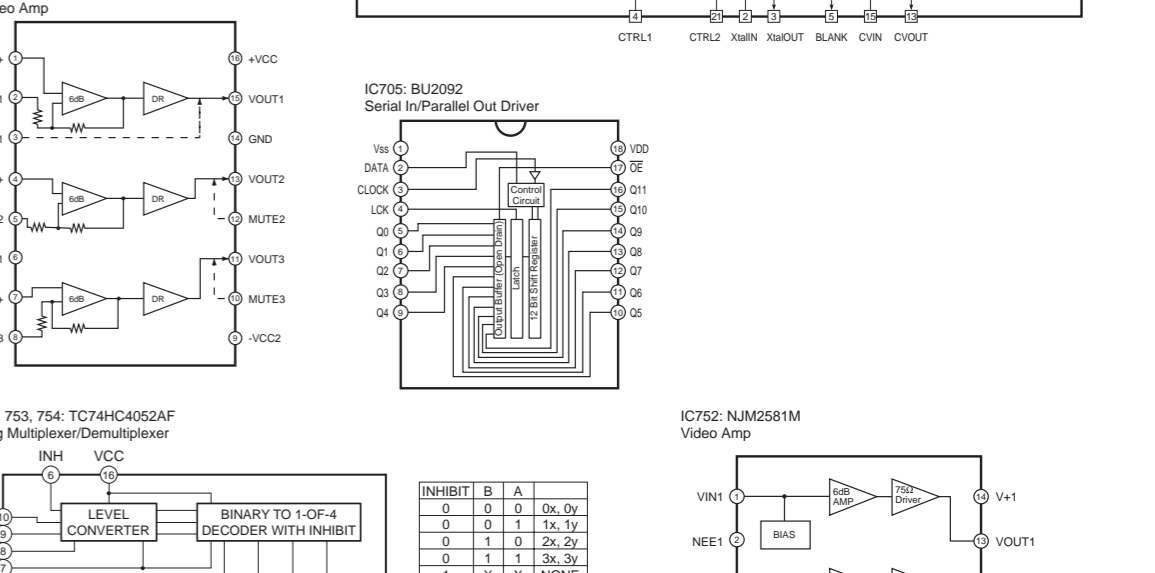
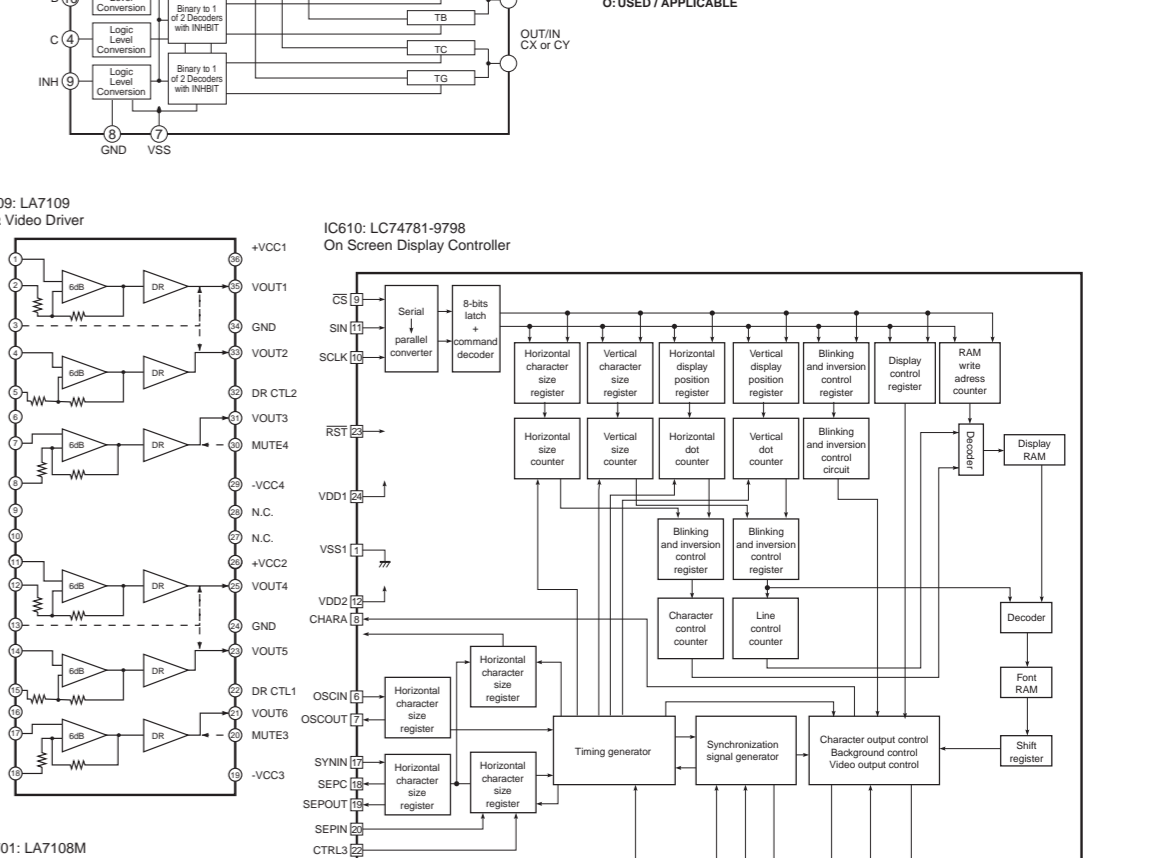
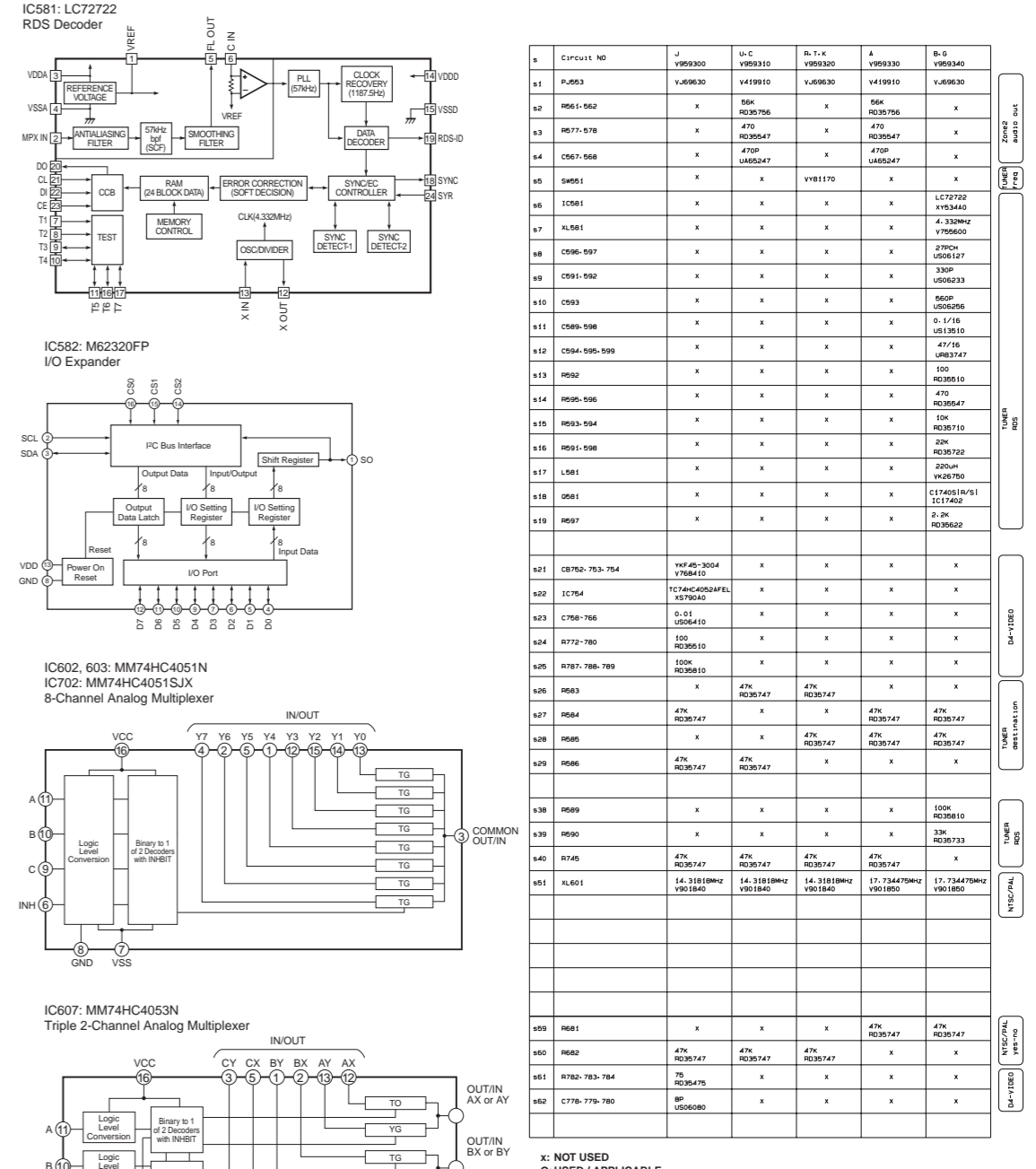
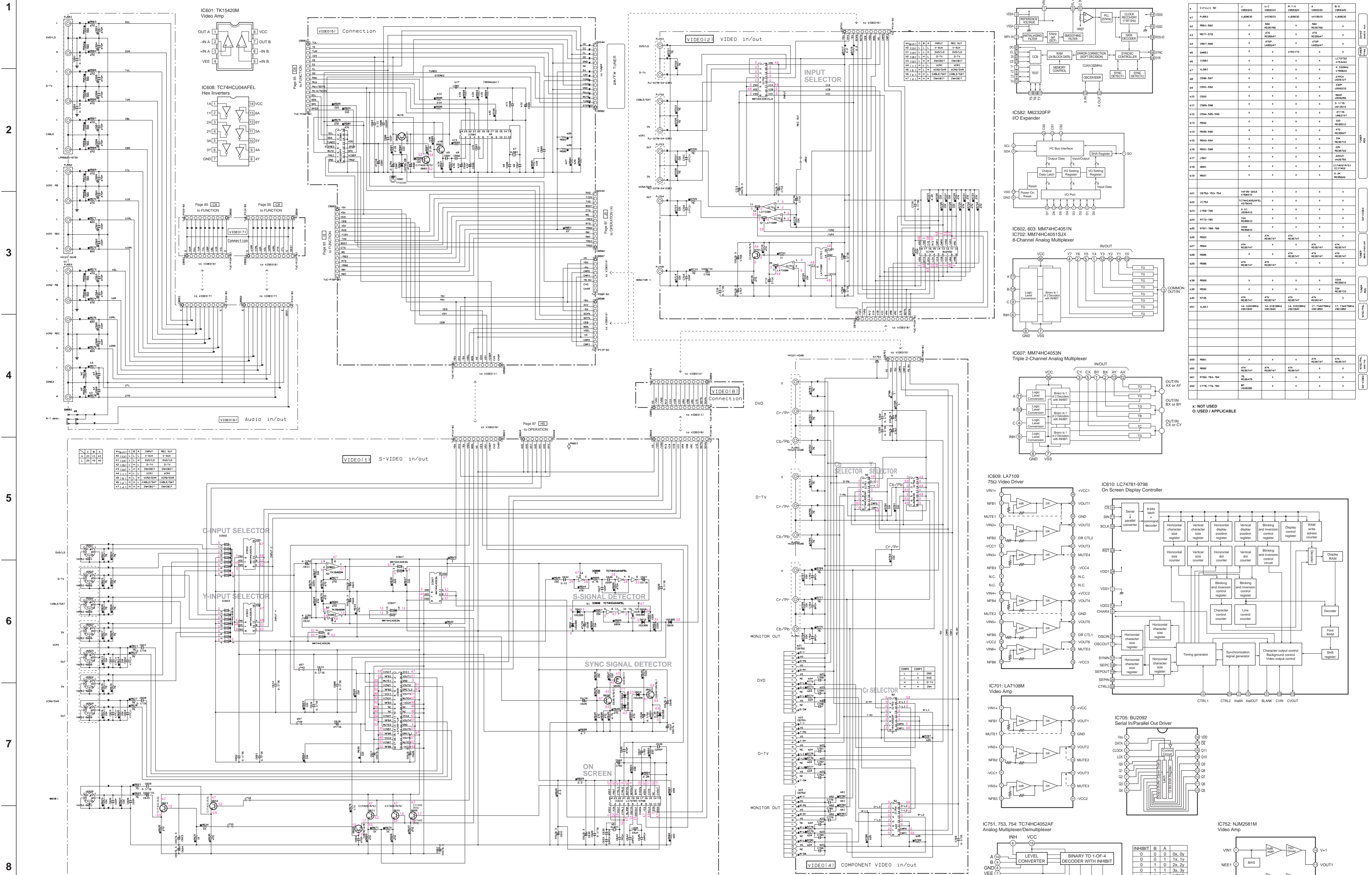
**NOTICE (note1)**

- (J).....JAPAN
- (U.S.A).....U.S.A
- (C).....CANADA
- (S).....GENERAL
- (T).....CHINA
- (K).....KOREA
- (A).....AUSTRALIA
- (B).....BRITISH
- (E).....EUROPE
- (L).....SINGAPORE



■ SCHEMATIC DIAGRAM (VIDEO) RX-V1300/RX-V1300RDS/HTR-5590/DSP-AX1300

RX-V2300/DSP-AX2300/RX-V1300/RX-V1300RDS/HTR-5590/DSP-AX1300



IC	Part No.	QTY	DESCRIPTION	REMARKS
41	IC601	1	TK15420M Video Amp	
42	IC602	1	MM74HC4051N 8-Channel Analog Multiplexer	
43	IC603	1	MM74HC4051N 8-Channel Analog Multiplexer	
44	IC604	1	MM74HC4053N Triple 2-Channel Analog Multiplexer	
45	IC605	1	LA7108M Video Amp	
46	IC606	1	BU2092 Serial In/Parallel Out Driver	
47	IC607	1	MM74HC4053N Triple 2-Channel Analog Multiplexer	
48	IC608	1	TC74HC04AFEL Hex Inverters	
49	IC609	1	LA7109 75Ω Video Driver	
50	IC610	1	LC74781-9798 On Screen Display Controller	
51	IC701	1	LA7108M Video Amp	
52	IC705	1	BU2092 Serial In/Parallel Out Driver	
53	IC751	1	753, 754: TC74HC4052AF Analog Multiplexer/Demultiplexer	
54	IC752	1	NJM2581M Video Amp	

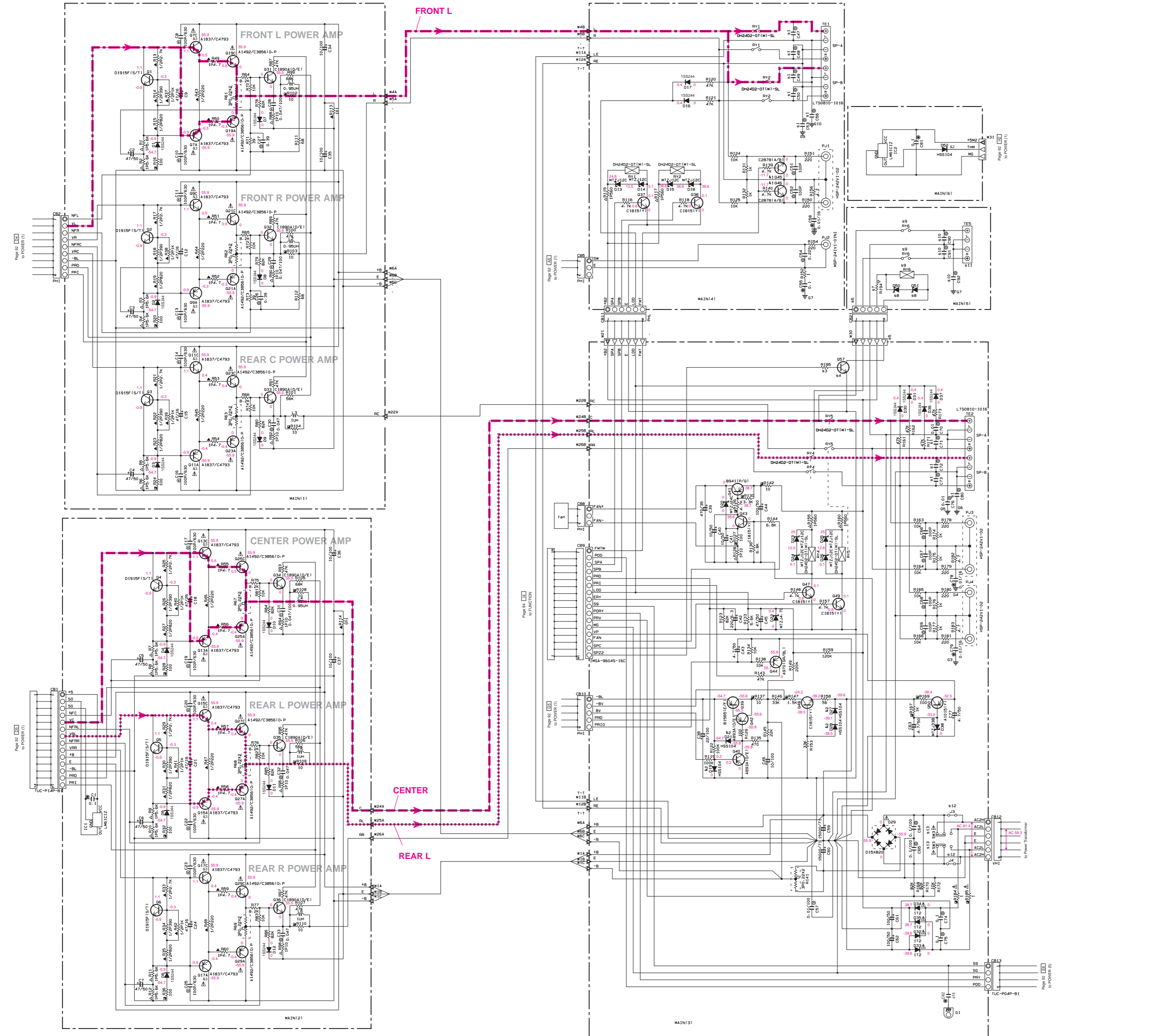
\* All voltages are measured with a 10MΩ/V DC electric voltmeter.  
 \* Components having special characteristics are marked with a triangle and must be replaced with parts having specifications equal to those originally installed.  
 \* Schematic diagram is subject to change without notice.

● 電圧は、内部抵抗10MΩの電圧計で測定したものです。  
 ● 三角形のある部品は、安全性確保部品を示しています。部品の交換が必要な場合、パーツリストに記載されている部品を使用してください。  
 ● 本回路図は標準回路図です。改良のため予告なく変更することがございます。

RESISTOR	REMARKS	PARTS NAME	REMARKS	PARTS NAME
10K	RES	CARBON FILM RESISTOR (P=10)	10K	RES
100K	RES	CARBON FILM RESISTOR (P=100)	100K	RES
1M	RES	METAL OXIDE FILM RESISTOR	1M	RES
10M	RES	METAL FILM RESISTOR	10M	RES
100M	RES	FILM PROOF CARBON FILM RESISTOR	100M	RES
100Ω	RES	CEMENT MOLDED RESISTOR	100Ω	RES
100Ω	RES	TEMPERATURE VARIABLE RESISTOR	100Ω	RES
100Ω	RES	CHIP BEH1812R	100Ω	RES

IC	REMARKS	PARTS NAME	REMARKS	PARTS NAME
41	IC601	TK15420M	VIDEO AMP	IC601
42	IC602	MM74HC4051N	8-CHANNEL ANALOG MULTIPLEXER	IC602
43	IC603	MM74HC4051N	8-CHANNEL ANALOG MULTIPLEXER	IC603
44	IC604	MM74HC4053N	TRIPLE 2-CHANNEL ANALOG MULTIPLEXER	IC604
45	IC605	LA7108M	VIDEO AMP	IC605
46	IC606	BU2092	SERIAL IN/PARALLEL OUT DRIVER	IC606
47	IC607	MM74HC4053N	TRIPLE 2-CHANNEL ANALOG MULTIPLEXER	IC607
48	IC608	TC74HC04AFEL	HEX INVERTERS	IC608
49	IC609	LA7109	75Ω VIDEO DRIVER	IC609
50	IC610	LC74781-9798	ON SCREEN DISPLAY CONTROLLER	IC610
51	IC701	LA7108M	VIDEO AMP	IC701
52	IC705	BU2092	SERIAL IN/PARALLEL OUT DRIVER	IC705
53	IC751	753, 754: TC74HC4052AF	ANALOG MULTIPLEXER/DEMUTIPLEXER	IC751
54	IC752	NJM2581M	VIDEO AMP	IC752

SCHEMATIC DIAGRAM (MAIN) RX-V2300/DSP-AX-2300



RESISTOR

REMARKS	PARTS NAME
NO MARK	CARBON FILM RESISTOR (P=5)
△	CARBON FILM RESISTOR (P=10)
□	METAL OXIDE FILM RESISTOR
▲	METAL FILM RESISTOR
⊠	METAL PLATE RESISTOR
■	FIRE PROOF CARBON FILM RESISTOR
□	CEMENT MOLDED RESISTOR
○	SEMI VARIABLE RESISTOR
■	CHIP RESISTOR

CAPACITOR

REMARKS	PARTS NAME
NO MARK	ELECTROLYTIC CAPACITOR
⊗	TANTALUM CAPACITOR
NO MARK	CERAMIC CAPACITOR
⊙	CERAMIC TUBULAR CAPACITOR
⊚	POLYESTER FILM CAPACITOR
○	POLYSTYRENE FILM CAPACITOR
⊖	MICA CAPACITOR
⊙	POLYPROPYLENE FILM CAPACITOR
●	SEMICONDUCTIVE CERAMIC CAPACITOR

NOTICE (model)

(J)..... JAPAN  
 (U)..... U. S. A.  
 (C)..... CANADA  
 (R)..... GENERAL  
 (T)..... CHINA  
 (K)..... KOREA  
 (A)..... AUSTRALIA  
 (B)..... BRITISH  
 (G)..... EUROPE  
 (L)..... SINGAPORE

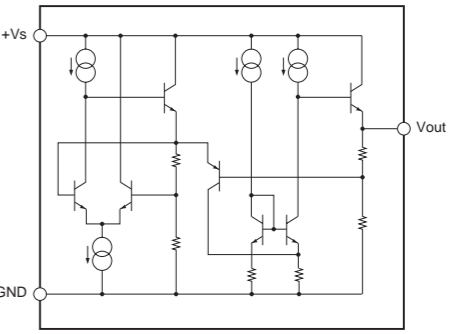
Part No.	DSP-AK2300		Rx-V2300	
	J	U-C	R.T.K	A
S1	C47, C48, C49, C50, C53, C56, C71, C72, C73, C80	x	x	0.01 U465410 0.01 U465410
S3	R195	x	4.7k WF2547	x 4.7k WF2547
S4	D07	x	C181511 IC18151	x C181511 IC18151
S5	W30	x	V892050	x V892050
S6	CB21	x	L891805 L8960	x L891805 L8960
S7	R194	x	V84930 V87125	x V84930 V87125
S8	D50, D51	x	V54430 V54430	x V54430 V54430
S9	R16	x	DH242-OT1M1-SL V53260	x DH242-OT1M1-SL V53260
S10	C90, C91, C92	x	x	x 0.01 U465410
S11	TE5	x	L150410-3012 L150600	x L150410-3012 V4648ML
S12	J3, J4	o	x	x
S13	SW3	x	SL138-022-AMCS V410400	SL138-022-AMCS V410400
S14	R102, 103	TD	H75347 H75347	4.7 H75347
S15	CS2	x	x	0.1 V259510

x: NOT USED  
 o: USED / APPLICABLE

Interchangeable Parts at Manufacture-Stage

Part No.	Reference Parts Number	Parts Name
S1	045, 46	25C28781A/01 25D1915F15/11
S2	D19, 21, 27, 28, 52	H55104 H55133 H55176
S3	07, 9, 11, 13, 15, 17	A1837C4793 A1855AC4834

IC1, 2: LM61C1Z  
 Temperature Sensor

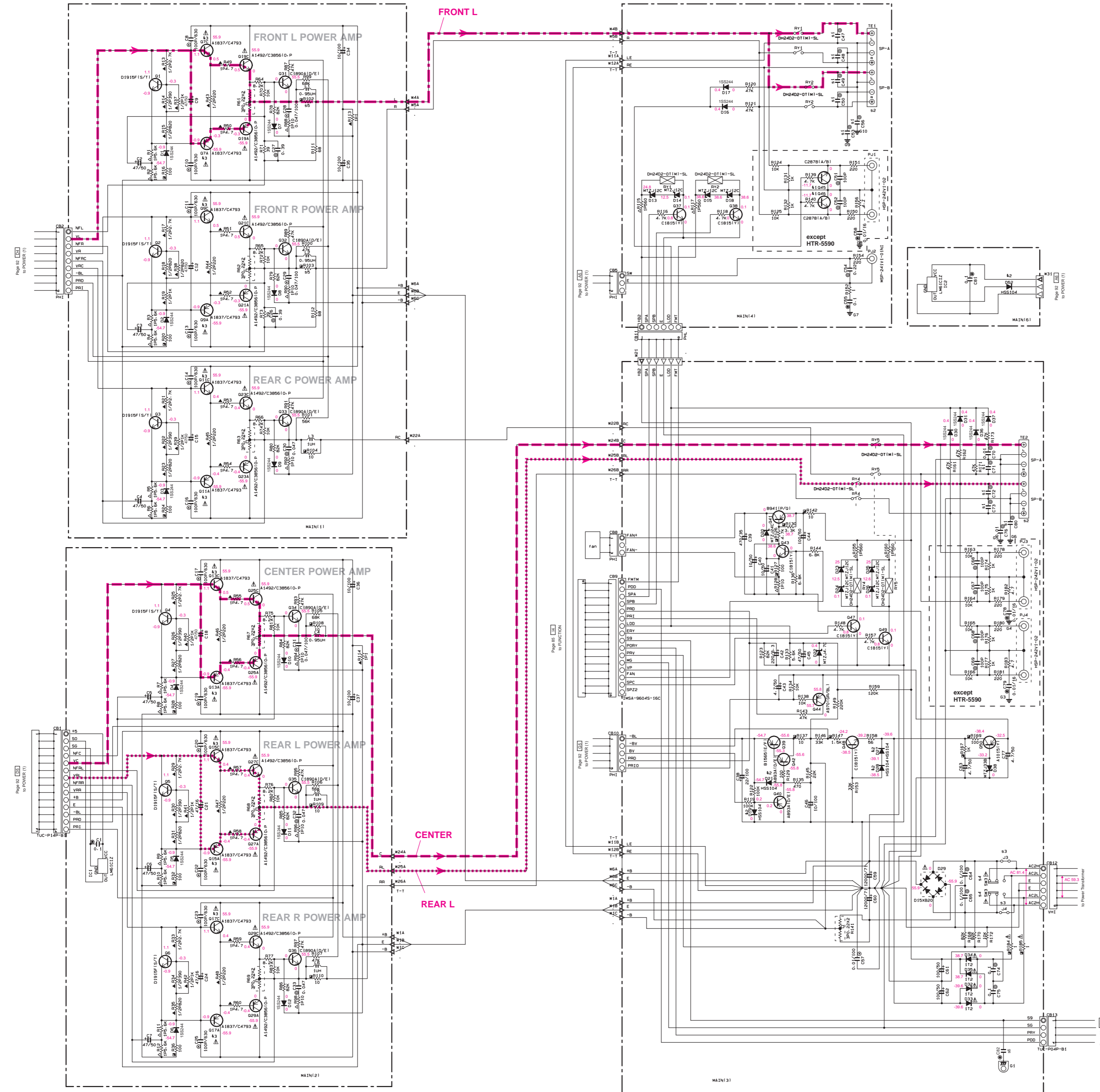


- ★ All voltages are measured with a 10MΩ/V DC electric volt meter.
- ★ Components having special characteristics are marked △ and must be replaced with parts having specifications equal to those originally installed.
- ★ Schematic diagram is subject to change without notice.

- 電圧は、内部抵抗10MΩの電圧計で測定したものです。
- △印のある部品は、安全性確保部品を示しています。部品の交換が必要な場合、パーツリストに記載されている部品を使用してください。
- 本回路図は標準回路図です。改良のため予告なく変更することがございます。

SCHEMATIC DIAGRAM (MAIN) RX-V1300/RX-V1300RDS/HTR-5590/DSP-AX1300

RX-V2300/DSP-AX2300/RX-V1300/RX-V1300RDS/HTR-5590/DSP-AX1300



RESISTOR

REMARKS	PARTS NAME
NO MARK	CARBON FILM RESISTOR (P=5)
□	CARBON FILM RESISTOR (P=10)
△	METAL OXIDE FILM RESISTOR
▲	METAL FILM RESISTOR
⊠	METAL PLATE RESISTOR
■	FIRE PROOF CARBON FILM RESISTOR
□	CEMENT MOLDED RESISTOR
⊕	SEMI VARIABLE RESISTOR
■	CHIP RESISTOR

CAPACITOR

REMARKS	PARTS NAME
NO MARK	ELECTROLYTIC CAPACITOR
⊗	TANTALUM CAPACITOR
NO MARK	CERAMIC CAPACITOR
⊙	CERAMIC TUBULAR CAPACITOR
○	POLYESTER FILM CAPACITOR
○	POLYSTYRENE FILM CAPACITOR
⊖	MICA CAPACITOR
⊖	POLYPROPYLENE FILM CAPACITOR
●	SEMICONDUCTIVE CERAMIC CAPACITOR

NOTICE (mode)

(J)..... JAPAN  
 (U)..... U.S.A  
 (C)..... CANADA  
 (R)..... GENERAL  
 (T)..... CHINA  
 (K)..... KOREA  
 (A)..... AUSTRALIA  
 (B)..... BRITISH  
 (G)..... EUROPE  
 (L)..... SINGAPORE

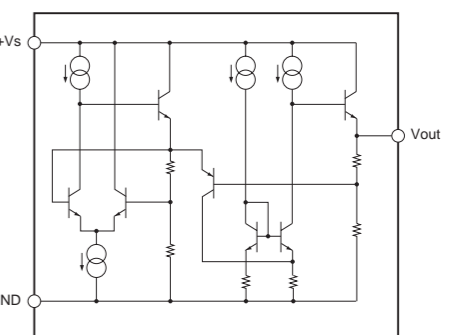
	DSP-AX1300	RX-V1300RDS	RX-V1300RDS	
41	C47, C48, C49, C50 C53, C56, C71 C72, C73, C80	X	X	Q: 01 U455410 U455410
42	TEL-TE2	L75010-1016 V949900	L75010-1016 V949900	L75010-1016 V949900
43	J3-J4	X	X	X
44	SW3	X	SL138-022-AMCS V210420	SL138-022-AMCS V410420
45	R102-103	10 HY75410	10 HY75410	4.7 HY75347
46	C82	X	X	V.259510 V.259510

X: NOT USED  
 O: USED / APPLICABLE

Interchangeable Parts at Manufacture-Stage

Mark	Reference Parts Number	Parts Name
41	045-46	2SC28781A/91 2SD1919F1S/71
42	019-21-27-28-52	H55104 1S5133 1S5176
43	07-9-11-13-15-17	A1837/C4793 A1899A/C4834

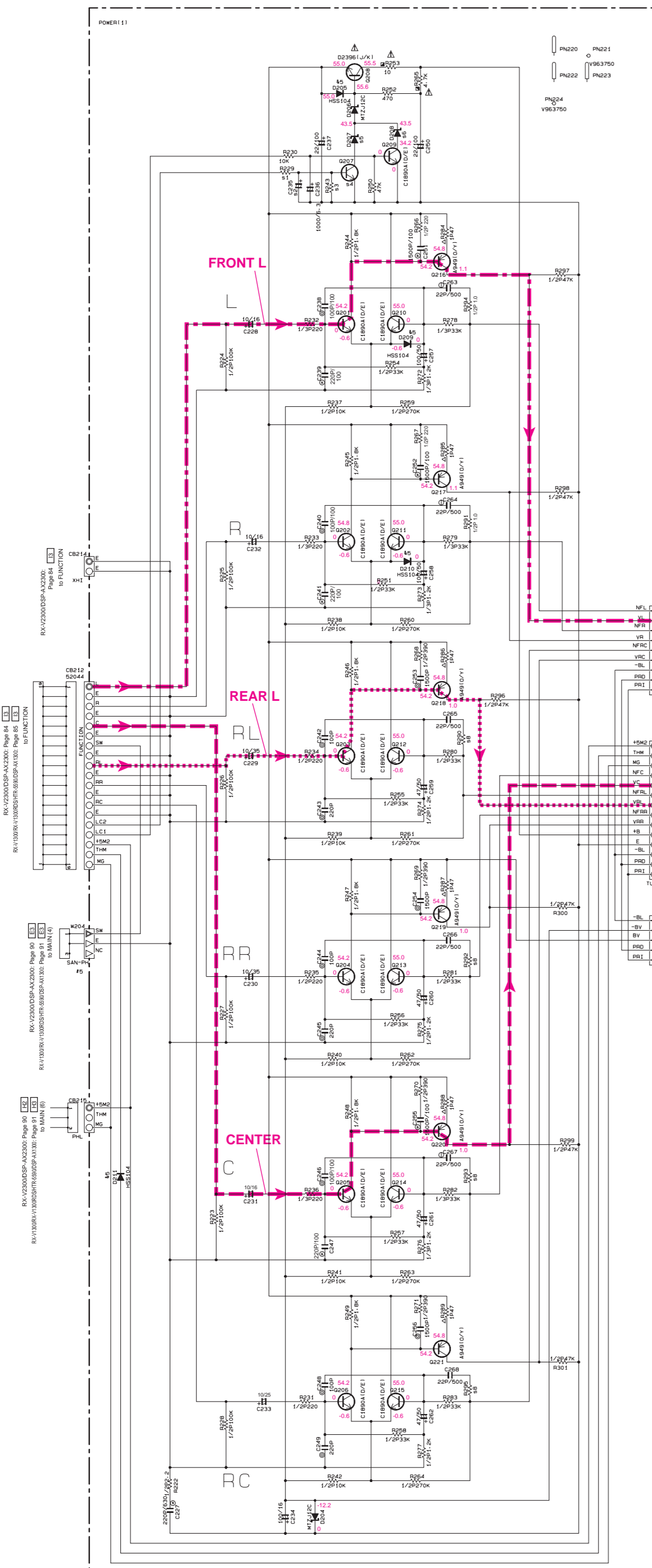
IC1, 2: LM61C12  
 Temperature Sensor



- ★ All voltages are measured with a 10MΩ/V DC electric volt meter.
- ★ Components having special characteristics are marked with a triangle (▲) and must be replaced with parts having specifications equal to those originally installed.
- ★ Schematic diagram is subject to change without notice.

- 電圧は、内部抵抗10MΩの電圧計で測定したものです。
- ▲印のある部品は、安全性確保部品を示しています。部品の交換が必要な場合、パーツリストに記載されている部品を使用してください。
- 本回路図は標準回路図です。改良のため予告なく変更することがございます。

SCHEMATIC DIAGRAM (POWER)



RESISTOR

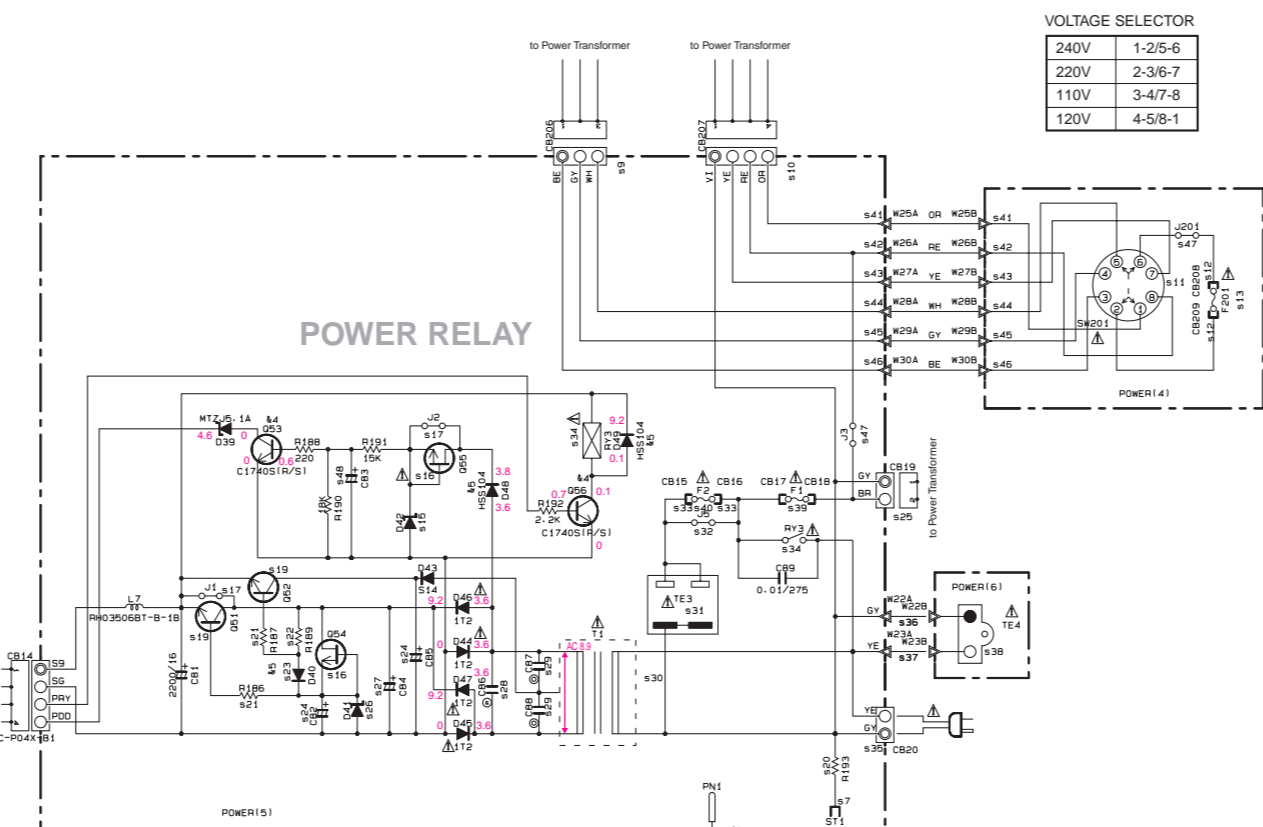
REMARKS	PARTS NAME
NO MARK	CARBON FILM RESISTOR (P=5)
□	CARBON FILM RESISTOR (P=10)
△	METAL OXIDE FILM RESISTOR
▲	METAL FILM RESISTOR
⊠	METAL PLATE RESISTOR
▭	FINE PROOF CARBON FILM RESISTOR
■	CEMENT MOUNTED RESISTOR
◊	SEMI VARIABLE RESISTOR
■	CHIP RESISTOR

CAPACITOR

REMARKS	PARTS NAME
⊖	ELECTROLYTIC CAPACITOR
⊕	TANTALUM CAPACITOR
NO MARK	CERAMIC CAPACITOR
⊙	CERAMIC TUBULAR CAPACITOR
⊗	POLYESTER FILM CAPACITOR
○	POLYSTYRENE FILM CAPACITOR
⊙	POLYPROPYLENE FILM CAPACITOR
⊙	SEMICONDUCTIVE CERAMIC CAPACITOR

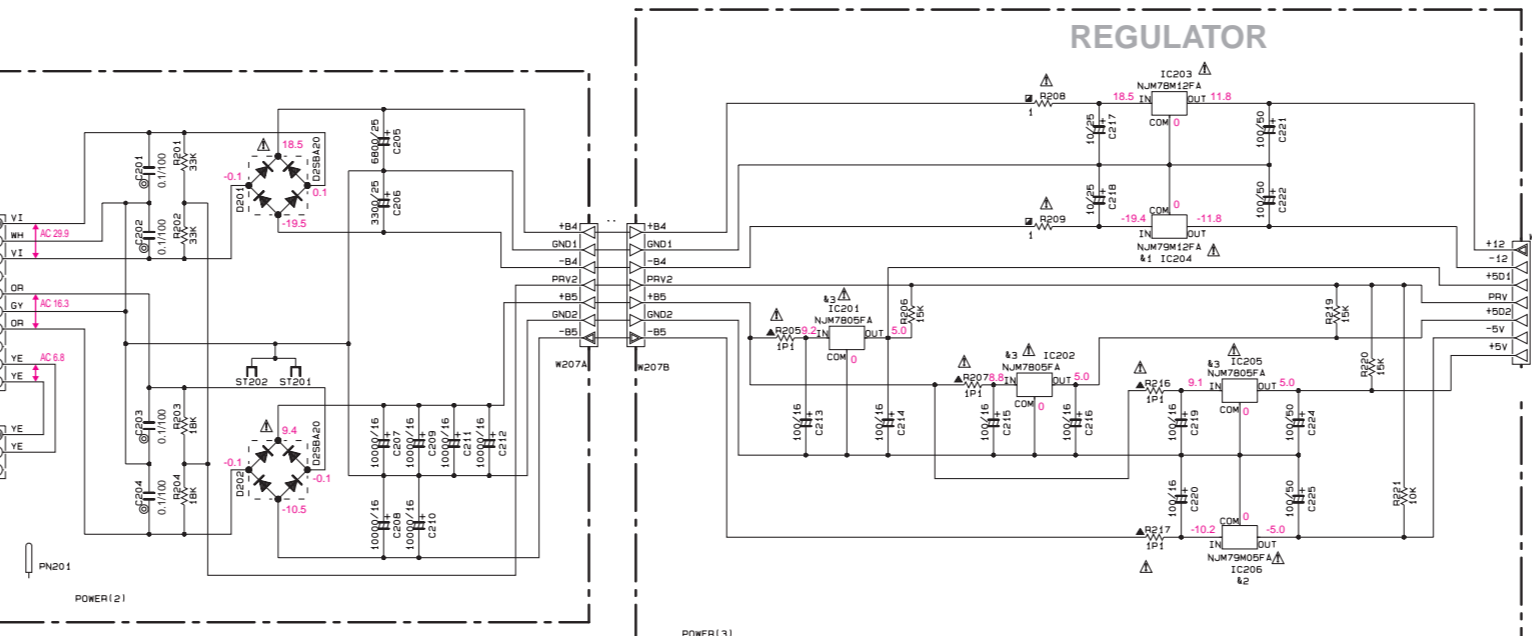
NOTICE (mode1)

(J)..... JAPAN  
 (U)..... U.S.A  
 (C)..... CANADA  
 (R)..... GENERAL  
 (T)..... CHINA  
 (K)..... KOREA  
 (A)..... AUSTRALIA  
 (B)..... BRITISH  
 (G)..... EUROPE  
 (L)..... SINGAPORE



VOLTAGE SELECTOR

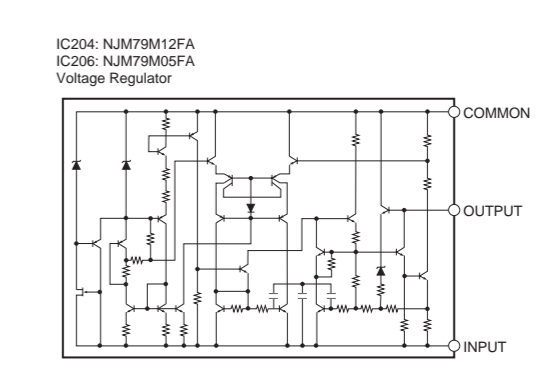
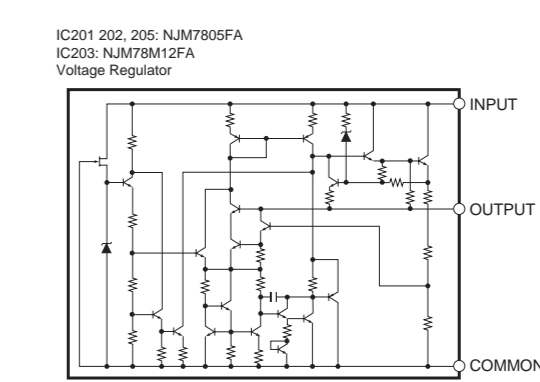
240V	1-2/5-6
220V	2-3/6-7
110V	3-4/7-8
120V	4-5/8-1



P/N	DSP-AX1300					RX-V1300					RX-V1300RDS					HTR-5590				
	JLC	JLC	JLC	JLC	JLC	JLC	JLC	JLC	JLC	JLC	JLC	JLC	JLC	JLC	JLC	JLC	JLC	JLC		
R209	x	HF5010	HF5010	HF5010	HF5010	HF5010	HF5010	HF5010	HF5010	HF5010	HF5010	HF5010	HF5010	HF5010	HF5010	HF5010	HF5010	HF5010		

Interchangeable Parts at Manufacture-Stage

Max. Reference Parts Number	Parts Name
IC204	NJM7812FA AN7812F
IC206	NJM7805FA AN7805F
IC201, 202, 205	NJM7805FA AN7805F
CR3-56	2SC17401A/G1 2SC3311A(G/R/S)
DA0, 4B, 49, 205, 209-211	HS5104 15S133 15S176





\* All voltages are measured with a 10MΩ/V DC electric volt meter.  
 \* Components having special characteristics are marked △ and must be replaced with parts having specifications equal to those originally installed.  
 \* Schematic diagram is subject to change without notice.

● 電圧は、内部抵抗10MΩの電圧計で測定したものです。  
 ● △印のある部品は、安全性確保部品を示しています。部品の交換が必要な場合、パーツリストに記載されている部品を使用してください。  
 ● 本回路図は標準回路図です。改良のため予告なく変更することがございます。

# PARTS LIST

## ■ ELECTRICAL PARTS

### ■ WARNING

- Components having special characteristics are marked  and must be replaced with parts having specifications equal to those originally installed.
- Carbon resistors (1/6W or 1/4W) are not included in the ELECTRICAL PARTS List. For the parts No. of the carbon resistors, refer to last page.
- 印のある部分は、安全確保部品を示しています。部品の交換が必要な場合、パーツリストに記載されている部品を使用してください。
- 本機に使用しているカーボン抵抗は1/6Wまたは1/4Wです。このパーツリストには、記載しておりませんので、部品番号がHF45○○○○タイプまたは同等品を使用してください。
- 部品価格ランクは、予告なく変更することがあります。

### ABBREVIATIONS IN THIS LIST ARE AS FOLLOWS:

C.A.EL.CHP	: CHIP ALUMI.ELECTROLYTIC CAP	L.EMIT	: LIGHT EMITTING MODULE
C.CE	: CERAMIC CAP	LED.DSPLY	: LED DISPLAY
C.CE.ARRAY	: CERAMIC CAP ARRAY	LED.INFRD	: LED,INFRARED
C.CE.CHP	: CHIP CERAMIC CAP	MODUL.RF	: MODULATOR,RF
C.CE.ML	: MULTILAYER CERAMIC CAP	PHOT.CPL	: PHOTO COUPLER
C.CE.M.CHP	: CHIP MULTILAYER CERAMIC CAP	PHOT.INTR	: PHOTO INTERRUPTER
C.CE.SAFY	: RECOGNIZED CERAMIC CAP	PHOT.RFLCT	: PHOTO REFLECTOR
C.CE.TUBLR	: CERAMIC TUBULAR CAP	PIN.TEST	: PIN,TEST POINT
C.CE.SMI	: SEMI CONDUCTIVE CERAMIC CAP	PLST.RIVET	: PLASTIC RIVET
C.EL	: ELECTROLYTIC CAP	R.ARRAY	: RESISTOR ARRAY
C.MICA	: MICA CAP	R.CAR.	: CARBON RESISTOR
C.ML.FLM	: MULTILAYER FILM CAP	R.CAR.CHP	: CHIP RESISTOR
C.MP	: METALLIZED PAPER CAP	R.CAR.FP	: FLAME PROOF CARBON RESISTOR
C.MYLAR	: MYLAR FILM CAP	R.FUS	: FUSABLE RESISTOR
C.MYLAR.ML	: MULTILAYER MYLAR FILM CAP	R.MTL.CHP	: CHIP METAL FILM RESISTOR
C.PAPER	: PAPER CAPACITOR	R.MTL.FLM	: METAL FILM RESISTOR
C.PLS	: POLYSTYRENE FILM CAP	R.MTL.OXD	: METAL OXIDE FILM RESISTOR
C.POL	: POLYESTER FILM CAP	R.MTL.PLAT	: METAL PLATE RESISTOR
C.POLY	: POLYETHYLENE FILM CAP	RSNR.CE	: CERAMIC RESONATOR
C.PP	: POLYPROPYLENE FILM CAP	RSNR.CRYS	: CRYSTAL RESONATOR
C.TNTL	: TANTALUM CAP	R.TW.CEM	: TWIN CEMENT FIXED RESISTOR
C.TNTL.CHP	: CHIP TANTALUM CAP	R.WW	: WIRE WOUND RESISTOR
C.TRIM	: TRIMMER CAP	SCR.BND.HD	: BIND HEAD B-TITE SCREW
CN	: CONNECTOR	SCR.BW.HD	: BW HEAD TAPPING SCREW
CN.BS.PIN	: CONNECTOR,BASE PIN	SCR.CUP	: CUP TITE SCREW
CN.CANNON	: CONNECTOR,CANNON	SCR.TERM	: SCREW TERMINAL
CN.DIN	: CONNECTOR,DIN	SCR.TR	: SCREW,TRANSISTOR
CN.FLAT	: CONNECTOR,FLAT CABLE	SUPRT.PCB	: SUPPORT,P.C.B.
CN.POST	: CONNECTOR,BASE POST	SURG.PRTCT	: SURGE PROTECTOR
COIL.MX.AM	: COIL,AM MIX	SW.TACT	: TACT SWITCH
COIL.AT.FM	: COIL,FM ANTENNA	SW.LEAF	: LEAF SWITCH
COIL.DT.FM	: COIL,FM DETECT	SW.LEVER	: LEVER SWITCH
COIL.MX.FM	: COIL,FM MIX	SW.MICRO	: MICRO SWITCH
COIL.OUTPT	: OUTPUT COIL	SW.PUSH	: PUSH SWITCH
DIOD.ARRAY	: DIODE ARRAY	SW.RT.ENC	: ROTARY ENCODER
DIODE.BRG	: DIODE BRIDGE	SW.RT.MTR	: ROTARY SWITCH WITH MOTOR
DIODE.CHP	: CHIP DIODE	SW.RT	: ROTARY SWITCH
DIODE.VAR	: VARACTOR DIODE	SW.SLIDE	: SLIDE SWITCH
DIOD.Z.CHP	: CHIP ZENER DIODE	TERM.SP	: SPEAKER TERMINAL
DIODE.ZENR	: ZENER DIODE	TERM.WRAP	: WRAPPING TERMINAL
DSCR.CE	: CERAMIC DISCRIMINATOR	THRMST.CHP	: CHIP THERMISTOR
FER.BEAD	: FERRITE BEADS	TR.CHP	: CHIP TRANSISTOR
FER.CORE	: FERRITE CORE	TR.DGT	: DIGITAL TRANSISTOR
FET.CHP	: CHIP FET	TR.DGT.CHP	: CHIP DIGITAL TRANSISTOR
FL.DSPLY	: FLUORESCENT DISPLAY	TRANS	: TRANSFORMER
FLTR.CE	: CERAMIC FILTER	TRANS.PULS	: PULSE TRANSFORMER
FLTR.COMB	: COMB FILTER MODULE	TRANS.PWR	: POWER TRANSFORMER ASS'Y
FLTR.LC.RF	: LC FILTER,EMI	TUNER.AM	: TUNER PACK,AM
GND.MTL	: GROUND PLATE	TUNER.FM	: TUNER PACK,FM
GND.TERM	: GROUND TERMINAL	TUNER.PK	: FRONT-ENDTUNER PACK
HOLDER.FUS	: FUSE HOLDER	VR	: ROTARY POTENTIOMETER
IC.PRTCT	: IC PROTECTOR	VR.MTR	: POTENTIOMETER WITH MOTOR
JUMPER.CN	: JUMPER CONNECTOR	VR.SW	: POTENTIOMETER WITH ROTARY SW
JUMPER.TST	: JUMPER,TEST POINT	VR.SLIDE	: SLIDE POTENTIOMETER
L.DTCT	: LIGHT DETECTING MODULE	VR.TRIM	: TRIMMER POTENTIOMETER

Note) Those parts marked with “#” are not included in the P.C.B. ass'y.

RX-V2300/DSP-AX2300  
RX-V1300/RX-V1300RDS/HTR-5590/DSP-AX1300

P.C.B. DSP

Schm Ref.	PART NO.	Description	Remarks	Markets	部 品 名	Rank	
	V9592000	P. C. B.	DSP	1300, 2300	J	P C B D S P	
	V9592100	P. C. B.	DSP	1300, 5590, 2300	UCRTKABG	P C B D S P	
CB502	VM929900	CN. BS. PIN	15P	1300, 5590, 2300		F P C コネクタ	01
CB503	VQ044700	CN. BS. PIN	16P	1300, 5590, 2300		F F C コネクタ	01
CB504	VQ047000	CN. BS. PIN	6P	1300, 5590, 2300		F F C コネクタ	01
C501	US135100	C. CE. CHP	0. 1uF 16V	1300, 5590, 2300		チップセラコン	01
C502	US135100	C. CE. CHP	0. 1uF 16V	1300, 5590, 2300		チップセラコン	01
C503	US135100	C. CE. CHP	0. 1uF 16V	1300, 5590, 2300		チップセラコン	01
C504	US135100	C. CE. CHP	0. 1uF 16V	1300, 5590, 2300		チップセラコン	01
C505	US135100	C. CE. CHP	0. 1uF 16V	1300, 5590, 2300		チップセラコン	01
C506	US135100	C. CE. CHP	0. 1uF 16V	1300, 5590, 2300		チップセラコン	01
C507	US061220	C. CE. M. CHP	22pF 50V	1300, 5590, 2300		チップセラコン	01
C508	US061220	C. CE. M. CHP	22pF 50V	1300, 5590, 2300		チップセラコン	01
C509	UR847220	C. EL	22uF 25V	1300, 5590, 2300		ケミコン	01
C510	UR847220	C. EL	22uF 25V	1300, 5590, 2300		ケミコン	01
C511	US135100	C. CE. CHP	0. 1uF 16V	1300, 5590, 2300		チップセラコン	01
C512	US135100	C. CE. CHP	0. 1uF 16V	1300, 5590, 2300		チップセラコン	01
C513	UR819100	C. EL	1000uF 6. 3V	1300, 5590, 2300		ケミコン	01
C514	US061100	C. CE. M. CHP	10pF 50V	1300, 5590, 2300		チップセラコン	01
C515	US061100	C. CE. M. CHP	10pF 50V	1300, 5590, 2300		チップセラコン	01
C516	US135100	C. CE. CHP	0. 1uF 16V	1300, 5590, 2300		チップセラコン	01
C517	US061470	C. CE. M. CHP	47pF 50V	1300, 5590, 2300		チップセラコン	01
C518	US061470	C. CE. M. CHP	47pF 50V	1300, 5590, 2300		チップセラコン	01
C519	US135100	C. CE. CHP	0. 1uF 16V	1300, 5590, 2300		チップセラコン	01
C520	US063100	C. CE. M. CHP	1000pF 50V	1300, 5590, 2300		チップセラコン	01
C521	US063100	C. CE. M. CHP	1000pF 50V	1300, 5590, 2300		チップセラコン	01
C522	UR819100	C. EL	1000uF 6. 3V	1300, 5590, 2300		ケミコン	01
C523	UR819100	C. EL	1000uF 6. 3V	1300, 5590, 2300		ケミコン	01
C524	US135100	C. CE. CHP	0. 1uF 16V	1300, 5590, 2300		チップセラコン	01
C525	US135100	C. CE. CHP	0. 1uF 16V	1300, 5590, 2300		チップセラコン	01
C526	US135100	C. CE. CHP	0. 1uF 16V	1300, 5590, 2300		チップセラコン	01
C527	US135100	C. CE. CHP	0. 1uF 16V	1300, 5590, 2300		チップセラコン	01
C528	US135100	C. CE. CHP	0. 1uF 16V	1300, 5590, 2300		チップセラコン	01
C529	US135100	C. CE. CHP	0. 1uF 16V	1300, 5590, 2300		チップセラコン	01
C530	US135100	C. CE. CHP	0. 1uF 16V	1300, 5590, 2300		チップセラコン	01
C531	UR819100	C. EL	1000uF 6. 3V	1300, 5590, 2300		ケミコン	01
C532	US135100	C. CE. CHP	0. 1uF 16V	1300, 5590, 2300		チップセラコン	01
C533	UR819100	C. EL	1000uF 6. 3V	1300, 5590, 2300		ケミコン	01
C534	US135100	C. CE. CHP	0. 1uF 16V	1300, 5590, 2300		チップセラコン	01
C535	US135100	C. CE. CHP	0. 1uF 16V	1300, 5590, 2300		チップセラコン	01
C536	US135100	C. CE. CHP	0. 1uF 16V	1300, 5590, 2300		チップセラコン	01
C537	US135100	C. CE. CHP	0. 1uF 16V	1300, 5590, 2300		チップセラコン	01
C538	UR818100	C. EL	100uF 6. 3V	1300, 5590, 2300		ケミコン	01
C539	US135100	C. CE. CHP	0. 1uF 16V	1300, 5590, 2300		チップセラコン	01
C540	US135100	C. CE. CHP	0. 1uF 16V	1300, 5590, 2300		チップセラコン	01
C541	US061470	C. CE. M. CHP	47pF 50V	1300, 5590, 2300		チップセラコン	01
C542	US135100	C. CE. CHP	0. 1uF 16V	1300, 5590, 2300		チップセラコン	01
C543	US135100	C. CE. CHP	0. 1uF 16V	1300, 5590, 2300		チップセラコン	01
C544	US135100	C. CE. CHP	0. 1uF 16V	1300, 5590, 2300		チップセラコン	01
C545	US135100	C. CE. CHP	0. 1uF 16V	1300, 5590, 2300		チップセラコン	01
C546	UR337100	C. EL	10uF 16V	1300, 5590, 2300		ケミコン A S F	
C547	UA652150	C. MYLAR	150pF 50V	1300, 5590, 2300		マイラーコン	01
C548	UA652150	C. MYLAR	150pF 50V	1300, 5590, 2300		マイラーコン	01

\* New Parts \* 新規部品(マーク#の部品は、基板に含まれません)

RX-V2300/DSP-AX2300  
RX-V1300/RX-V1300RDS/HTR-5590/DSP-AX1300

P.C.B. DSP

Schm Ref.	PART NO.	Description	Remarks	Markets	部 品 名	Rank	
C549	UA652820	C. MYLAR	820pF 50V	1300, 5590, 2300		マイラーコン	01
C550	UU166100	C. EL	1uF 50V	1300, 5590, 2300		ケミコン	01
C551	UR818470	C. EL	470uF 6.3V	1300, 5590, 2300		ケミコン	01
C552	UA652100	C. MYLAR	100pF 50V	1300, 5590, 2300		マイラーコン	01
C553	UA652100	C. MYLAR	100pF 50V	1300, 5590, 2300		マイラーコン	01
C554	UA652100	C. MYLAR	100pF 50V	1300, 5590, 2300		マイラーコン	01
C555	UA652100	C. MYLAR	100pF 50V	1300, 5590, 2300		マイラーコン	01
C556	UA652820	C. MYLAR	820pF 50V	1300, 5590, 2300		マイラーコン	01
C557	UR818100	C. EL	100uF 6.3V	1300, 5590, 2300		ケミコン	01
C558	UU137220	C. EL	22uF 16V	1300, 5590, 2300		ケミコン	01
C559	UU137220	C. EL	22uF 16V	1300, 5590, 2300		ケミコン	01
C560	UU128100	C. EL	100uF 10V	1300, 5590, 2300		ケミコン	01
C561	US135100	C. CE. CHP	0.1uF 16V	1300, 5590, 2300		チップセラコン	01
C562	US135100	C. CE. CHP	0.1uF 16V	1300, 5590, 2300		チップセラコン	01
C563	UU137470	C. EL	47uF 16V	1300, 5590, 2300		ケミコン	01
C564	US061100	C. CE. M. CHP	10pF 50V	1300, 5590, 2300		チップセラコン	01
C565	US063100	C. CE. M. CHP	1000pF 50V	1300, 5590, 2300		チップセラコン	01
C566	US061330	C. CE. M. CHP	33pF 50V	1300, 5590, 2300		チップセラコン	01
C567	US044220	C. CE. M. CHP	0.022uF 25V	1300, 5590, 2300		チップセラコン	01
C568	UR818100	C. EL	100uF 6.3V	1300, 5590, 2300		ケミコン	01
C569	UR818100	C. EL	100uF 6.3V	1300, 5590, 2300		ケミコン	01
C570	US135100	C. CE. CHP	0.1uF 16V	1300, 5590, 2300		チップセラコン	01
C571	US062470	C. CE. M. CHP	470pF 50V	1300, 5590, 2300		チップセラコン	01
C572	US063470	C. CE. CHP	4700pF 50V	1300, 5590, 2300		チップセラコン	01
C573	US063470	C. CE. CHP	4700pF 50V	1300, 5590, 2300		チップセラコン	01
C574	UR818470	C. EL	470uF 6.3V	1300, 5590, 2300		ケミコン	01
C576	US135100	C. CE. CHP	0.1uF 16V	1300, 5590, 2300		チップセラコン	01
C577	US135100	C. CE. CHP	0.1uF 16V	1300, 5590, 2300		チップセラコン	01
C578	US135100	C. CE. CHP	0.1uF 16V	1300, 5590, 2300		チップセラコン	01
C579	UU166100	C. EL	1uF 50V	1300, 5590, 2300		ケミコン	01
C580	US061470	C. CE. M. CHP	47pF 50V	1300, 5590, 2300		チップセラコン	01
C581	US061470	C. CE. M. CHP	47pF 50V	1300, 5590, 2300		チップセラコン	01
C583	US135100	C. CE. CHP	0.1uF 16V	1300, 5590, 2300		チップセラコン	01
C584	US135100	C. CE. CHP	0.1uF 16V	1300, 5590, 2300		チップセラコン	01
C585	US061470	C. CE. M. CHP	47pF 50V	1300, 5590, 2300		チップセラコン	01
C586	US061470	C. CE. M. CHP	47pF 50V	1300, 5590, 2300		チップセラコン	01
C587	US135100	C. CE. CHP	0.1uF 16V	1300, 5590, 2300		チップセラコン	01
C588	US135100	C. CE. CHP	0.1uF 16V	1300, 5590, 2300		チップセラコン	01
C589	US135100	C. CE. CHP	0.1uF 16V	1300, 5590, 2300		チップセラコン	01
C590	US135100	C. CE. CHP	0.1uF 16V	1300, 5590, 2300		チップセラコン	01
C591	UR818100	C. EL	100uF 6.3V	1300, 5590, 2300		ケミコン	01
C592	US135100	C. CE. CHP	0.1uF 16V	1300, 5590, 2300		チップセラコン	01
C593	US135100	C. CE. CHP	0.1uF 16V	1300, 5590, 2300		チップセラコン	01
C594	UR819100	C. EL	1000uF 6.3V	1300, 5590, 2300		ケミコン	01
C595	US064100	C. CE. M. CHP	0.01uF 50V	1300, 5590, 2300		チップセラコン	01
C596	US135100	C. CE. CHP	0.1uF 16V	1300, 5590, 2300		チップセラコン	01
C597	US135100	C. CE. CHP	0.1uF 16V	1300, 5590, 2300		チップセラコン	01
C607	UU166100	C. EL	1uF 50V	1300, 5590, 2300		ケミコン	01
C610	UU166100	C. EL	1uF 50V	1300, 5590, 2300		ケミコン	01
C611	US135100	C. CE. CHP	0.1uF 16V	1300, 5590, 2300		チップセラコン	01
C612	UU166100	C. EL	1uF 50V	1300, 5590, 2300		ケミコン	01
C613	US135100	C. CE. CHP	0.1uF 16V	1300, 5590, 2300		チップセラコン	01
C614	US135100	C. CE. CHP	0.1uF 16V	1300, 5590, 2300		チップセラコン	01

\* New Parts \* 新規部品(マーク#の部品は、基板に含まれません)

P.C.B. DSP

Schm Ref.	PART NO.	Description	Remarks	Markets	部 品 名	Rank
C615	UU166100	C. EL	1uF 50V	1300, 5590, 2300	ケミコン	01
C616	US135100	C. CE. CHP	0. 1uF 16V	1300, 5590, 2300	チップセラコン	01
C617	UU166100	C. EL	1uF 50V	1300, 5590, 2300	ケミコン	01
C618	US135100	C. CE. CHP	0. 1uF 16V	1300, 5590, 2300	チップセラコン	01
C619	UU166100	C. EL	1uF 50V	1300, 5590, 2300	ケミコン	01
C634	VI715300	C. MYLAR	680pF 50V	1300, 5590, 2300	マイラーコン	01
C635	UA652680	C. MYLAR	680pF 50V	1300, 5590, 2300	マイラーコン	01
C636	UA652680	C. MYLAR	680pF 50V	1300, 5590, 2300	マイラーコン	01
C637	UA652820	C. MYLAR	820pF 50V	1300, 5590, 2300	マイラーコン	01
C638	UA652680	C. MYLAR	680pF 50V	1300, 5590, 2300	マイラーコン	01
C639	UA652680	C. MYLAR	680pF 50V	1300, 5590, 2300	マイラーコン	01
C640	UA652680	C. MYLAR	680pF 50V	1300, 5590, 2300	マイラーコン	01
C641	V3888000	C. MYLAR	150pF 50V	1300, 5590, 2300	マイラーコン	01
C642	UA652150	C. MYLAR	150pF 50V	1300, 5590, 2300	マイラーコン	01
C643	UA652150	C. MYLAR	150pF 50V	1300, 5590, 2300	マイラーコン	01
C644	UA652820	C. MYLAR	820pF 50V	1300, 5590, 2300	マイラーコン	01
C645	UA652680	C. MYLAR	680pF 50V	1300, 5590, 2300	マイラーコン	01
C646	UA652150	C. MYLAR	150pF 50V	1300, 5590, 2300	マイラーコン	01
C647	UA652150	C. MYLAR	150pF 50V	1300, 5590, 2300	マイラーコン	01
C648	UA652150	C. MYLAR	150pF 50V	1300, 5590, 2300	マイラーコン	01
C649	UA652150	C. MYLAR	150pF 50V	1300, 5590, 2300	マイラーコン	01
C650	UA652150	C. MYLAR	150pF 50V	1300, 5590, 2300	マイラーコン	01
C651	V3888000	C. MYLAR	150pF 50V	1300, 5590, 2300	マイラーコン	01
C652	UA652150	C. MYLAR	150pF 50V	1300, 5590, 2300	マイラーコン	01
C653	UA652150	C. MYLAR	150pF 50V	1300, 5590, 2300	マイラーコン	01
C654	UA652150	C. MYLAR	150pF 50V	1300, 5590, 2300	マイラーコン	01
C655	UA652150	C. MYLAR	150pF 50V	1300, 5590, 2300	マイラーコン	01
C656	US135100	C. CE. CHP	0. 1uF 16V	1300, 5590, 2300	チップセラコン	01
C657	US135100	C. CE. CHP	0. 1uF 16V	1300, 5590, 2300	チップセラコン	01
C658	UR337100	C. EL	10uF 16V	1300, 5590, 2300	ケミコン A S F	
C659	UR337100	C. EL	10uF 16V	1300, 5590, 2300	ケミコン A S F	
C660	UA652150	C. MYLAR	150pF 50V	1300, 5590, 2300	マイラーコン	01
C661	UA652150	C. MYLAR	150pF 50V	1300, 5590, 2300	マイラーコン	01
C662	UA652150	C. MYLAR	150pF 50V	1300, 5590, 2300	マイラーコン	01
C663	US135100	C. CE. CHP	0. 1uF 16V	1300, 5590, 2300	チップセラコン	01
C664	US135100	C. CE. CHP	0. 1uF 16V	1300, 5590, 2300	チップセラコン	01
C665	US135100	C. CE. CHP	0. 1uF 16V	1300, 5590, 2300	チップセラコン	01
C666	US135100	C. CE. CHP	0. 1uF 16V	1300, 5590, 2300	チップセラコン	01
C667	US135100	C. CE. CHP	0. 1uF 16V	1300, 5590, 2300	チップセラコン	01
C668	US135100	C. CE. CHP	0. 1uF 16V	1300, 5590, 2300	チップセラコン	01
C669	UR337100	C. EL	10uF 16V	1300, 5590, 2300	ケミコン A S F	
C670	UR337100	C. EL	10uF 16V	1300, 5590, 2300	ケミコン A S F	
C671	UU147100	C. EL	10uF 25V	1300, 5590, 2300	ケミコン	01
C672	US135100	C. CE. CHP	0. 1uF 16V	1300, 5590, 2300	チップセラコン	01
C673	UR337470	C. EL	47uF 16V	1300, 5590, 2300	ケミコン A S F	
C674	UR337470	C. EL	47uF 16V	1300, 5590, 2300	ケミコン A S F	
C675	UR337100	C. EL	10uF 16V	1300, 5590, 2300	ケミコン A S F	
C676	UR337100	C. EL	10uF 16V	1300, 5590, 2300	ケミコン A S F	
C677	VR168300	C. MYLAR. ML	ECQ-V1H104JL3	1300, 5590, 2300	積層マイラーコン	01
C678	VR168300	C. MYLAR. ML	ECQ-V1H104JL3	1300, 5590, 2300	積層マイラーコン	01
C679	UR337100	C. EL	10uF 16V	1300, 5590, 2300	ケミコン A S F	
C680	UR337100	C. EL	10uF 16V	1300, 5590, 2300	ケミコン A S F	
C681	US062220	C. CE. CHP	220pF 50V	1300, 5590, 2300	チップセラコン	01

\* New Parts \* 新規部品(マーク#の部品は、基板に含まれません)

RX-V2300/DSP-AX2300  
RX-V1300/RX-V1300RDS/HTR-5590/DSP-AX1300



P.C.B. DSP

Schm Ref.	PART NO.	Description	Remarks	Markets	部 品 名	Rank
C682	US062220	C. CE. CHP	220pF 50V	1300, 5590, 2300	チップセラコン	01
C683	UR866220	C. EL	2. 2uF 50V	1300, 5590, 2300	ケミコン	01
C684	US062470	C. CE. M. CHP	470pF 50V	1300, 5590, 2300	チップセラコン	01
* C685	UR337470	C. EL	47uF 16V	1300, 5590, 2300	ケミコン A S F	
C686	UR817470	C. EL	47uF 6. 3V	1300, 5590, 2300	ケミコン	01
C687	US061330	C. CE. M. CHP	33pF 50V	1300, 5590, 2300	チップセラコン	01
C688	UR818100	C. EL	100uF 6. 3V	1300, 5590, 2300	ケミコン	01
C689	US135100	C. CE. CHP	0. 1uF 16V	1300, 5590, 2300	チップセラコン	01
* C690	UR337470	C. EL	47uF 16V	1300, 5590, 2300	ケミコン A S F	
C691	US135100	C. CE. CHP	0. 1uF 16V	1300, 5590, 2300	チップセラコン	01
C692	UR818100	C. EL	100uF 6. 3V	1300, 5590, 2300	ケミコン	01
* C693	UR337470	C. EL	47uF 16V	1300, 5590, 2300	ケミコン A S F	
* C694	UR337470	C. EL	47uF 16V	1300, 5590, 2300	ケミコン A S F	
C695	UR818100	C. EL	100uF 6. 3V	1300, 5590, 2300	ケミコン	01
C696	UR818100	C. EL	100uF 6. 3V	1300, 5590, 2300	ケミコン	01
C697	US135100	C. CE. CHP	0. 1uF 16V	1300, 5590, 2300	チップセラコン	01
C698	US135100	C. CE. CHP	0. 1uF 16V	1300, 5590, 2300	チップセラコン	01
C699	UR818100	C. EL	100uF 6. 3V	1300, 5590, 2300	ケミコン	01
C700	US135100	C. CE. CHP	0. 1uF 16V	1300, 5590, 2300	チップセラコン	01
C701	US061330	C. CE. M. CHP	33pF 50V	1300, 5590, 2300	チップセラコン	01
C702	US135100	C. CE. CHP	0. 1uF 16V	1300, 5590, 2300	チップセラコン	01
C703	UR818100	C. EL	100uF 6. 3V	1300, 5590, 2300	ケミコン	01
* C704	UR337470	C. EL	47uF 16V	1300, 5590, 2300	ケミコン A S F	
* C705	UR337470	C. EL	47uF 16V	1300, 5590, 2300	ケミコン A S F	
C706	US061470	C. CE. M. CHP	47pF 50V	1300, 5590, 2300	チップセラコン	01
C707	US061470	C. CE. M. CHP	47pF 50V	1300, 5590, 2300	チップセラコン	01
C708	US135100	C. CE. CHP	0. 1uF 16V	1300, 5590, 2300	チップセラコン	01
C709	US135100	C. CE. CHP	0. 1uF 16V	1300, 5590, 2300	チップセラコン	01
C710	UR818100	C. EL	100uF 6. 3V	1300, 5590, 2300	ケミコン	01
C711	UR818100	C. EL	100uF 6. 3V	1300, 5590, 2300	ケミコン	01
C712	UR818100	C. EL	100uF 6. 3V	1300, 5590, 2300	ケミコン	01
C713	US061470	C. CE. M. CHP	47pF 50V	1300, 5590, 2300	チップセラコン	01
C714	VR168300	C. MYLAR. ML	ECQ-V1H104JL3	1300, 5590, 2300	積層マイラーコン	01
C715	VR168300	C. MYLAR. ML	ECQ-V1H104JL3	1300, 5590, 2300	積層マイラーコン	01
C716	US135100	C. CE. CHP	0. 1uF 16V	1300, 5590, 2300	チップセラコン	01
C717	US135100	C. CE. CHP	0. 1uF 16V	1300, 5590, 2300	チップセラコン	01
C718	US135100	C. CE. CHP	0. 1uF 16V	1300, 5590, 2300	チップセラコン	01
C720	UR818100	C. EL	100uF 6. 3V	1300, 5590, 2300	ケミコン	01
C721	VR168300	C. MYLAR. ML	ECQ-V1H104JL3	1300, 5590, 2300	積層マイラーコン	01
C722	UR818100	C. EL	100uF 6. 3V	1300, 5590, 2300	ケミコン	01
C723	US135100	C. CE. CHP	0. 1uF 16V	1300, 5590, 2300	チップセラコン	01
C724	UR818100	C. EL	100uF 6. 3V	1300, 5590, 2300	ケミコン	01
C725	US135100	C. CE. CHP	0. 1uF 16V	1300, 5590, 2300	チップセラコン	01
C726	VR168300	C. MYLAR. ML	ECQ-V1H104JL3	1300, 5590, 2300	積層マイラーコン	01
C727	VR168300	C. MYLAR. ML	ECQ-V1H104JL3	1300, 5590, 2300	積層マイラーコン	01
C728	VR168300	C. MYLAR. ML	ECQ-V1H104JL3	1300, 5590, 2300	積層マイラーコン	01
* C729	UR337470	C. EL	47uF 16V	1300, 5590, 2300	ケミコン A S F	
C730	VR168300	C. MYLAR. ML	ECQ-V1H104JL3	1300, 5590, 2300	積層マイラーコン	01
C731	VR168300	C. MYLAR. ML	ECQ-V1H104JL3	1300, 5590, 2300	積層マイラーコン	01
C732	UR819100	C. EL	1000uF 6. 3V	1300, 5590, 2300	ケミコン	01
C733	US135100	C. CE. CHP	0. 1uF 16V	1300, 5590, 2300	チップセラコン	01
C734	US062100	C. CE. M. CHP	100pF 50V	1300, 5590, 2300	チップセラコン	01
* C736	UR337470	C. EL	47uF 16V	1300, 5590, 2300	ケミコン A S F	

\* New Parts \* 新規部品(マーク#の部品は、基板に含まれません)

P.C.B. DSP

Schm Ref.	PART NO.	Description	Remarks	Markets	部 品 名	Rank	
C737	VR168300	C. MYLAR. ML	ECQ-V1H104JL3	1300, 5590, 2300		積層マイラーコン	01
C738	VR168300	C. MYLAR. ML	ECQ-V1H104JL3	1300, 5590, 2300		積層マイラーコン	01
* C747	UR337470	C. EL	47uF 16V	1300, 5590, 2300		ケミコン A S F	
* C748	UR337470	C. EL	47uF 16V	1300, 5590, 2300		ケミコン A S F	
C749	US034470	C. CE. M. CHP	0. 047uF 16V	1300, 5590, 2300		チップセラコン	01
C750	UR837100	C. EL	10uF 16V	1300, 5590, 2300		ケミコン	01
C751	UR837100	C. EL	10uF 16V	1300, 5590, 2300		ケミコン	01
C752	UA652820	C. MYLAR	820pF 50V	1300, 5590, 2300		マイラーコン	01
C753	UA652820	C. MYLAR	820pF 50V	1300, 5590, 2300		マイラーコン	01
C754	US061470	C. CE. CHP	47pF 50V	1300, 5590, 2300	J	チップセラコン	01
C755	US061470	C. CE. CHP	47pF 50V	1300, 5590, 2300	J	チップセラコン	01
C756	US061470	C. CE. CHP	47pF 50V	1300, 5590, 2300	J	チップセラコン	01
D501	VT332900	DIODE	1SS355	1300, 5590, 2300		ダイオード	01
D502	VT332900	DIODE	1SS355	1300, 5590, 2300		ダイオード	01
D503	VT332900	DIODE	1SS355	1300, 5590, 2300		ダイオード	01
D504	VV220700	DIODE. SHOT	RB501V-40	1300, 5590, 2300		ショットキーダイオード	01
D505	VV220700	DIODE. SHOT	RB501V-40	1300, 5590, 2300		ショットキーダイオード	01
D506	VT332900	DIODE	1SS355	1300, 5590, 2300		ダイオード	01
D507	VT332900	DIODE	1SS355	1300, 5590, 2300		ダイオード	01
D508	VV220700	DIODE. SHOT	RB501V-40	1300, 5590, 2300		ショットキーダイオード	01
D509	VV220700	DIODE. SHOT	RB501V-40	1300, 5590, 2300		ショットキーダイオード	01
D510	VV220700	DIODE. SHOT	RB501V-40	1300, 5590, 2300		ショットキーダイオード	01
D511	VV220700	DIODE. SHOT	RB501V-40	1300, 5590, 2300		ショットキーダイオード	01
D512	VV220700	DIODE. SHOT	RB501V-40	1300, 5590, 2300		ショットキーダイオード	01
D513	VV220700	DIODE. SHOT	RB501V-40	1300, 5590, 2300		ショットキーダイオード	01
D514	VV220700	DIODE. SHOT	RB501V-40	1300, 5590, 2300		ショットキーダイオード	01
D515	VV220700	DIODE. SHOT	RB501V-40	1300, 5590, 2300		ショットキーダイオード	01
D516	VT332900	DIODE	1SS355	1300, 5590, 2300		ダイオード	01
D517	VT332900	DIODE	1SS355	1300, 5590, 2300		ダイオード	01
D518	VT332900	DIODE	1SS355	1300, 5590, 2300		ダイオード	01
D519	VT332900	DIODE	1SS355	1300, 5590, 2300		ダイオード	01
D520	VT332900	DIODE	1SS355	1300, 5590, 2300		ダイオード	01
D521	VT332900	DIODE	1SS355	1300, 5590, 2300		ダイオード	01
D522	VT332900	DIODE	1SS355	1300, 5590, 2300		ダイオード	01
D523	VT332900	DIODE	1SS355	1300, 5590, 2300		ダイオード	01
D524	VT332900	DIODE	1SS355	1300, 5590, 2300		ダイオード	01
D525	VT332900	DIODE	1SS355	1300, 5590, 2300		ダイオード	01
D526	VT332900	DIODE	1SS355	1300, 5590, 2300		ダイオード	01
D527	VT332900	DIODE	1SS355	1300, 5590, 2300		ダイオード	01
D528	VT332900	DIODE	1SS355	1300, 5590, 2300		ダイオード	01
D529	VT332900	DIODE	1SS355	1300, 5590, 2300		ダイオード	01
D530	VT332900	DIODE	1SS355	1300, 5590, 2300		ダイオード	01
D531	VT332900	DIODE	1SS355	1300, 5590, 2300		ダイオード	01
D532	VT332900	DIODE	1SS355	1300, 5590, 2300		ダイオード	01
D533	VT332900	DIODE	1SS355	1300, 5590, 2300		ダイオード	01
D534	VT332900	DIODE	1SS355	1300, 5590, 2300		ダイオード	01
D539	VT332900	DIODE	1SS355	1300, 5590, 2300		ダイオード	01
D540	VT332900	DIODE	1SS355	1300, 5590, 2300		ダイオード	01
IC501	XD660A00	IC	TC74HCU04AF-TP1	1300, 5590, 2300		I C	01
IC502	XD660A00	IC	TC74HCU04AF-TP1	1300, 5590, 2300		I C	01
IC503	XY120A00	IC	TC74HCT00AF (EL) NA	1300, 5590, 2300		ロジック I C S O P	01
* IC508	X2829A00	IC	CS4392-KZR	1300, 5590, 2300		I C	
IC509	XJ553A00	IC	NJM2068MD	1300, 5590, 2300		I C	02

\* New Parts \* 新規部品(マーク#の部品は、基板に含まれません)

RX-V2300/DSP-AX2300  
RX-V1300/RX-V1300RDS/HTR-5590/DSP-AX1300

P.C.B. DSP

Schm Ref.	PART NO.	Description	Remarks	Markets	部 品 名	Rank	
*	IC510	X2828A00 IC	CS4382-KQR	1300, 5590, 2300		IC	
	IC512	XZ012A00 IC	TC74HCT08AF (EL)	1300, 5590, 2300		ロジック IC SOP	01
	IC513	XR038A00 IC	NJM2904M OP AMP	1300, 5590, 2300		IC	01
	IC514	XO238B00 IC	YSS938	1300, 5590, 2300		IC	13
	IC515	XV077B00 IC	MSM514260E-60JS	1300, 5590, 2300		メモリ IC 4M	
	IC516	XU965A00 IC	uPC29M33T-E1 3.3V	1300, 5590, 2300		電源 IC	03
	IC517	XZ003A00 IC	PQ025EZ5MZP 2.5V	1300, 5590, 2300		電源 IC QFP	03
	IC518	XJ553A00 IC	NJM2068MD	1300, 5590, 2300		IC	02
	IC519	XJ553A00 IC	NJM2068MD	1300, 5590, 2300		IC	02
	IC520	XJ553A00 IC	NJM2068MD	1300, 5590, 2300		IC	02
	IC521	XJ553A00 IC	NJM2068MD	1300, 5590, 2300		IC	02
	IC522	XJ553A00 IC	NJM2068MD	1300, 5590, 2300		IC	02
	IC523	XJ553A00 IC	NJM2068MD	1300, 5590, 2300		IC	02
	IC524	XY172A00 IC	CS5360-KSR	1300, 5590, 2300		IC	08
	IC525	X3473A00 IC	CS493292-CLR	1300, 5590, 2300		IC	
*	IC526	X2989B00 IC	XC9572XL-10TQ100C	1300, 5590, 2300		IC	07
	IC527	XW433A00 IC	CY62256LL-70SNCT	1300, 5590, 2300		メモリ IC 256K	05
*	IC528	X3045B00 IC	MX29F400BTC-70	1300, 5590, 2300		メモリ IC TSOP	08
	L501	V2726500 COIL	68uH	1300, 5590, 2300		コイル	01
	L502	V2726500 COIL	68uH	1300, 5590, 2300		コイル	01
	L503	V2726500 COIL	68uH	1300, 5590, 2300		コイル	01
	L504	V2726500 COIL	68uH	1300, 5590, 2300		コイル	01
*	PJ501	V9420700 JACK. PIN	MSP-252V1-30NI	1300, 5590, 2300		ピンジャック 2P	
	Q501	VV655300 TR. DGT	DTA144EKA	1300, 5590, 2300		デジタルトランジスタ	01
	Q502	VV655300 TR. DGT	DTA144EKA	1300, 5590, 2300		デジタルトランジスタ	01
	Q503	VV655300 TR. DGT	DTA144EKA	1300, 5590, 2300		デジタルトランジスタ	01
	Q504	VV655300 TR. DGT	DTA144EKA	1300, 5590, 2300		デジタルトランジスタ	01
	Q505	VV655300 TR. DGT	DTA144EKA	1300, 5590, 2300		デジタルトランジスタ	01
	Q506	VV655300 TR. DGT	DTA144EKA	1300, 5590, 2300		デジタルトランジスタ	01
	Q507	VV655300 TR. DGT	DTA144EKA	1300, 5590, 2300		デジタルトランジスタ	01
	Q508	VD303700 TR	2SC3326 A, B	1300, 5590, 2300		トランジスタ	01
	Q509	VV655300 TR. DGT	DTA144EKA	1300, 5590, 2300		デジタルトランジスタ	01
	Q510	VD303700 TR	2SC3326 A, B	1300, 5590, 2300		トランジスタ	01
	Q511	VD303700 TR	2SC3326 A, B	1300, 5590, 2300		トランジスタ	01
	Q512	VD303700 TR	2SC3326 A, B	1300, 5590, 2300		トランジスタ	01
	Q513	VD303700 TR	2SC3326 A, B	1300, 5590, 2300		トランジスタ	01
	Q514	VD303700 TR	2SC3326 A, B	1300, 5590, 2300		トランジスタ	01
	Q515	VD303700 TR	2SC3326 A, B	1300, 5590, 2300		トランジスタ	01
	Q516	VD303700 TR	2SC3326 A, B	1300, 5590, 2300		トランジスタ	01
	Q517	VD303700 TR	2SC3326 A, B	1300, 5590, 2300		トランジスタ	01
	R533	VP939500 R. MTL. FLM	1Ω 1W	1300, 5590, 2300		金属被膜抵抗	01
	R534	HV753220 R. CAR. FP	2.2Ω 1/4W	1300, 5590, 2300		不燃化カーボン抵抗	01
	R553	HV753220 R. CAR. FP	2.2Ω 1/4W	1300, 5590, 2300		不燃化カーボン抵抗	01
	R555	VP939500 R. MTL. FLM	1Ω 1W	1300, 5590, 2300		金属被膜抵抗	01
	R591	VP939500 R. MTL. FLM	1Ω 1W	1300, 5590, 2300		金属被膜抵抗	01
	R592	HV753100 R. CAR. FP	1Ω 1/4W	1300, 5590, 2300		不燃化カーボン抵抗	01
	R619	VP939600 R. MTL. FLM	2.2Ω 1W	1300, 5590, 2300		金属被膜抵抗	
	R626	VP939600 R. MTL. FLM	2.2Ω 1W	1300, 5590, 2300		金属被膜抵抗	
	R661	HV753220 R. CAR. FP	2.2Ω 1/4W	1300, 5590, 2300		不燃化カーボン抵抗	01
	R662	HV753220 R. CAR. FP	2.2Ω 1/4W	1300, 5590, 2300		不燃化カーボン抵抗	01
	R666	HV753220 R. CAR. FP	2.2Ω 1/4W	1300, 5590, 2300		不燃化カーボン抵抗	01
	R671	HV753220 R. CAR. FP	2.2Ω 1/4W	1300, 5590, 2300		不燃化カーボン抵抗	01
	TP501	VL448600 JUMPER. TST		1300, 5590, 2300		ラジアルジャンパー線	01

\* New Parts \* 新規部品(マーク#の部品は、基板に含まれません)

P.C.B. DSP & P.C.B. FUNCTION

Schm Ref.	PART NO.	Description	Remarks	Markets	部 品 名	Rank	
TP502	VL448600	JUMPER. TST	1300, 5590, 2300		ラジアルジャンパー線	01	
TP503	VL448600	JUMPER. TST	1300, 5590, 2300		ラジアルジャンパー線	01	
TP504	VL448600	JUMPER. TST	1300, 5590, 2300		ラジアルジャンパー線	01	
TP505	VL448600	JUMPER. TST	1300, 5590, 2300		ラジアルジャンパー線	01	
TP506	VL448600	JUMPER. TST	1300, 5590, 2300		ラジアルジャンパー線	01	
TP507	VL448600	JUMPER. TST	1300, 5590, 2300		ラジアルジャンパー線	01	
TP508	VL448600	JUMPER. TST	1300, 5590, 2300		ラジアルジャンパー線	01	
TP509	VL448600	JUMPER. TST	1300, 5590, 2300		ラジアルジャンパー線	01	
TP510	VL448600	JUMPER. TST	1300, 5590, 2300		ラジアルジャンパー線	01	
U501	V5478200	CN. PHOT. SN 1P GP1FA551RZ	1300, 5590, 2300		光ファイバ受信器	06	
U502	V5478200	CN. PHOT. SN 1P GP1FA551RZ	1300, 5590, 2300		光ファイバ受信器	06	
U503	V5478200	CN. PHOT. SN 1P GP1FA551RZ	1300, 5590, 2300		光ファイバ受信器	06	
U504	V5478200	CN. PHOT. SN 1P GP1FA551RZ	1300, 5590, 2300		光ファイバ受信器	06	
U505	V6022800	CN. FBRLINK 1P GP1FA551TZ	1300, 5590, 2300		光ファイバデータリンク	03	
U506	V6022800	CN. FBRLINK 1P GP1FA551TZ	1300, 5590, 2300		光ファイバデータリンク	03	
XL503	V3625700	RSNR. CRYST 24. 576MHz	1300, 5590, 2300		水晶振動子	03	
	V9590000	P. C. B.	FUNCTION	1300	J	P C B ファンクション	
	V9590100	P. C. B.	FUNCTION	1300, 5590	UC	P C B ファンクション	
	V9590200	P. C. B.	FUNCTION	1300, 5590	RTK	P C B ファンクション	
	V9590300	P. C. B.	FUNCTION	1300, 5590	A	P C B ファンクション	
	V9590400	P. C. B.	FUNCTION	1300, 5590	BG	P C B ファンクション	
CB501	V7826000	CN	10P TE TUC SERIES	1300, 5590		コネクタープラグ	01
CB502	V7826100	CN	11P TE TUC SERIES	1300, 5590		コネクタープラグ	01
CB503	V7828300	SOCKET	16P TE TUC SERIES	1300, 5590		コネクタースocket	01
CB504	VM859600	CN. BS. PIN	15P	1300, 5590		F F Cコネクタ	01
CB505	VM973500	CN. BS. PIN	17P	1300, 5590		F F Cコネクタ	01
CB506	VM859700	CN. BS. PIN	16P	1300, 5590		F F Cコネクタ	01
CB507	VQ047400	CN. BS. PIN	19P	1300, 5590		F F Cコネクタ	01
CB508	V7828300	SOCKET	16P TE TUC SERIES	1300, 5590		コネクタースocket	01
CB509	VQ044900	CN. BS. PIN	19P	1300, 5590		F F Cコネクタ	01
CB510	VQ044700	CN. BS. PIN	16P	1300, 5590		F F Cコネクタ	01
CB511	VB858600	CN. BS. PIN	7P	1300, 5590		ベースピン	01
C503	UR866220	C. EL	2. 2uF 50V	1300, 5590		ケミコン	01
C506	UR828220	C. EL	220uF 10V	1300, 5590		ケミコン	01
C507	UR828220	C. EL	220uF 10V	1300, 5590		ケミコン	01
C508	UR866220	C. EL	2. 2uF 50V	1300, 5590	UCA	ケミコン	01
C509	UR866220	C. EL	2. 2uF 50V	1300, 5590	UCA	ケミコン	01
C512	UR837100	C. EL	10uF 16V	1300, 5590		ケミコン	01
C513	UR837100	C. EL	10uF 16V	1300, 5590		ケミコン	01
C514	UR837100	C. EL	10uF 16V	1300, 5590		ケミコン	01
C515	UR837470	C. EL	47uF 16V	1300, 5590		ケミコン	01
C516	UR837470	C. EL	47uF 16V	1300, 5590		ケミコン	01
C517	UR837100	C. EL	10uF 16V	1300, 5590	UCA	ケミコン	01
C518	UR837100	C. EL	10uF 16V	1300, 5590	UCA	ケミコン	01
C519	VG291200	C. EL	47uF 50V	1300, 5590		ケミコン	01
C520	VG291200	C. EL	47uF 50V	1300, 5590		ケミコン	01
C523	VG290800	C. EL	4. 7uF 63V	1300, 5590		ケミコン	01
C524	VG290800	C. EL	4. 7uF 63V	1300, 5590		ケミコン	01
C525	VG290800	C. EL	4. 7uF 63V	1300, 5590		ケミコン	01
C526	VG290800	C. EL	4. 7uF 63V	1300, 5590		ケミコン	01

\* New Parts \* 新規部品(マーク#の部品は、基板に含まれません)

RX-V2300/DSP-AX2300  
RX-V1300/RX-V1300RDS/HTR-5590/DSP-AX1300

\*  
\*  
\*  
\*  
\*  
\*

**P.C.B. FUNCTION**

Schm Ref.	PART NO.	Description	Remarks	Markets	部 品 名	Rank	
C527	UR837100	C. EL	10uF 16V	1300, 5590		ケミコン	01
C528	UU137100	C. EL	10uF 16V	1300, 5590		ケミコン	01
C529	UU137100	C. EL	10uF 16V	1300, 5590		ケミコン	01
C530	UR837100	C. EL	10uF 16V	1300, 5590		ケミコン	01
C531	VG291200	C. EL	47uF 50V	1300, 5590		ケミコン	01
C532	VG291200	C. EL	47uF 50V	1300, 5590		ケミコン	01
C533	UR866220	C. EL	2. 2uF 50V	1300, 5590	UCA	ケミコン	01
* C534	UR337100	C. EL	10uF 16V	1300, 5590		ケミコン A S F	
* C535	UR337100	C. EL	10uF 16V	1300, 5590		ケミコン A S F	
* C536	UR337100	C. EL	10uF 16V	1300, 5590		ケミコン A S F	
* C537	UR337100	C. EL	10uF 16V	1300, 5590		ケミコン A S F	
C538	UR837100	C. EL	10uF 16V	1300, 5590		ケミコン	01
C539	UR837100	C. EL	10uF 16V	1300, 5590		ケミコン	01
C540	UR837100	C. EL	10uF 16V	1300, 5590		ケミコン	01
C541	VG291200	C. EL	47uF 50V	1300, 5590		ケミコン	01
C542	VG291200	C. EL	47uF 50V	1300, 5590		ケミコン	01
C543	VG290700	C. EL	3. 3uF 50V	1300, 5590		ケミコン	01
C544	VG290700	C. EL	3. 3uF 50V	1300, 5590		ケミコン	01
* C545	UR337100	C. EL	10uF 16V	1300, 5590		ケミコン A S F	
C546	UR837100	C. EL	10uF 16V	1300, 5590		ケミコン	01
C547	UR837100	C. EL	10uF 16V	1300, 5590		ケミコン	01
C548	UR837100	C. EL	10uF 16V	1300, 5590		ケミコン	01
C549	UR837100	C. EL	10uF 16V	1300, 5590		ケミコン	01
* C550	UR337100	C. EL	10uF 16V	1300, 5590		ケミコン A S F	
* C552	UR337100	C. EL	10uF 16V	1300, 5590		ケミコン A S F	
* C553	UR337100	C. EL	10uF 16V	1300, 5590		ケミコン A S F	
C554	VG290700	C. EL	3. 3uF 50V	1300, 5590		ケミコン	01
C555	UR866330	C. EL	3. 3uF 50V	1300, 5590		ケミコン	01
C556	UR866330	C. EL	3. 3uF 50V	1300, 5590		ケミコン	01
C557	UR866330	C. EL	3. 3uF 50V	1300, 5590		ケミコン	01
C558	UR866330	C. EL	3. 3uF 50V	1300, 5590		ケミコン	01
C559	UR866330	C. EL	3. 3uF 50V	1300, 5590		ケミコン	01
C563	UR865470	C. EL	0. 47uF 50V	1300, 5590		ケミコン	01
C564	VG290900	C. EL	10uF 50V	1300, 5590		ケミコン	01
C565	VG290900	C. EL	10uF 50V	1300, 5590		ケミコン	01
C566	UR837100	C. EL	10uF 16V	1300, 5590		ケミコン	01
C567	UR837100	C. EL	10uF 16V	1300, 5590		ケミコン	01
C568	VG291200	C. EL	47uF 50V	1300, 5590		ケミコン	01
C569	UU137100	C. EL	10uF 16V	1300, 5590		ケミコン	01
C570	UU137100	C. EL	10uF 16V	1300, 5590		ケミコン	01
C573	UR837100	C. EL	10uF 16V	1300, 5590		ケミコン	01
C574	UR837100	C. EL	10uF 16V	1300, 5590		ケミコン	01
C575	UR837100	C. EL	10uF 16V	1300, 5590		ケミコン	01
C576	UR839100	C. EL	1000uF 16V	1300, 5590		ケミコン	01
C577	UR837470	C. EL	47uF 16V	1300, 5590		ケミコン	01
C580	VT180400	C. EL	4700uF 5. 5V	1300, 5590		バックアップケミコン	02
C581	UR837100	C. EL	10uF 16V	1300, 5590		ケミコン	01
C582	UR837100	C. EL	10uF 16V	1300, 5590		ケミコン	01
C583	UR837100	C. EL	10uF 16V	1300, 5590		ケミコン	01
C584	VG291200	C. EL	47uF 50V	1300, 5590		ケミコン	01
C585	VG291200	C. EL	47uF 50V	1300, 5590		ケミコン	01
C586	UR819100	C. EL	1000uF 6. 3V	1300, 5590		ケミコン	01
C587	UR819100	C. EL	1000uF 6. 3V	1300, 5590		ケミコン	01

\* New Parts \* 新規部品(マーク#の部品は、基板に含まれません)

P.C.B. FUNCTION

Schm Ref.	PART NO.	Description	Remarks	Markets	部 品 名	Rank
* C588	UR337100	C. EL	10uF 16V	1300, 5590	ケミコン A S F	
* C589	UR337100	C. EL	10uF 16V	1300, 5590	ケミコン A S F	
* C590	UR337100	C. EL	10uF 16V	1300, 5590	ケミコン A S F	
* C591	UR337100	C. EL	10uF 16V	1300, 5590	ケミコン A S F	
C592	VG291200	C. EL	47uF 50V	1300, 5590	ケミコン	01
C593	UR848100	C. EL	100uF 25V	1300, 5590	ケミコン	01
C594	VG291200	C. EL	47uF 50V	1300, 5590	ケミコン	01
C595	UR866220	C. EL	2.2uF 50V	1300, 5590	ケミコン	01
C596	UR866220	C. EL	2.2uF 50V	1300, 5590	ケミコン	01
C597	UR866220	C. EL	2.2uF 50V	1300, 5590	ケミコン	01
C598	UR866220	C. EL	2.2uF 50V	1300, 5590	ケミコン	01
C599	UR866220	C. EL	2.2uF 50V	1300, 5590	ケミコン	01
C600	UR866220	C. EL	2.2uF 50V	1300, 5590	ケミコン	01
C601	US135100	C. CE. CHP	0.1uF 16V	1300, 5590	チップセラコン	01
C602	US135100	C. CE. CHP	0.1uF 16V	1300, 5590	チップセラコン	01
C603	UA652220	C. MYLAR	220pF 50V	1300, 5590	マイラーコン	01
C603	UA652220	C. MYLAR	220pF 50V	1300, 5590	ABG マイラーコン	01
C604	UA652220	C. MYLAR	220pF 50V	1300, 5590	ABG マイラーコン	01
C604	UA652220	C. MYLAR	220pF 50V	1300, 5590	マイラーコン	01
C605	UA652470	C. MYLAR	470pF 50V	1300, 5590	マイラーコン	01
C606	UA652470	C. MYLAR	470pF 50V	1300, 5590	マイラーコン	01
C607	UA652100	C. MYLAR	100pF 50V	1300, 5590	マイラーコン	01
C608	UA652100	C. MYLAR	100pF 50V	1300, 5590	マイラーコン	01
C609	UA652470	C. MYLAR	470pF 50V	1300, 5590	マイラーコン	01
C610	UA652470	C. MYLAR	470pF 50V	1300, 5590	マイラーコン	01
C611	UA652100	C. MYLAR	100pF 50V	1300, 5590	マイラーコン	01
C612	UA652100	C. MYLAR	100pF 50V	1300, 5590	マイラーコン	01
C613	VQ462600	C. MYLAR	220pF 50V	1300, 5590	マイラーコン	01
C614	VQ462600	C. MYLAR	220pF 50V	1300, 5590	マイラーコン	01
C615	UA652220	C. MYLAR	220pF 50V	1300, 5590	マイラーコン	01
C616	UA652220	C. MYLAR	220pF 50V	1300, 5590	マイラーコン	01
C617	UA652470	C. MYLAR	470pF 50V	1300, 5590	マイラーコン	01
C618	UA652470	C. MYLAR	470pF 50V	1300, 5590	マイラーコン	01
C619	UA652470	C. MYLAR	470pF 50V	1300, 5590	マイラーコン	01
C620	UA652470	C. MYLAR	470pF 50V	1300, 5590	マイラーコン	01
C621	UA652470	C. MYLAR	470pF 50V	1300, 5590	マイラーコン	01
C622	UA652470	C. MYLAR	470pF 50V	1300, 5590	マイラーコン	01
C623	UA654390	C. MYLAR	0.039uF 50V	1300, 5590	マイラーコン	01
C624	UA654390	C. MYLAR	0.039uF 50V	1300, 5590	マイラーコン	01
C625	US062100	C. CE. M. CHP	100pF 50V	1300, 5590	UCA チップセラコン	01
C626	US062100	C. CE. M. CHP	100pF 50V	1300, 5590	UCA チップセラコン	01
C627	UA654110	C. MYLAR	0.011uF 50V	1300, 5590	マイラーコン	01
C628	UA654110	C. MYLAR	0.011uF 50V	1300, 5590	マイラーコン	01
C629	UA653100	C. MYLAR	1000pF 50V	1300, 5590	マイラーコン	03
C630	UA653100	C. MYLAR	1000pF 50V	1300, 5590	マイラーコン	03
C631	VP917500	C. PP	100pF 100V	1300, 5590	PPコン	01
C632	VP917500	C. PP	100pF 100V	1300, 5590	PPコン	01
C633	US135100	C. CE. CHP	0.1uF 16V	1300, 5590	チップセラコン	01
C635	Vi717200	C. MYLAR	0.027uF 50V	1300, 5590	マイラーコン	01
C636	Vi717200	C. MYLAR	0.027uF 50V	1300, 5590	マイラーコン	01
C637	Vi717200	C. MYLAR	0.027uF 50V	1300, 5590	マイラーコン	01
C638	Vi717200	C. MYLAR	0.027uF 50V	1300, 5590	マイラーコン	01
C639	US135100	C. CE. CHP	0.1uF 16V	1300, 5590	チップセラコン	01

\* New Parts \* 新規部品(マーク#の部品は、基板に含まれません)

RX-V2300/DSP-AX2300  
RX-V1300/RX-V1300RDS/HTR-5590/DSP-AX1300

P.C.B. FUNCTION

Schm Ref.	PART NO.	Description	Remarks	Markets	部 品 名	Rank	
C640	UT822100	C. PP	100pF 100V	1300, 5590		PPコン	01
C641	UT822100	C. PP	100pF 100V	1300, 5590		PPコン	01
C642	US135100	C. CE. CHP	0. 1uF 16V	1300, 5590		チップセラコン	01
C643	US135100	C. CE. CHP	0. 1uF 16V	1300, 5590		チップセラコン	01
C644	US063100	C. CE. M. CHP	1000pF 50V	1300, 5590		チップセラコン	01
C645	US135100	C. CE. CHP	0. 1uF 16V	1300, 5590		チップセラコン	01
C646	US135100	C. CE. CHP	0. 1uF 16V	1300, 5590		チップセラコン	01
C647	US135100	C. CE. CHP	0. 1uF 16V	1300, 5590		チップセラコン	01
C648	US135100	C. CE. CHP	0. 1uF 16V	1300, 5590		チップセラコン	01
C649	US135100	C. CE. CHP	0. 1uF 16V	1300, 5590		チップセラコン	01
C650	US135100	C. CE. CHP	0. 1uF 16V	1300, 5590		チップセラコン	01
C651	US135100	C. CE. CHP	0. 1uF 16V	1300, 5590		チップセラコン	01
C652	US135100	C. CE. CHP	0. 1uF 16V	1300, 5590		チップセラコン	01
C653	US135100	C. CE. CHP	0. 1uF 16V	1300, 5590		チップセラコン	01
C654	US135100	C. CE. CHP	0. 1uF 16V	1300, 5590		チップセラコン	01
C655	US135100	C. CE. CHP	0. 1uF 16V	1300, 5590		チップセラコン	01
C656	US135100	C. CE. CHP	0. 1uF 16V	1300, 5590		チップセラコン	01
C657	US135100	C. CE. CHP	0. 1uF 16V	1300, 5590		チップセラコン	01
C658	US061470	C. CE. M. CHP	47pF 50V	1300, 5590		チップセラコン	01
C659	US061470	C. CE. M. CHP	47pF 50V	1300, 5590		チップセラコン	01
C660	US061470	C. CE. M. CHP	47pF 50V	1300, 5590		チップセラコン	01
C661	US135100	C. CE. CHP	0. 1uF 16V	1300, 5590		チップセラコン	01
* C662	V9607800	C. PP	47pF 100V	1300, 5590		PPコン	01
* C663	V9607800	C. PP	47pF 100V	1300, 5590		PPコン	01
C664	US135100	C. CE. CHP	0. 1uF 16V	1300, 5590		チップセラコン	01
C665	US135100	C. CE. CHP	0. 1uF 16V	1300, 5590		チップセラコン	01
C666	US135100	C. CE. CHP	0. 1uF 16V	1300, 5590	UCA	チップセラコン	01
* C667	V9607800	C. PP	47pF 100V	1300, 5590		PPコン	01
C668	US061470	C. CE. M. CHP	47pF 50V	1300, 5590		チップセラコン	01
C669	US135100	C. CE. CHP	0. 1uF 16V	1300, 5590		チップセラコン	01
C670	US135100	C. CE. CHP	0. 1uF 16V	1300, 5590		チップセラコン	01
C671	US135100	C. CE. CHP	0. 1uF 16V	1300, 5590	UCA	チップセラコン	01
C672	US135100	C. CE. CHP	0. 1uF 16V	1300, 5590		チップセラコン	01
C673	US135100	C. CE. CHP	0. 1uF 16V	1300, 5590		チップセラコン	01
C676	US135100	C. CE. CHP	0. 1uF 16V	1300, 5590	UCA	チップセラコン	01
C678	US135100	C. CE. CHP	0. 1uF 16V	1300, 5590	UCA	チップセラコン	01
C679	US135100	C. CE. CHP	0. 1uF 16V	1300, 5590		チップセラコン	01
C680	US135100	C. CE. CHP	0. 1uF 16V	1300, 5590	UCA	チップセラコン	01
C681	US135100	C. CE. CHP	0. 1uF 16V	1300, 5590	UCA	チップセラコン	01
C682	US135100	C. CE. CHP	0. 1uF 16V	1300, 5590	UCA	チップセラコン	01
C691	UR867470	C. EL	47uF 50V	1300, 5590		ケミコン	01
C692	UR848100	C. EL	100uF 25V	1300, 5590		ケミコン	01
C695	UR837470	C. EL	47uF 16V	1300, 5590		ケミコン	01
C696	UR837470	C. EL	47uF 16V	1300, 5590		ケミコン	01
C697	UT822100	C. PP	100pF 100V	1300, 5590		PPコン	01
* C698	UR337470	C. EL	47uF 16V	1300, 5590		ケミコン A S F	
* C699	UR337470	C. EL	47uF 16V	1300, 5590		ケミコン A S F	
* C700	UR337470	C. EL	47uF 16V	1300, 5590		ケミコン A S F	
* C701	UR337470	C. EL	47uF 16V	1300, 5590		ケミコン A S F	
C702	UR837470	C. EL	47uF 16V	1300, 5590		ケミコン	01
C703	UR837470	C. EL	47uF 16V	1300, 5590		ケミコン	01
C704	US135100	C. CE. CHP	0. 1uF 16V	1300, 5590		チップセラコン	01
D501	VU992600	DIODE. ZENR	MA8051-M 5. 1V	1300, 5590		ツェナーダイオード	01

\* New Parts \* 新規部品(マーク#の部品は、基板に含まれません)

P.C.B. FUNCTION

Schm Ref.	PART NO.	Description	Remarks	Markets	部 品 名	Rank	
D503	VT332900	DIODE	1SS355	1300, 5590		ダイオード	01
D504	VT332900	DIODE	1SS355	1300, 5590		ダイオード	01
D505	VT332900	DIODE	1SS355	1300, 5590		ダイオード	01
D509	VT332900	DIODE	1SS355	1300, 5590		ダイオード	01
D510	VV833200	DIODE	1SS380	1300, 5590		ダイオード	01
D511	VV833200	DIODE	1SS380	1300, 5590		ダイオード	01
D512	VT332900	DIODE	1SS355	1300, 5590		ダイオード	01
D513	VU992600	DIODE. ZENR	MA8051-M 5.1V	1300, 5590		ツェナーダイオード	01
D515	VU993000	DIODE. ZENR	MA8056-M 5.6V	1300, 5590		ツェナーダイオード	01
D531	VT332900	DIODE	1SS355	1300, 5590		ダイオード	01
D532	VT332900	DIODE	1SS355	1300, 5590		ダイオード	01
* IC501	X3505A00	IC	NJM2068MD-TE2	1300, 5590		アンプ I C S O P	
IC502	XP895A00	IC	LC78212	1300, 5590		I C	04
IC503	XP894A00	IC	LC78211	1300, 5590		I C	06
IC504	XP895A00	IC	LC78212	1300, 5590	UCA	I C	04
IC505	XP896A00	IC	LC78213	1300, 5590	UCA	I C	04
* IC507	X3505A00	IC	NJM2068MD-TE2	1300, 5590		アンプ I C S O P	
IC508	XF291A00	IC	uPC4570G2	1300, 5590	UCA	I C	03
IC509	XP894A00	IC	LC78211	1300, 5590		I C	06
IC510	XP896A00	IC	LC78213	1300, 5590		I C	04
* IC511	X3505A00	IC	NJM2068MD-TE2	1300, 5590		アンプ I C S O P	
IC512	X0671A00	IC	MX29F400BTC-70	1300, 5590		メモリ I C T S O P	
* IC513	X3505A00	IC	NJM2068MD-TE2	1300, 5590		アンプ I C S O P	
* IC514	X3505A00	IC	NJM2068MD-TE2	1300, 5590		アンプ I C S O P	
* IC515	X3505A00	IC	NJM2068MD-TE2	1300, 5590		アンプ I C S O P	
IC516	XZ545A00	IC	YAC520-EE2	1300, 5590		I C	04
IC517	XZ545A00	IC	YAC520-EE2	1300, 5590		I C	04
IC518	XZ545A00	IC	YAC520-EE2	1300, 5590		I C	04
IC519	XZ545A00	IC	YAC520-EE2	1300, 5590		I C	04
* IC520	X2965A00	IC. CPU	M30805SGP	1300, 5590		C P U / 周 辺 I C	09
IC521	X3505A00	IC	NJM2068MD-TE2	1300, 5590		アンプ I C S O P	
IC522	XA507A00	IC	AN78N05	1300, 5590		I C	02
* IC523	X3505A00	IC	NJM2068MD-TE2	1300, 5590		アンプ I C S O P	
* IC524	X3505A00	IC	NJM2068MD-TE2	1300, 5590		アンプ I C S O P	
* IC525	X3505A00	IC	NJM2068MD-TE2	1300, 5590		アンプ I C S O P	
L501	VY656400	COIL. CHP	120uH	1300, 5590		チップインダクタ	01
L502	VY656400	COIL. CHP	120uH	1300, 5590		チップインダクタ	01
L503	V4769500	FER. BEAD	RH03506BT-B-1B	1300, 5590		フェライトビーズ	
PJ501	V7046700	JACK. PIN	MSP-244V1-01NI	1300, 5590		ピンジャック 4 P	
PJ502	V7046700	JACK. PIN	MSP-244V1-01NI	1300, 5590		ピンジャック 4 P	
PJ503	V8041300	JACK. PIN	4P	1300, 5590		ピンジャック 4 P アース付	
* PJ504	V9394300	JACK. PIN	MSP-246V1-18NI	1300, 5590		ピンジャック 6 P	
PN501	V9637500	PIN	V963750 L=70 #18	1300, 5590		スタイルピン	
PN502	V9637500	PIN	V963750 L=70 #18	1300, 5590		スタイルピン	
PN503	V9637500	PIN	V963750 L=70 #18	1300, 5590		スタイルピン	
Q501	VD303700	TR	2SC3326 A, B	1300, 5590	UCA	トランジスタ	01
Q502	VD303700	TR	2SC3326 A, B	1300, 5590	UCA	トランジスタ	01
Q503	VD303700	TR	2SC3326 A, B	1300, 5590		トランジスタ	01
Q504	VD303700	TR	2SC3326 A, B	1300, 5590		トランジスタ	01
Q505	VD303700	TR	2SC3326 A, B	1300, 5590		トランジスタ	01
Q506	VD303700	TR	2SC3326 A, B	1300, 5590		トランジスタ	01
Q507	VV556500	TR	2SA1037K Q, R, S	1300, 5590	UCA	トランジスタ	01
Q508	VV556500	TR	2SA1037K Q, R, S	1300, 5590	UCA	トランジスタ	01

\* New Parts \* 新規部品(マーク#の部品は、基板に含まれません)

RX-V2300/DSP-AX2300  
RX-V1300/RX-V1300RDS/HTR-5590/DSP-AX1300



P.C.B. FUNCTION

Schm Ref.	PART NO.	Description	Remarks	Markets	部 品 名	Rank	
Q511	VV556500	TR	2SA1037K Q, R, S	1300, 5590		トランジスタ	01
Q512	VV655700	TR. DGT	DTC144EKA	1300, 5590		デジタルトランジスタ	01
Q513	VD303700	TR	2SC3326 A, B	1300, 5590		トランジスタ	01
Q514	VD303700	TR	2SC3326 A, B	1300, 5590		トランジスタ	01
Q515	VD303700	TR	2SC3326 A, B	1300, 5590		トランジスタ	01
Q516	VD303700	TR	2SC3326 A, B	1300, 5590		トランジスタ	01
Q517	VD303700	TR	2SC3326 A, B	1300, 5590		トランジスタ	01
Q518	VD303700	TR	2SC3326 A, B	1300, 5590		トランジスタ	01
Q519	VD303700	TR	2SC3326 A, B	1300, 5590		トランジスタ	01
Q520	VV556500	TR	2SA1037K Q, R, S	1300, 5590		トランジスタ	01
Q521	VV556500	TR	2SA1037K Q, R, S	1300, 5590		トランジスタ	01
Q522	VV556500	TR	2SA1037K Q, R, S	1300, 5590		トランジスタ	01
Q523	VV556500	TR	2SA1037K Q, R, S	1300, 5590		トランジスタ	01
Q524	VV556500	TR	2SA1037K Q, R, S	1300, 5590		トランジスタ	01
Q525	VV556500	TR	2SA1037K Q, R, S	1300, 5590		トランジスタ	01
Q526	VP872700	TR	2SC4488 S, T	1300, 5590		トランジスタ	01
Q527	VV556500	TR	2SA1037K Q, R, S	1300, 5590		トランジスタ	01
Q528	VV556500	TR	2SA1037K Q, R, S	1300, 5590		トランジスタ	01
Q529	VV556500	TR	2SA1037K Q, R, S	1300, 5590		トランジスタ	01
Q530	VV556500	TR	2SA1037K Q, R, S	1300, 5590		トランジスタ	01
Q531	VV556500	TR	2SA1037K Q, R, S	1300, 5590		トランジスタ	01
Q532	VV556500	TR	2SA1037K Q, R, S	1300, 5590		トランジスタ	01
Q533	VD303700	TR	2SC3326 A, B	1300, 5590		トランジスタ	01
Q534	VD303700	TR	2SC3326 A, B	1300, 5590		トランジスタ	01
Q537	VD303700	TR	2SC3326 A, B	1300, 5590		トランジスタ	01
Q538	VD303700	TR	2SC3326 A, B	1300, 5590		トランジスタ	01
Q539	VD303700	TR	2SC3326 A, B	1300, 5590		トランジスタ	01
Q540	VD303700	TR	2SC3326 A, B	1300, 5590		トランジスタ	01
Q541	VD303700	TR	2SC3326 A, B	1300, 5590		トランジスタ	01
Q542	VD303700	TR	2SC3326 A, B	1300, 5590		トランジスタ	01
Q543	VD303700	TR	2SC3326 A, B	1300, 5590		トランジスタ	01
Q544	VD303700	TR	2SC3326 A, B	1300, 5590		トランジスタ	01
Q545	VP872700	TR	2SC4488 S, T	1300, 5590		トランジスタ	01
Q546	VD303700	TR	2SC3326 A, B	1300, 5590	UCA	トランジスタ	01
Q547	VD303700	TR	2SC3326 A, B	1300, 5590	UCA	トランジスタ	01
R561	HV755100	R. CAR. FP	100Ω 1/4W	1300, 5590		不燃化カーボン抵抗	01
R562	HV755100	R. CAR. FP	100Ω 1/4W	1300, 5590		不燃化カーボン抵抗	01
R636	VP939700	R. MTL. FLM	4.7Ω 1W	1300, 5590		金属被膜抵抗	01
R637	VP939700	R. MTL. FLM	4.7Ω 1W	1300, 5590		金属被膜抵抗	01
R660	VP939700	R. MTL. FLM	4.7Ω 1W	1300, 5590		金属被膜抵抗	01
R664	VP939700	R. MTL. FLM	4.7Ω 1W	1300, 5590		金属被膜抵抗	01
R703	VP939700	R. MTL. FLM	4.7Ω 1W	1300, 5590		金属被膜抵抗	01
R704	VP939700	R. MTL. FLM	4.7Ω 1W	1300, 5590		金属被膜抵抗	01
R803	HV754100	R. CAR. FP	10Ω 1/4W	1300, 5590		不燃化カーボン抵抗	01
ST501	V4040500	SCR. TERM	M3	1300, 5590		スクリュー/ターミナル	01
ST502	V4040500	SCR. TERM	M3	1300, 5590		スクリュー/ターミナル	01
XL501	V4738900	RSNR. CE	12MHz	1300, 5590		セラミック振動子	01

\* New Parts \* 新規部品(マーク#の部品は、基板に含まれません)

**P.C.B. FUNCTION**

Schm Ref.	PART NO.	Description	Remarks	Markets	部 品 名	Rank	
	V9590500	P. C. B.	FUNCTION	2300	J	P C B ファンクション	
	V9590600	P. C. B.	FUNCTION	2300	UC	P C B ファンクション	
	V9590700	P. C. B.	FUNCTION	2300	RTK	P C B ファンクション	
	V9590800	P. C. B.	FUNCTION	2300	A	P C B ファンクション	
CB501	V7826000	CN	10P TE TUC SERIES	2300		コネクタープラグ	01
CB502	V7826100	CN	11P TE TUC SERIES	2300		コネクタープラグ	01
CB503	V7828300	SOCKET	16P TE TUC SERIES	2300		コネクタースOCKET	01
CB504	VM859600	CN. BS. PIN	15P	2300		F F Cコネクタ	01
CB505	VM973500	CN. BS. PIN	17P	2300		F F Cコネクタ	01
CB506	VM859700	CN. BS. PIN	16P	2300		F F Cコネクタ	01
CB507	VQ047400	CN. BS. PIN	19P	2300		F F Cコネクタ	01
CB508	V7828300	SOCKET	16P TE TUC SERIES	2300		コネクタースOCKET	01
CB509	VQ044900	CN. BS. PIN	19P	2300		F F Cコネクタ	01
CB510	VQ044700	CN. BS. PIN	16P	2300		F F Cコネクタ	01
CB511	VB858600	CN. BS. PIN	7P	2300		ベースピン	01
C501	UR837470	C. EL	47uF 16V	2300	UCA	ケミコン	01
C502	UR837470	C. EL	47uF 16V	2300	UCA	ケミコン	01
C503	UR866220	C. EL	2. 2uF 50V	2300		ケミコン	01
C504	UR837100	C. EL	10uF 16V	2300	UCA	ケミコン	01
C505	UR837100	C. EL	10uF 16V	2300	UCA	ケミコン	01
C506	UR828220	C. EL	220uF 10V	2300		ケミコン	01
C507	UR828220	C. EL	220uF 10V	2300		ケミコン	01
C508	UR866220	C. EL	2. 2uF 50V	2300		ケミコン	01
C509	UR866220	C. EL	2. 2uF 50V	2300		ケミコン	01
C512	UR837100	C. EL	10uF 16V	2300		ケミコン	01
C513	UR837100	C. EL	10uF 16V	2300		ケミコン	01
C514	UR837100	C. EL	10uF 16V	2300		ケミコン	01
C515	UR837470	C. EL	47uF 16V	2300		ケミコン	01
C516	UR837470	C. EL	47uF 16V	2300		ケミコン	01
C517	UR866330	C. EL	3. 3uF 50V	2300	UCA	ケミコン	01
C518	UR866330	C. EL	3. 3uF 50V	2300	UCA	ケミコン	01
C519	VG291200	C. EL	47uF 50V	2300		ケミコン	01
C520	VG291200	C. EL	47uF 50V	2300		ケミコン	01
C521	UR837100	C. EL	10uF 16V	2300		ケミコン	01
C522	UR837100	C. EL	10uF 16V	2300		ケミコン	01
C523	VG290800	C. EL	4. 7uF 63V	2300		ケミコン	01
C524	VG290800	C. EL	4. 7uF 63V	2300		ケミコン	01
C525	VG290800	C. EL	4. 7uF 63V	2300		ケミコン	01
C526	VG290800	C. EL	4. 7uF 63V	2300		ケミコン	01
C527	UR837100	C. EL	10uF 16V	2300		ケミコン	01
C528	UU137100	C. EL	10uF 16V	2300		ケミコン	01
C529	UU137100	C. EL	10uF 16V	2300		ケミコン	01
C530	UR837100	C. EL	10uF 16V	2300		ケミコン	01
C531	VG291200	C. EL	47uF 50V	2300		ケミコン	01
C532	VG291200	C. EL	47uF 50V	2300		ケミコン	01
C533	UR865220	C. EL	0. 22uF 50V	2300	UCA	ケミコン	01
C534	UR337100	C. EL	10uF 16V	2300		ケミコン A S F	
C535	UR337100	C. EL	10uF 16V	2300		ケミコン A S F	
C536	UR337100	C. EL	10uF 16V	2300		ケミコン A S F	
C537	UR837100	C. EL	10uF 16V	2300		ケミコン	01
C538	UR837100	C. EL	10uF 16V	2300		ケミコン	01
C539	UR837100	C. EL	10uF 16V	2300		ケミコン	01
C540	UR837100	C. EL	10uF 16V	2300		ケミコン	01

\* New Parts \* 新規部品(マーク#の部品は、基板に含まれません)

RX-V2300/DSP-AX2300  
RX-V1300/RX-V1300RDS/HTR-5590/DSP-AX1300

**P.C.B. FUNCTION**

Schm Ref.	PART NO.	Description	Remarks	Markets	部 品 名	Rank
C541	VG291200	C. EL	47uF 50V	2300	ケミコン	01
C542	VG291200	C. EL	47uF 50V	2300	ケミコン	01
C543	VG290700	C. EL	3.3uF 50V	2300	ケミコン	01
C544	VG290700	C. EL	3.3uF 50V	2300	ケミコン	01
* C545	UR337100	C. EL	10uF 16V	2300	ケミコン A S F	
C546	UR837100	C. EL	10uF 16V	2300	ケミコン	01
C547	UR837100	C. EL	10uF 16V	2300	ケミコン	01
C548	UR837100	C. EL	10uF 16V	2300	ケミコン	01
C549	UR837100	C. EL	10uF 16V	2300	ケミコン	01
C550	UR837100	C. EL	10uF 16V	2300	ケミコン	01
* C552	UR337100	C. EL	10uF 16V	2300	ケミコン A S F	
* C553	UR337100	C. EL	10uF 16V	2300	ケミコン A S F	
C554	VG290700	C. EL	3.3uF 50V	2300	ケミコン	01
C555	UR866330	C. EL	3.3uF 50V	2300	ケミコン	01
C556	UR866330	C. EL	3.3uF 50V	2300	ケミコン	01
C557	UR866330	C. EL	3.3uF 50V	2300	ケミコン	01
C558	UR866330	C. EL	3.3uF 50V	2300	ケミコン	01
C559	UR866330	C. EL	3.3uF 50V	2300	ケミコン	01
C563	UR865470	C. EL	0.47uF 50V	2300	ケミコン	01
C564	VG290900	C. EL	10uF 50V	2300	ケミコン	01
C565	VG290900	C. EL	10uF 50V	2300	ケミコン	01
C566	UR837100	C. EL	10uF 16V	2300	ケミコン	01
C567	UR837100	C. EL	10uF 16V	2300	ケミコン	01
C568	VG291200	C. EL	47uF 50V	2300	ケミコン	01
C569	UU137100	C. EL	10uF 16V	2300	ケミコン	01
C570	UU137100	C. EL	10uF 16V	2300	ケミコン	01
* C573	UR337100	C. EL	10uF 16V	2300	ケミコン A S F	
C574	UR837100	C. EL	10uF 16V	2300	ケミコン	01
C575	UR837100	C. EL	10uF 16V	2300	ケミコン	01
C576	UR839100	C. EL	1000uF 16V	2300	ケミコン	01
C577	UR837470	C. EL	47uF 16V	2300	ケミコン	01
C580	VT180400	C. EL	4700uF 5.5V	2300	バックアップケミコン	02
C581	UR837100	C. EL	10uF 16V	2300	ケミコン	01
C582	UR837100	C. EL	10uF 16V	2300	ケミコン	01
C583	UR837100	C. EL	10uF 16V	2300	ケミコン	01
C584	VG291200	C. EL	47uF 50V	2300	ケミコン	01
C585	VG291200	C. EL	47uF 50V	2300	ケミコン	01
C586	UR819100	C. EL	1000uF 6.3V	2300	ケミコン	01
C587	UR819100	C. EL	1000uF 6.3V	2300	ケミコン	01
* C588	UR337100	C. EL	10uF 16V	2300	ケミコン A S F	
* C589	UR337100	C. EL	10uF 16V	2300	ケミコン A S F	
* C590	UR337100	C. EL	10uF 16V	2300	ケミコン A S F	
C591	UR837100	C. EL	10uF 16V	2300	ケミコン	01
C592	VG291200	C. EL	47uF 50V	2300	ケミコン	01
C593	UR848100	C. EL	100uF 25V	2300	ケミコン	01
C594	VG291200	C. EL	47uF 50V	2300	ケミコン	01
C595	UR865220	C. EL	0.22uF 50V	2300	ケミコン	01
C596	UR865220	C. EL	0.22uF 50V	2300	ケミコン	01
C597	UR866220	C. EL	2.2uF 50V	2300	ケミコン	01
C598	UR866220	C. EL	2.2uF 50V	2300	ケミコン	01
C599	UR866220	C. EL	2.2uF 50V	2300	ケミコン	01
C600	UR866220	C. EL	2.2uF 50V	2300	ケミコン	01
C601	US135100	C. CE. CHP	0.1uF 16V	2300	チップセラコン	01

\* New Parts \* 新規部品(マーク#の部品は、基板に含まれません)

**P.C.B. FUNCTION**

Schm Ref.	PART NO.	Description	Remarks	Markets	部 品 名	Rank	
C602	US135100	C. CE. CHP	0. 1uF 16V	2300		チップセラコン	01
C603	UA652220	C. MYLAR	220pF 50V	2300	A	マイラーコン	01
C604	UA652220	C. MYLAR	220pF 50V	2300	A	マイラーコン	01
C605	UA652470	C. MYLAR	470pF 50V	2300		マイラーコン	01
C606	UA652470	C. MYLAR	470pF 50V	2300		マイラーコン	01
C607	UA652100	C. MYLAR	100pF 50V	2300		マイラーコン	01
C608	UA652100	C. MYLAR	100pF 50V	2300		マイラーコン	01
C609	UA652470	C. MYLAR	470pF 50V	2300		マイラーコン	01
C610	UA652470	C. MYLAR	470pF 50V	2300		マイラーコン	01
C611	UA652100	C. MYLAR	100pF 50V	2300		マイラーコン	01
C612	UA652100	C. MYLAR	100pF 50V	2300		マイラーコン	01
C613	VQ462600	C. MYLAR	220pF 50V	2300		マイラーコン	01
C614	VQ462600	C. MYLAR	220pF 50V	2300		マイラーコン	01
C615	UA652220	C. MYLAR	220pF 50V	2300		マイラーコン	01
C616	UA652220	C. MYLAR	220pF 50V	2300		マイラーコン	01
C617	UA652470	C. MYLAR	470pF 50V	2300		マイラーコン	01
C618	UA652470	C. MYLAR	470pF 50V	2300		マイラーコン	01
C619	UA652470	C. MYLAR	470pF 50V	2300		マイラーコン	01
C620	UA652470	C. MYLAR	470pF 50V	2300		マイラーコン	01
C621	UA652470	C. MYLAR	470pF 50V	2300		マイラーコン	01
C622	UA652470	C. MYLAR	470pF 50V	2300		マイラーコン	01
C623	UA654390	C. MYLAR	0. 039uF 50V	2300		マイラーコン	01
C624	UA654390	C. MYLAR	0. 039uF 50V	2300		マイラーコン	01
C625	US062100	C. CE. M. CHP	100pF 50V	2300		チップセラコン	01
C626	US062100	C. CE. M. CHP	100pF 50V	2300		チップセラコン	01
C627	UA654110	C. MYLAR	0. 011uF 50V	2300		マイラーコン	01
C628	UA654110	C. MYLAR	0. 011uF 50V	2300		マイラーコン	01
C629	UA653100	C. MYLAR	1000pF 50V	2300		マイラーコン	03
C630	UA653100	C. MYLAR	1000pF 50V	2300		マイラーコン	03
C631	VP917500	C. PP	100pF 100V	2300		PPコン	01
C632	VP917500	C. PP	100pF 100V	2300		PPコン	01
C633	US135100	C. CE. CHP	0. 1uF 16V	2300		チップセラコン	01
C635	Vi717200	C. MYLAR	0. 027uF 50V	2300		マイラーコン	01
C636	Vi717200	C. MYLAR	0. 027uF 50V	2300		マイラーコン	01
C637	Vi717200	C. MYLAR	0. 027uF 50V	2300		マイラーコン	01
C638	Vi717200	C. MYLAR	0. 027uF 50V	2300		マイラーコン	01
C639	US135100	C. CE. CHP	0. 1uF 16V	2300		チップセラコン	01
C640	UT822100	C. PP	100pF 100V	2300		PPコン	01
C641	UT822100	C. PP	100pF 100V	2300		PPコン	01
C642	US135100	C. CE. CHP	0. 1uF 16V	2300		チップセラコン	01
C643	US135100	C. CE. CHP	0. 1uF 16V	2300		チップセラコン	01
C644	US063100	C. CE. M. CHP	1000pF 50V	2300		チップセラコン	01
C645	US135100	C. CE. CHP	0. 1uF 16V	2300		チップセラコン	01
C646	US135100	C. CE. CHP	0. 1uF 16V	2300		チップセラコン	01
C647	US135100	C. CE. CHP	0. 1uF 16V	2300		チップセラコン	01
C648	US135100	C. CE. CHP	0. 1uF 16V	2300		チップセラコン	01
C649	US135100	C. CE. CHP	0. 1uF 16V	2300		チップセラコン	01
C650	US135100	C. CE. CHP	0. 1uF 16V	2300		チップセラコン	01
C651	US135100	C. CE. CHP	0. 1uF 16V	2300		チップセラコン	01
C652	US135100	C. CE. CHP	0. 1uF 16V	2300		チップセラコン	01
C653	US135100	C. CE. CHP	0. 1uF 16V	2300		チップセラコン	01
C654	US135100	C. CE. CHP	0. 1uF 16V	2300		チップセラコン	01
C655	US135100	C. CE. CHP	0. 1uF 16V	2300		チップセラコン	01

\* New Parts \* 新規部品(マーク#の部品は、基板に含まれません)

RX-V2300/DSP-AX2300  
RX-V1300/RX-V1300RDS/HTR-5590/DSP-AX1300

P.C.B. FUNCTION

Schm Ref.	PART NO.	Description	Remarks	Markets	部 品 名	Rank	
C656	US135100	C. CE. CHP	0. 1uF 16V	2300		チップセラコン	01
C657	US135100	C. CE. CHP	0. 1uF 16V	2300		チップセラコン	01
C658	US061470	C. CE. M. CHP	47pF 50V	2300		チップセラコン	01
C659	US061470	C. CE. M. CHP	47pF 50V	2300		チップセラコン	01
C660	US061470	C. CE. M. CHP	47pF 50V	2300		チップセラコン	01
C661	US135100	C. CE. CHP	0. 1uF 16V	2300		チップセラコン	01
* C662	V9607800	C. PP	47pF 100V	2300		PPコン	01
* C663	V9607800	C. PP	47pF 100V	2300		PPコン	01
C664	US135100	C. CE. CHP	0. 1uF 16V	2300		チップセラコン	01
C665	US135100	C. CE. CHP	0. 1uF 16V	2300		チップセラコン	01
C666	US135100	C. CE. CHP	0. 1uF 16V	2300	UCA	チップセラコン	01
* C667	V9607800	C. PP	47pF 100V	2300		PPコン	01
C668	US061470	C. CE. M. CHP	47pF 50V	2300		チップセラコン	01
C669	US135100	C. CE. CHP	0. 1uF 16V	2300		チップセラコン	01
C670	US135100	C. CE. CHP	0. 1uF 16V	2300		チップセラコン	01
C671	US135100	C. CE. CHP	0. 1uF 16V	2300	UCA	チップセラコン	01
C672	US135100	C. CE. CHP	0. 1uF 16V	2300		チップセラコン	01
C673	US135100	C. CE. CHP	0. 1uF 16V	2300		チップセラコン	01
C676	US135100	C. CE. CHP	0. 1uF 16V	2300	UCA	チップセラコン	01
C678	US135100	C. CE. CHP	0. 1uF 16V	2300	UCA	チップセラコン	01
C679	US135100	C. CE. CHP	0. 1uF 16V	2300		チップセラコン	01
C680	US135100	C. CE. CHP	0. 1uF 16V	2300	UCA	チップセラコン	01
C681	US135100	C. CE. CHP	0. 1uF 16V	2300	UCA	チップセラコン	01
C682	US135100	C. CE. CHP	0. 1uF 16V	2300	UCA	チップセラコン	01
C684	US061470	C. CE. M. CHP	47pF 50V	2300	UCA	チップセラコン	01
C685	US061470	C. CE. M. CHP	47pF 50V	2300	UCA	チップセラコン	01
C686	UR837100	C. EL	10uF 16V	2300	UCA	ケミコン	01
C687	UR837100	C. EL	10uF 16V	2300	UCA	ケミコン	01
C688	UR837470	C. EL	47uF 16V	2300	UCA	ケミコン	01
C689	UR837470	C. EL	47uF 16V	2300	UCA	ケミコン	01
C690	UR837100	C. EL	10uF 16V	2300	UCA	ケミコン	01
C691	UR867470	C. EL	47uF 50V	2300		ケミコン	01
C692	UR848100	C. EL	100uF 25V	2300		ケミコン	01
C693	US135100	C. CE. CHP	0. 1uF 16V	2300	UCA	チップセラコン	01
C694	US135100	C. CE. CHP	0. 1uF 16V	2300	UCA	チップセラコン	01
C695	UR837470	C. EL	47uF 16V	2300		ケミコン	01
C696	UR837470	C. EL	47uF 16V	2300		ケミコン	01
C697	UT822100	C. PP	100pF 100V	2300		PPコン	01
* C698	UR337470	C. EL	47uF 16V	2300		ケミコン A S F	
* C699	UR337470	C. EL	47uF 16V	2300		ケミコン A S F	
* C700	UR337470	C. EL	47uF 16V	2300		ケミコン A S F	
* C701	UR337470	C. EL	47uF 16V	2300		ケミコン A S F	
* C702	UR337470	C. EL	47uF 16V	2300		ケミコン A S F	
* C703	UR337470	C. EL	47uF 16V	2300		ケミコン A S F	
C704	US135100	C. CE. CHP	0. 1uF 16V	2300		チップセラコン	01
* C705	UR337100	C. EL	10uF 16V	2300		ケミコン A S F	
* C706	UR337100	C. EL	10uF 16V	2300		ケミコン A S F	
D501	VU992600	DIODE. ZENR	MA8051-M 5. 1V	2300		ツェナーダイオード	01
D503	VT332900	DIODE	1SS355	2300		ダイオード	01
D504	VT332900	DIODE	1SS355	2300		ダイオード	01
D505	VT332900	DIODE	1SS355	2300		ダイオード	01
D509	VT332900	DIODE	1SS355	2300		ダイオード	01
D510	VV833200	DIODE	1SS380	2300		ダイオード	01

\* New Parts \* 新規部品(マーク#の部品は、基板に含まれません)

RX-V1300/RX-V1300RDS/HTR-5590/DSP-AX1300  
RX-V2300/DSP-AX2300

P.C.B. FUNCTION

Schm Ref.	PART NO.	Description	Remarks	Markets	部 品 名	Rank	
D511	VV833200	DIODE	1SS380	2300		ダイオード	01
D512	VT332900	DIODE	1SS355	2300		ダイオード	01
D513	VU992600	DIODE. ZENR	MA8051-M 5.1V	2300		ツェナーダイオード	01
D515	VU993000	DIODE. ZENR	MA8056-M 5.6V	2300		ツェナーダイオード	01
D531	VT332900	DIODE	1SS355	2300		ダイオード	01
D532	VT332900	DIODE	1SS355	2300		ダイオード	01
* D533	VU994700	DIODE. ZENR	MA8082-H 8.5V	2300	UCA	ツェナーダイオード	
* D534	VU994700	DIODE. ZENR	MA8082-H 8.5V	2300	UCA	ツェナーダイオード	
D535	VU993000	DIODE. ZENR	MA8056-M 5.6V	2300	UCA	ツェナーダイオード	01
D536	VU993000	DIODE. ZENR	MA8056-M 5.6V	2300	UCA	ツェナーダイオード	01
D537	VU993000	DIODE. ZENR	MA8056-M 5.6V	2300	UCA	ツェナーダイオード	01
D538	VU993000	DIODE. ZENR	MA8056-M 5.6V	2300	UCA	ツェナーダイオード	01
IC501	XJ553A00	IC	NJM2068MD	2300		I C	02
IC502	XP895A00	IC	LC78212	2300		I C	04
IC503	XP894A00	IC	LC78211	2300		I C	06
IC504	XP895A00	IC	LC78212	2300		I C	04
IC505	XP896A00	IC	LC78213	2300		I C	04
IC507	XJ553A00	IC	NJM2068MD	2300		I C	02
IC508	XF291A00	IC	uPC4570G2	2300		I C	03
IC509	XP894A00	IC	LC78211	2300		I C	06
IC510	XP896A00	IC	LC78213	2300		I C	04
IC511	XJ553A00	IC	NJM2068MD	2300		I C	02
IC512	X0671A00	IC	MX29F400BTC-70	2300		メモリ I C T S O P	
IC513	XJ553A00	IC	NJM2068MD	2300		I C	02
IC514	XJ553A00	IC	NJM2068MD	2300		I C	02
IC515	XJ553A00	IC	NJM2068MD	2300		I C	02
IC516	XZ545A00	IC	YAC520-EE2	2300		I C	04
IC517	XZ545A00	IC	YAC520-EE2	2300		I C	04
IC518	XZ545A00	IC	YAC520-EE2	2300		I C	04
IC519	XZ545A00	IC	YAC520-EE2	2300		I C	04
* IC520	X2965A00	IC. CPU	M30805SGP	2300		C P U / 周辺 I C	09
IC521	XJ553A00	IC	NJM2068MD	2300		I C	02
IC522	XA507A00	IC	AN78N05	2300		I C	02
IC523	XJ553A00	IC	NJM2068MD	2300		I C	02
IC524	XJ553A00	IC	NJM2068MD	2300		I C	02
IC525	XJ553A00	IC	NJM2068MD	2300		I C	02
IC526	XZ545A00	IC	YAC520-EE2	2300	UCA	I C	04
IC527	XJ553A00	IC	NJM2068MD	2300	UCA	I C	02
* IC528	XD103A00	IC	TC4066BF-T1	2300	UCA	I C	01
L501	VY656400	COIL. CHP	120uH	2300		チップインダクタ	01
L502	VY656400	COIL. CHP	120uH	2300		チップインダクタ	01
L503	V4769500	FER. BEAD	RH03506BT-B-1B	2300		フェライトビーズ	
PJ501	V7046700	JACK. PIN	MSP-244V1-01NI	2300		ピンジャック 4 P	
PJ502	V7046700	JACK. PIN	MSP-244V1-01NI	2300		ピンジャック 4 P	
PJ503	V8041300	JACK. PIN	4P	2300		ピンジャック 4 P アース付	
* PJ504	V9394300	JACK. PIN	MSP-246V1-18NI	2300		ピンジャック 6 P	
* PN501	V9637500	PIN	V963750 L=70 #18	2300		スタイルピン	
* PN502	V9637500	PIN	V963750 L=70 #18	2300		スタイルピン	
* PN503	V9637500	PIN	V963750 L=70 #18	2300		スタイルピン	
* PN504	V9637500	PIN	V963750 L=70 #18	2300		スタイルピン	
Q501	VD303700	TR	2SC3326 A, B	2300	UCA	トランジスタ	01
Q502	VD303700	TR	2SC3326 A, B	2300	UCA	トランジスタ	01
Q503	VD303700	TR	2SC3326 A, B	2300		トランジスタ	01

\* New Parts \* 新規部品(マーク#の部品は、基板に含まれません)

RX-V2300/DSP-AX2300  
RX-V1300/RX-V1300RDS/HTR-5590/DSP-AX1300

P.C.B. FUNCTION

Schm Ref.	PART NO.	Description	Remarks	Markets	部 品 名	Rank	
Q504	VD303700	TR	2SC3326 A, B	2300		トランジスタ	01
Q505	VD303700	TR	2SC3326 A, B	2300		トランジスタ	01
Q506	VD303700	TR	2SC3326 A, B	2300		トランジスタ	01
Q507	VV556500	TR	2SA1037K Q, R, S	2300	UCA	トランジスタ	01
Q508	VV556500	TR	2SA1037K Q, R, S	2300	UCA	トランジスタ	01
Q511	VV556500	TR	2SA1037K Q, R, S	2300		トランジスタ	01
Q512	VV655700	TR. DGT	DTC144EKA	2300		デジタルトランジスタ	01
Q513	VD303700	TR	2SC3326 A, B	2300		トランジスタ	01
Q514	VD303700	TR	2SC3326 A, B	2300		トランジスタ	01
Q515	VD303700	TR	2SC3326 A, B	2300		トランジスタ	01
Q516	VD303700	TR	2SC3326 A, B	2300		トランジスタ	01
Q517	VD303700	TR	2SC3326 A, B	2300		トランジスタ	01
Q518	VD303700	TR	2SC3326 A, B	2300		トランジスタ	01
Q519	VD303700	TR	2SC3326 A, B	2300		トランジスタ	01
Q520	VV556500	TR	2SA1037K Q, R, S	2300		トランジスタ	01
Q521	VV556500	TR	2SA1037K Q, R, S	2300		トランジスタ	01
Q522	VV556500	TR	2SA1037K Q, R, S	2300		トランジスタ	01
Q523	VV556500	TR	2SA1037K Q, R, S	2300		トランジスタ	01
Q524	VV556500	TR	2SA1037K Q, R, S	2300		トランジスタ	01
Q525	VV556500	TR	2SA1037K Q, R, S	2300		トランジスタ	01
Q526	VP872700	TR	2SC4488 S, T	2300		トランジスタ	01
Q527	VV556500	TR	2SA1037K Q, R, S	2300		トランジスタ	01
Q528	VV556500	TR	2SA1037K Q, R, S	2300		トランジスタ	01
Q529	VV556500	TR	2SA1037K Q, R, S	2300		トランジスタ	01
Q530	VV556500	TR	2SA1037K Q, R, S	2300		トランジスタ	01
Q531	VV556500	TR	2SA1037K Q, R, S	2300		トランジスタ	01
Q532	VV556500	TR	2SA1037K Q, R, S	2300		トランジスタ	01
Q533	VD303700	TR	2SC3326 A, B	2300		トランジスタ	01
Q534	VD303700	TR	2SC3326 A, B	2300		トランジスタ	01
Q535	VV655700	TR. DGT	DTC144EKA	2300	UCA	デジタルトランジスタ	01
Q536	VV655700	TR. DGT	DTC144EKA	2300	UCA	デジタルトランジスタ	01
Q537	VD303700	TR	2SC3326 A, B	2300		トランジスタ	01
Q538	VD303700	TR	2SC3326 A, B	2300		トランジスタ	01
Q539	VD303700	TR	2SC3326 A, B	2300		トランジスタ	01
Q540	VD303700	TR	2SC3326 A, B	2300		トランジスタ	01
Q541	VD303700	TR	2SC3326 A, B	2300		トランジスタ	01
Q542	VD303700	TR	2SC3326 A, B	2300		トランジスタ	01
Q543	VD303700	TR	2SC3326 A, B	2300		トランジスタ	01
Q544	VD303700	TR	2SC3326 A, B	2300		トランジスタ	01
Q545	VP872700	TR	2SC4488 S, T	2300		トランジスタ	01
Q546	VD303700	TR	2SC3326 A, B	2300	UCA	トランジスタ	01
Q547	VD303700	TR	2SC3326 A, B	2300	UCA	トランジスタ	01
Q548	VV655300	TR. DGT	DTA144EKA	2300	UCA	デジタルトランジスタ	01
R561	HV755100	R. CAR. FP	100Ω 1/4W	2300		不燃化カーボン抵抗	01
R562	HV755100	R. CAR. FP	100Ω 1/4W	2300		不燃化カーボン抵抗	01
R636	VP939700	R. MTL. FLM	4.7Ω 1W	2300		金属被膜抵抗	01
R637	VP939700	R. MTL. FLM	4.7Ω 1W	2300		金属被膜抵抗	01
R660	VP939700	R. MTL. FLM	4.7Ω 1W	2300		金属被膜抵抗	01
R664	VP939700	R. MTL. FLM	4.7Ω 1W	2300		金属被膜抵抗	01
R703	VP939700	R. MTL. FLM	4.7Ω 1W	2300		金属被膜抵抗	01
R704	VP939700	R. MTL. FLM	4.7Ω 1W	2300		金属被膜抵抗	01
R803	HV754100	R. CAR. FP	10Ω 1/4W	2300		不燃化カーボン抵抗	01
ST501	V4040500	SCR. TERM	M3	2300		スクリュー/ターミナル	01

\* New Parts \* 新規部品(マーク#の部品は、基板に含まれません)

**P.C.B. FUNCTION & P.C.B. OPERATION**

Schm Ref.	PART NO.	Description	Remarks	Markets	部 品 名	Rank	
ST502	V4040500	SCR. TERM	M3	2300		スクリュー/ターミナル	01
XL501	V4738900	RSNR. CE	12MHz	2300		セラミック振動子	01
	VU590000	BIND. TIE	CBTD001B	2300		インシュロックタイ	01
	V9595000	P. C. B.	OPERATION	1300, 5590	JRTK	P C B集成オペレーション	
	V9595100	P. C. B.	OPERATION	1300, 5590	UCA	P C B集成オペレーション	
	V9595200	P. C. B.	OPERATION	1300, 5590	BG	P C B集成オペレーション	
CB801	VM973500	CN. BS. PIN	17P	1300, 5590		F F Cコネクタ	01
CB901	VQ044900	CN. BS. PIN	19P	1300, 5590		F F Cコネクタ	01
CB961	VM923600	CN. BS. PIN	13P	1300, 5590		F F Cコネクタ	01
CB963	VQ044400	CN. BS. PIN	9P	1300, 5590		F F Cコネクタ	01
CB981	VB389900	CN. BS. PIN	3P	1300, 5590		ベースピン	01
CB982	VB390000	CN. BS. PIN	4P	1300, 5590		ベースピン	01
CB983	VQ047100	CN. BS. PIN	7P	1300, 5590		F F Cコネクタ	01
C801	VG291200	C. EL	47uF 50V	1300, 5590		ケミコン	01
C802	VG291200	C. EL	47uF 50V	1300, 5590		ケミコン	01
C803	VG291200	C. EL	47uF 50V	1300, 5590		ケミコン	01
C804	VG291200	C. EL	47uF 50V	1300, 5590		ケミコン	01
C805	UR865100	C. EL	0. 1uF 50V	1300, 5590		ケミコン	01
C806	UR865100	C. EL	0. 1uF 50V	1300, 5590		ケミコン	01
C807	UR866100	C. EL	1uF 50V	1300, 5590		ケミコン	01
C808	UR866100	C. EL	1uF 50V	1300, 5590		ケミコン	01
C809	UR865100	C. EL	0. 1uF 50V	1300, 5590		ケミコン	01
C810	UR865100	C. EL	0. 1uF 50V	1300, 5590		ケミコン	01
C811	UR866220	C. EL	2. 2uF 50V	1300, 5590		ケミコン	01
C812	UR866220	C. EL	2. 2uF 50V	1300, 5590		ケミコン	01
C813	UA652100	C. MYLAR	100pF 50V	1300, 5590		マイラーコン	01
C814	UA652100	C. MYLAR	100pF 50V	1300, 5590		マイラーコン	01
C815	UR837470	C. EL	47uF 16V	1300, 5590		ケミコン	01
C816	UR837470	C. EL	47uF 16V	1300, 5590		ケミコン	01
C817	VE326100	C. MYLAR. ML	0. 12uF 50V	1300, 5590		積層マイラーコン	01
C818	VE326100	C. MYLAR. ML	0. 12uF 50V	1300, 5590		積層マイラーコン	01
C819	VE326100	C. MYLAR. ML	0. 12uF 50V	1300, 5590		積層マイラーコン	01
C820	VE326100	C. MYLAR. ML	0. 12uF 50V	1300, 5590		積層マイラーコン	01
C821	UR847100	C. EL	10uF 25V	1300, 5590		ケミコン	01
C822	UR847100	C. EL	10uF 25V	1300, 5590		ケミコン	01
C823	UA654330	C. MYLAR	0. 033uF 50V	1300, 5590		マイラーコン	01
C824	UA654330	C. MYLAR	0. 033uF 50V	1300, 5590		マイラーコン	01
C825	UR847100	C. EL	10uF 25V	1300, 5590		ケミコン	01
C826	UR847100	C. EL	10uF 25V	1300, 5590		ケミコン	01
C827	UU137100	C. EL	10uF 16V	1300, 5590		ケミコン	01
C828	UU137100	C. EL	10uF 16V	1300, 5590		ケミコン	01
C829	UA652100	C. MYLAR	100pF 50V	1300, 5590		マイラーコン	01
C830	UA652100	C. MYLAR	100pF 50V	1300, 5590		マイラーコン	01
C831	UA652100	C. MYLAR	100pF 50V	1300, 5590		マイラーコン	01
C832	UA652100	C. MYLAR	100pF 50V	1300, 5590		マイラーコン	01
C833	VG290900	C. EL	10uF 50V	1300, 5590		ケミコン	01
C834	VG290900	C. EL	10uF 50V	1300, 5590		ケミコン	01
C835	US061100	C. CE. M. CHP	10pF 50V	1300, 5590		チップセラコン	01
C836	US061100	C. CE. M. CHP	10pF 50V	1300, 5590		チップセラコン	01
C837	UU139100	C. EL	1000uF 16V	1300, 5590		ケミコン	01

\* New Parts \* 新規部品(マーク#の部品は、基板に含まれません)

RX-V2300/DSP-AX2300  
RX-V1300/RX-V1300RDS/HTR-5590/DSP-AX1300



P.C.B. OPERATION

Schm Ref.	PART NO.	Description	Remarks	Markets	部 品 名	Rank	
C838	UU139100	C. EL	1000uF 16V	1300, 5590		ケミコン	01
C839	US063220	C. CE. M. CHP	2200pF 50V	1300, 5590		チップセラコン	01
C840	US063220	C. CE. M. CHP	2200pF 50V	1300, 5590		チップセラコン	01
C901	US064100	C. CE. CHP	0. 01uF 50V	1300, 5590		チップセラコン	01
C902	US135100	C. CE. CHP	0. 1uF 16V	1300, 5590		チップセラコン	01
C903	US135100	C. CE. CHP	0. 1uF 16V	1300, 5590		チップセラコン	01
C904	US135100	C. CE. CHP	0. 1uF 16V	1300, 5590		チップセラコン	01
C905	UR818100	C. EL	100uF 6. 3V	1300, 5590		ケミコン	01
C906	US135100	C. CE. CHP	0. 1uF 16V	1300, 5590		チップセラコン	01
C907	US135100	C. CE. CHP	0. 1uF 16V	1300, 5590		チップセラコン	01
C908	UR818330	C. EL	330uF 6. 3V	1300, 5590		ケミコン	01
C909	US135100	C. CE. CHP	0. 1uF 16V	1300, 5590		チップセラコン	01
C910	US062100	C. CE. M. CHP	100pF 50V	1300, 5590		チップセラコン	01
C911	US063100	C. CE. M. CHP	1000pF 50V	1300, 5590		チップセラコン	01
C912	US063100	C. CE. M. CHP	1000pF 50V	1300, 5590		チップセラコン	01
C913	US135100	C. CE. CHP	0. 1uF 16V	1300, 5590		チップセラコン	01
C914	US135100	C. CE. CHP	0. 1uF 16V	1300, 5590		チップセラコン	01
C915	US135100	C. CE. CHP	0. 1uF 16V	1300, 5590		チップセラコン	01
C916	US063100	C. CE. M. CHP	1000pF 50V	1300, 5590		チップセラコン	01
C917	US063100	C. CE. M. CHP	1000pF 50V	1300, 5590		チップセラコン	01
C961	US064100	C. CE. M. CHP	0. 01uF 50V	1300, 5590	UCA	チップセラコン	01
C962	US064100	C. CE. M. CHP	0. 01uF 50V	1300, 5590	UCA	チップセラコン	01
C963	US135100	C. CE. CHP	0. 1uF 16V	1300, 5590		チップセラコン	01
C970	US063100	C. CE. M. CHP	1000pF 50V	1300, 5590	UCA	チップセラコン	01
C971	US063100	C. CE. M. CHP	1000pF 50V	1300, 5590	UCA	チップセラコン	01
C981	US135100	C. CE. CHP	0. 1uF 16V	1300, 5590		チップセラコン	01
C982	US135100	C. CE. CHP	0. 1uF 16V	1300, 5590		チップセラコン	01
C983	UA653100	C. MYLAR	1000pF 50V	1300, 5590		マイラーコン	03
C984	US064100	C. CE. M. CHP	0. 01uF 50V	1300, 5590		チップセラコン	01
C985	UA653100	C. MYLAR	1000pF 50V	1300, 5590		マイラーコン	03
C986	US135100	C. CE. CHP	0. 1uF 16V	1300, 5590		チップセラコン	01
C987	UR837470	C. EL	47uF 16V	1300, 5590		ケミコン	01
C988	US062470	C. CE. M. CHP	470pF 50V	1300, 5590		チップセラコン	01
C989	US062470	C. CE. M. CHP	470pF 50V	1300, 5590		チップセラコン	01
C990	US063100	C. CE. M. CHP	1000pF 50V	1300, 5590		チップセラコン	01
C991	US135100	C. CE. CHP	0. 1uF 16V	1300, 5590		チップセラコン	01
C992	US135100	C. CE. CHP	0. 1uF 16V	1300, 5590		チップセラコン	01
C993	US135100	C. CE. CHP	0. 1uF 16V	1300, 5590		チップセラコン	01
C994	US135100	C. CE. CHP	0. 1uF 16V	1300, 5590		チップセラコン	01
* D801	VU994700	DIODE. ZENR	MA8082-H 8. 5V	1300, 5590		ツェナーダイオード	
* D802	VU994700	DIODE. ZENR	MA8082-H 8. 5V	1300, 5590		ツェナーダイオード	
D803	VV307700	DIODE	1N4002S	1300, 5590		ダイオード	01
D804	VV307700	DIODE	1N4002S	1300, 5590		ダイオード	01
* D901	VU993900	DIODE. ZENR	MA8068-H 7. 0V	1300, 5590		ツェナーダイオード	
D902	V2598200	LED	SIR-505ST	1300, 5590	UCA	L E D	
D961	VT332900	DIODE	1SS355	1300, 5590	UCA	ダイオード	01
D962	VT332900	DIODE	1SS355	1300, 5590	UCA	ダイオード	01
D963	VT332900	DIODE	1SS355	1300, 5590	UCA	ダイオード	01
G901	VR463400	TERM. GND	D3. 5	1300, 5590		アース端子	01
IC801	iG001270	IC	TC4066BP	1300, 5590		I C	05
* IC802	X3505A00	IC	NJM2068MD-TE2	1300, 5590		アンプ I C S O P	
* IC803	X3505A00	IC	NJM2068MD-TE2	1300, 5590		アンプ I C S O P	
IC804	XP844A00	IC	NJM4556AL	1300, 5590		I C	02

\* New Parts \* 新規部品(マーク#の部品は、基板に含まれません)

P.C.B. OPERATION

Schm Ref.	PART NO.	Description	Remarks	Markets	部 品 名	Rank	
* * * * *	IC901	X2874A00 IC	M66003-0101FP FLD	1300, 5590		アンプ I C	
	JK961	V9435700 JACK. MNI	MSJ-035-12APC	1300, 5590	UCA	モノラル ミニジャック	
	JK962	V9435700 JACK. MNI	MSJ-035-12APC	1300, 5590	UCA	モノラル ミニジャック	
	JK963	V9435700 JACK. MNI	MSJ-035-12APC	1300, 5590	UCA	モノラル ミニジャック	
	JK981	V9408200 JACK. PHONE	MSJ-064-05B GR	1300, 5590		ホーンジャック	
	JK982	V2589500 CN	1P	1300, 5590		ミニD I Nコネクタ	02
	L981	V2726500 COIL	68uH	1300, 5590		コイル	01
	PJ981	V6222800 JACK. PIN	3P	1300, 5590		ピンジャック 3 P	04
	PN901	V3750200 PIN	L=70	1300, 5590		スタイルピン	
	Q801	VV655700 TR. DGT	DTC144EKA	1300, 5590		デジタルトランジスタ	01
	Q802	VV655300 TR. DGT	DTA144EKA	1300, 5590		デジタルトランジスタ	01
	Q803	VD303700 TR	2SC3326 A, B	1300, 5590		トランジスタ	01
	Q804	VD303700 TR	2SC3326 A, B	1300, 5590		トランジスタ	01
	Q901	VV556400 TR	2SC2412K Q, R, S	1300, 5590		トランジスタ	01
	Q902	VV556400 TR	2SC2412K Q, R, S	1300, 5590		トランジスタ	01
	Q904	VV556400 TR	2SC2412K Q, R, S	1300, 5590		トランジスタ	01
	Q905	VV556400 TR	2SC2412K Q, R, S	1300, 5590		トランジスタ	01
	Q906	VV556400 TR	2SC2412K Q, R, S	1300, 5590		トランジスタ	01
	Q907	VV556400 TR	2SC2412K Q, R, S	1300, 5590		トランジスタ	01
	Q909	VV556400 TR	2SC2412K Q, R, S	1300, 5590		トランジスタ	01
	Q910	VD303700 TR	2SC3326 A, B	1300, 5590		トランジスタ	01
	Q911	VD303700 TR	2SC3326 A, B	1300, 5590		トランジスタ	01
	Q961	VP872600 TR	2SA1708 S, T	1300, 5590	UCA	トランジスタ	01
	Q962	VV655700 TR. DGT	DTC144EKA	1300, 5590	UCA	デジタルトランジスタ	01
	Q981	VV556400 TR	2SC2412K Q, R, S	1300, 5590		トランジスタ	01
	Q982	VV556500 TR	2SA1037K Q, R, S	1300, 5590		トランジスタ	01
	R804	VP940200 R. MTL. OXD	47Ω 1W	1300, 5590		酸化金属被膜抵抗	01
	R807	VP940200 R. MTL. OXD	47Ω 1W	1300, 5590		酸化金属被膜抵抗	01
	R835	VP940600 R. MTL. OXD	220Ω 1W	1300, 5590		酸化金属被膜抵抗	01
	R836	VP940600 R. MTL. OXD	220Ω 1W	1300, 5590		酸化金属被膜抵抗	01
	R901	HV755100 R. CAR. FP	100Ω 1/4W	1300, 5590		不燃化カーボン抵抗	01
	R902	HV755100 R. CAR. FP	100Ω 1/4W	1300, 5590		不燃化カーボン抵抗	01
	ST961	V4040500 SCR. TERM	M3	1300, 5590		スクリュー/ターミナル	01
	ST962	V4040500 SCR. TERM	M3	1300, 5590		スクリュー/ターミナル	01
	ST981	V4040500 SCR. TERM	M3	1300, 5590		スクリュー/ターミナル	01
	ST982	V4040500 SCR. TERM	M3	1300, 5590		スクリュー/ターミナル	01
	ST983	V4040500 SCR. TERM	M3	1300, 5590		スクリュー/ターミナル	01
	SW901	V4757100 SW. TACT	EVQ11A	1300, 5590		タクトSW	01
	SW902	V4757100 SW. TACT	EVQ11A	1300, 5590		タクトSW	01
	SW903	V4757100 SW. TACT	EVQ11A	1300, 5590		タクトSW	01
	SW904	V4757100 SW. TACT	EVQ11A	1300, 5590		タクトSW	01
	SW905	V4757100 SW. TACT	EVQ11A	1300, 5590		タクトSW	01
	SW906	V4757100 SW. TACT	EVQ11A	1300, 5590		タクトSW	01
	SW907	V4757100 SW. TACT	EVQ11A	1300, 5590		タクトSW	01
	SW908	V4757100 SW. TACT	EVQ11A	1300, 5590		タクトSW	01
	SW909	V4757100 SW. TACT	EVQ11A	1300, 5590		タクトSW	01
	SW910	V4757100 SW. TACT	EVQ11A	1300, 5590		タクトSW	01
	SW911	V4757100 SW. TACT	EVQ11A	1300, 5590		タクトSW	01
	SW912	V4757100 SW. TACT	EVQ11A	1300, 5590		タクトSW	01
	SW913	V4757100 SW. TACT	EVQ11A	1300, 5590		タクトSW	01
	SW914	V4757100 SW. TACT	EVQ11A	1300, 5590		タクトSW	01
	SW915	V4757100 SW. TACT	EVQ11A	1300, 5590		タクトSW	01
	SW916	V4757100 SW. TACT	EVQ11A	1300, 5590		タクトSW	01

\* New Parts \* 新規部品(マーク#の部品は、基板に含まれません)

RX-V2300/DSP-AX2300  
RX-V1300/RX-V1300RDS/HTR-5590/DSP-AX1300

P.C.B. OPERATION

Schm Ref.	PART NO.	Description	Remarks	Markets	部 品 名	Rank	
* SW917	V4757100	SW. TACT	EVQ11A	1300, 5590		タクト SW	01
SW918	V9266400	SW. RT. ENC	XREB12105PVB25F	1300, 5590		ロータリーエンコーダ	
SW919	V4757100	SW. TACT	EVQ11A	1300, 5590	BG	タクト SW	01
SW920	V4757100	SW. TACT	EVQ11A	1300, 5590	BG	タクト SW	01
SW921	V4757100	SW. TACT	EVQ11A	1300, 5590	BG	タクト SW	01
SW922	V4757100	SW. TACT	EVQ11A	1300, 5590	BG	タクト SW	01
SW923	V9281300	SW. RT. ENC	EVEKD2F3024B	1300, 5590		ロータリーエンコーダ	
* U901	V9240900	L. DTCT	GP1UM281XK	1300, 5590		リモコン受光ユニット	
U981	V7680700	CN. PHOT. SN	1P GP1FA512RZ	1300, 5590		光ファイバ受信器	04
* V901	V9388700	FL. DSPLY	16-BT-104GK	1300, 5590		FL 表示管	
VR801	VP741800	VR	B20KΩ	1300, 5590		二連ロータリーVR	02
VR802	VP741900	VR	G25KΩ	1300, 5590		二連ロータリーVR	02
	V6007100	SPACER. FL	4.6/10/32	1300, 5590		スペーサ FL	
	V6007000	SHEET		1300, 5590		シート/FL	03
* * *	V9595300	P. C. B.	OPERATION	2300	J	PCB集成オペレーション	
	V9595400	P. C. B.	OPERATION	2300	UCA	PCB集成オペレーション	
	V9595500	P. C. B.	OPERATION	2300	RTK	PCB集成オペレーション	
CB801	VM973500	CN. BS. PIN	17P	2300		FFCコネクタ	01
CB803	Vi878100	CN. BS. PIN	3P	2300		ケーブルホルダー	01
CB851	Vi878100	CN. BS. PIN	3P	2300		ケーブルホルダー	01
CB901	VQ044900	CN. BS. PIN	19P	2300		FFCコネクタ	01
CB961	VM923600	CN. BS. PIN	13P	2300		FFCコネクタ	01
CB962	V6509500	SOCKET	9P SE 3170	2300	UCARTK	コネクタソケット	04
CB962	V6509500	SOCKET	9P SE 3170	2300		コネクタソケット	04
CB963	VQ044400	CN. BS. PIN	9P	2300	J	FFCコネクタ	01
CB981	VB389900	CN. BS. PIN	3P	2300		ベースピン	01
CB982	VB390000	CN. BS. PIN	4P	2300		ベースピン	01
CB983	VQ047100	CN. BS. PIN	7P	2300		FFCコネクタ	01
C801	VG291200	C. EL	47uF 50V	2300		ケミコン	01
C802	VG291200	C. EL	47uF 50V	2300		ケミコン	01
C803	VG291200	C. EL	47uF 50V	2300		ケミコン	01
C804	VG291200	C. EL	47uF 50V	2300		ケミコン	01
C805	UR865100	C. EL	0.1uF 50V	2300		ケミコン	01
C806	UR865100	C. EL	0.1uF 50V	2300		ケミコン	01
C807	UR866100	C. EL	1uF 50V	2300		ケミコン	01
C808	UR866100	C. EL	1uF 50V	2300		ケミコン	01
C809	UR865100	C. EL	0.1uF 50V	2300		ケミコン	01
C810	UR865100	C. EL	0.1uF 50V	2300		ケミコン	01
C811	UR866220	C. EL	2.2uF 50V	2300		ケミコン	01
C812	UR866220	C. EL	2.2uF 50V	2300		ケミコン	01
C813	UA652100	C. MYLAR	100pF 50V	2300		マイラーコン	01
C814	UA652100	C. MYLAR	100pF 50V	2300		マイラーコン	01
C815	UR837470	C. EL	47uF 16V	2300		ケミコン	01
C816	UR837470	C. EL	47uF 16V	2300		ケミコン	01
C817	VE326100	C. MYLAR. ML	0.12uF 50V	2300		積層マイラーコン	01
C818	VE326100	C. MYLAR. ML	0.12uF 50V	2300		積層マイラーコン	01
C819	VE326100	C. MYLAR. ML	0.12uF 50V	2300		積層マイラーコン	01
C820	VE326100	C. MYLAR. ML	0.12uF 50V	2300		積層マイラーコン	01
C821	UR847100	C. EL	10uF 25V	2300		ケミコン	01
C822	UR847100	C. EL	10uF 25V	2300		ケミコン	01

\* New Parts \* 新規部品(マーク#の部品は、基板に含まれません)

P.C.B. OPERATION

Schm Ref.	PART NO.	Description	Remarks	Markets	部 品 名	Rank	
C823	UA654330	C. MYLAR	0.033uF 50V	2300		マイラーコン	01
C824	UA654330	C. MYLAR	0.033uF 50V	2300		マイラーコン	01
C825	UR847100	C. EL	10uF 25V	2300		ケミコン	01
C826	UR847100	C. EL	10uF 25V	2300		ケミコン	01
C827	UU137100	C. EL	10uF 16V	2300		ケミコン	01
C828	UU137100	C. EL	10uF 16V	2300		ケミコン	01
C829	UA652100	C. MYLAR	100pF 50V	2300		マイラーコン	01
C830	UA652100	C. MYLAR	100pF 50V	2300		マイラーコン	01
C831	UA652100	C. MYLAR	100pF 50V	2300		マイラーコン	01
C832	UA652100	C. MYLAR	100pF 50V	2300		マイラーコン	01
C833	VG290900	C. EL	10uF 50V	2300		ケミコン	01
C834	VG290900	C. EL	10uF 50V	2300		ケミコン	01
C835	US061100	C. CE. M. CHP	10pF 50V	2300		チップセラコン	01
C836	US061100	C. CE. M. CHP	10pF 50V	2300		チップセラコン	01
C837	UU139100	C. EL	1000uF 16V	2300		ケミコン	01
C838	UU139100	C. EL	1000uF 16V	2300		ケミコン	01
C839	UA353220	C. MYLAR	2200pF 50V	2300		マイラーコン	01
C840	UA353220	C. MYLAR	2200pF 50V	2300		マイラーコン	01
C901	US064100	C. CE. CHP	0.01uF 50V	2300		チップセラコン	01
C902	US135100	C. CE. CHP	0.1uF 16V	2300		チップセラコン	01
C903	US135100	C. CE. CHP	0.1uF 16V	2300		チップセラコン	01
C904	US135100	C. CE. CHP	0.1uF 16V	2300		チップセラコン	01
C905	UR818100	C. EL	100uF 6.3V	2300		ケミコン	01
C906	US135100	C. CE. CHP	0.1uF 16V	2300		チップセラコン	01
C907	US135100	C. CE. CHP	0.1uF 16V	2300		チップセラコン	01
C908	UR818330	C. EL	330uF 6.3V	2300		ケミコン	01
C909	US135100	C. CE. CHP	0.1uF 16V	2300		チップセラコン	01
C910	US062100	C. CE. M. CHP	100pF 50V	2300		チップセラコン	01
C911	US063100	C. CE. M. CHP	1000pF 50V	2300		チップセラコン	01
C912	US063100	C. CE. M. CHP	1000pF 50V	2300		チップセラコン	01
C913	US135100	C. CE. CHP	0.1uF 16V	2300		チップセラコン	01
C914	US135100	C. CE. CHP	0.1uF 16V	2300		チップセラコン	01
C915	US135100	C. CE. CHP	0.1uF 16V	2300		チップセラコン	01
C916	US063100	C. CE. M. CHP	1000pF 50V	2300		チップセラコン	01
C917	US063100	C. CE. M. CHP	1000pF 50V	2300		チップセラコン	01
C961	US064100	C. CE. M. CHP	0.01uF 50V	2300	UCARTK	チップセラコン	01
C962	US064100	C. CE. M. CHP	0.01uF 50V	2300	UCARTK	チップセラコン	01
C963	US135100	C. CE. CHP	0.1uF 16V	2300		チップセラコン	01
C964	UR837470	C. EL	47uF 16V	2300	UCARTK	ケミコン	01
C965	US135100	C. CE. CHP	0.1uF 16V	2300	UCARTK	チップセラコン	01
C966	US135100	C. CE. CHP	0.1uF 16V	2300	UCARTK	チップセラコン	01
C967	US135100	C. CE. CHP	0.1uF 16V	2300	UCARTK	チップセラコン	01
C968	US135100	C. CE. CHP	0.1uF 16V	2300	UCARTK	チップセラコン	01
C969	US135100	C. CE. CHP	0.1uF 16V	2300	UCARTK	チップセラコン	01
C970	US063100	C. CE. M. CHP	1000pF 50V	2300	UCARTK	チップセラコン	01
C971	US063100	C. CE. M. CHP	1000pF 50V	2300	UCARTK	チップセラコン	01
C981	US135100	C. CE. CHP	0.1uF 16V	2300		チップセラコン	01
C982	US135100	C. CE. CHP	0.1uF 16V	2300		チップセラコン	01
C983	UA653100	C. MYLAR	1000pF 50V	2300		マイラーコン	03
C984	US064100	C. CE. M. CHP	0.01uF 50V	2300		チップセラコン	01
C985	UA653100	C. MYLAR	1000pF 50V	2300		マイラーコン	03
C986	US135100	C. CE. CHP	0.1uF 16V	2300		チップセラコン	01
C987	UR837470	C. EL	47uF 16V	2300		ケミコン	01

\* New Parts \* 新規部品(マーク#の部品は、基板に含まれません)

RX-V2300/DSP-AX2300  
RX-V1300/RX-V1300RDS/HTR-5590/DSP-AX1300

P.C.B. OPERATION

Schm Ref.	PART NO.	Description	Remarks	Markets	部 品 名	Rank	
C988	US062470	C. CE. M. CHP	470pF 50V	2300		チップセラコン	01
C989	US062470	C. CE. M. CHP	470pF 50V	2300		チップセラコン	01
C990	US063100	C. CE. M. CHP	1000pF 50V	2300		チップセラコン	01
C991	US135100	C. CE. CHP	0. 1uF 16V	2300		チップセラコン	01
C992	US135100	C. CE. CHP	0. 1uF 16V	2300		チップセラコン	01
C993	US135100	C. CE. CHP	0. 1uF 16V	2300		チップセラコン	01
C994	US135100	C. CE. CHP	0. 1uF 16V	2300		チップセラコン	01
* D801	VU994700	DIODE. ZENR	MA8082-H 8. 5V	2300		ツェナーダイオード	
* D802	VU994700	DIODE. ZENR	MA8082-H 8. 5V	2300		ツェナーダイオード	
D803	VV307700	DIODE	1N4002S	2300		ダイオード	01
D804	VV307700	DIODE	1N4002S	2300		ダイオード	01
* D901	VU993900	DIODE. ZENR	MA8068-H 7. 0V	2300		ツェナーダイオード	
D902	V2598200	LED	SIR-505ST	2300	UCARTK	L E D	
D961	VT332900	DIODE	1SS355	2300	UCARTK	ダイオード	01
D962	VT332900	DIODE	1SS355	2300	UCARTK	ダイオード	01
D963	VT332900	DIODE	1SS355	2300	UCARTK	ダイオード	01
G901	VR463400	TERM. GND	D3. 5	2300		アース端子	01
IC801	iG001270	IC	TC4066BP	2300		I C	05
IC802	XJ553A00	IC	NJM2068MD	2300		I C	02
IC803	XJ553A00	IC	NJM2068MD	2300		I C	02
IC804	XP844A00	IC	NJM4556AL	2300		I C	02
* IC901	X2874A00	IC	M66003-0101FP FLD	2300		アンプ I C	
IC961	XW863A00	IC	ADM202JRN-REEL7	2300	UCARTK	I C	05
* JK961	V9435700	JACK. MNI	MSJ-035-12APC	2300	UCARTK	モノラル ミニジャック	
* JK962	V9435700	JACK. MNI	MSJ-035-12APC	2300	UCARTK	モノラル ミニジャック	
* JK963	V9435700	JACK. MNI	MSJ-035-12APC	2300	UCARTK	モノラル ミニジャック	
* JK981	V9408200	JACK. PHONE	MSJ-064-05B GR	2300		ホーンジャック	
JK982	V2589500	CN	1P	2300		ミニD I Nコネクタ	02
L981	V2726500	COIL	68uH	2300		コイル	01
PJ981	V6222800	JACK. PIN	3P	2300		ピンジャック 3 P	04
PN901	V3750200	PIN	L=70	2300		スタイルピン	
Q801	VV655700	TR. DGT	DTC144EKA	2300		デジタルトランジスタ	01
Q802	VV655300	TR. DGT	DTA144EKA	2300		デジタルトランジスタ	01
Q803	VD303700	TR	2SC3326 A, B	2300		トランジスタ	01
Q804	VD303700	TR	2SC3326 A, B	2300		トランジスタ	01
Q901	VV556400	TR	2SC2412K Q, R, S	2300		トランジスタ	01
Q902	VV556400	TR	2SC2412K Q, R, S	2300		トランジスタ	01
Q904	VV556400	TR	2SC2412K Q, R, S	2300		トランジスタ	01
Q905	VV556400	TR	2SC2412K Q, R, S	2300		トランジスタ	01
Q906	VV556400	TR	2SC2412K Q, R, S	2300		トランジスタ	01
Q907	VV556400	TR	2SC2412K Q, R, S	2300		トランジスタ	01
Q909	VV556400	TR	2SC2412K Q, R, S	2300		トランジスタ	01
Q910	VD303700	TR	2SC3326 A, B	2300		トランジスタ	01
Q911	VD303700	TR	2SC3326 A, B	2300		トランジスタ	01
Q961	VP872600	TR	2SA1708 S, T	2300	UCARTK	トランジスタ	01
Q962	VV655700	TR. DGT	DTC144EKA	2300	UCARTK	デジタルトランジスタ	01
Q981	VV556400	TR	2SC2412K Q, R, S	2300		トランジスタ	01
Q982	VV556500	TR	2SA1037K Q, R, S	2300		トランジスタ	01
R804	VP940200	R. MTL. OXD	47Ω 1W	2300		酸化金属被膜抵抗	01
R807	VP940200	R. MTL. OXD	47Ω 1W	2300		酸化金属被膜抵抗	01
R835	VP940600	R. MTL. OXD	220Ω 1W	2300		酸化金属被膜抵抗	01
R836	VP940600	R. MTL. OXD	220Ω 1W	2300		酸化金属被膜抵抗	01
R901	HV755100	R. CAR. FP	100Ω 1/4W	2300		不燃化カーボン抵抗	01

\* New Parts \* 新規部品(マーク#の部品は、基板に含まれません)

P.C.B. OPERATION & P.C.B. VIDEO

Schm Ref.	PART NO.	Description	Remarks	Markets	部 品 名	Rank	
R902	HV755100	R. CAR. FP	100Ω 1/4W	2300		不燃化カーボン抵抗	01
ST961	V4040500	SCR. TERM	M3	2300		スクリュー/ターミナル	01
ST962	V4040500	SCR. TERM	M3	2300		スクリュー/ターミナル	01
ST981	V4040500	SCR. TERM	M3	2300		スクリュー/ターミナル	01
ST982	V4040500	SCR. TERM	M3	2300		スクリュー/ターミナル	01
ST983	V4040500	SCR. TERM	M3	2300		スクリュー/ターミナル	01
SW851	V6154000	SW. RT. ENC	SDB161PH20FS-1-4	2300		ロータリーエンコーダ	07
SW901	V4757100	SW. TACT	EVQ11A	2300		タクトSW	01
SW902	V4757100	SW. TACT	EVQ11A	2300		タクトSW	01
SW903	V4757100	SW. TACT	EVQ11A	2300		タクトSW	01
SW904	V4757100	SW. TACT	EVQ11A	2300		タクトSW	01
SW905	V4757100	SW. TACT	EVQ11A	2300		タクトSW	01
SW906	V4757100	SW. TACT	EVQ11A	2300		タクトSW	01
SW907	V4757100	SW. TACT	EVQ11A	2300		タクトSW	01
SW908	V4757100	SW. TACT	EVQ11A	2300		タクトSW	01
SW909	V4757100	SW. TACT	EVQ11A	2300		タクトSW	01
SW910	V4757100	SW. TACT	EVQ11A	2300		タクトSW	01
SW911	V4757100	SW. TACT	EVQ11A	2300		タクトSW	01
SW912	V4757100	SW. TACT	EVQ11A	2300		タクトSW	01
SW913	V4757100	SW. TACT	EVQ11A	2300		タクトSW	01
SW914	V4757100	SW. TACT	EVQ11A	2300		タクトSW	01
SW915	V4757100	SW. TACT	EVQ11A	2300		タクトSW	01
SW916	V4757100	SW. TACT	EVQ11A	2300		タクトSW	01
SW917	V4757100	SW. TACT	EVQ11A	2300		タクトSW	01
SW918	V9281200	SW. RT. ENC	EVEGC1F2512B	2300		ロータリーエンコーダ	
SW923	V9281300	SW. RT. ENC	EVEKD2F3024B	2300		ロータリーエンコーダ	
U901	V9240900	L. DTCT	GP1UM281XK	2300		リモコン受光ユニット	
U981	V7680700	CN. PHOT. SN	1P GP1FA512RZ	2300		光ファイバ受信器	04
V901	V9388700	FL. DSPLY	16-BT-104GK	2300		FL 表示管	
VR801	VP741800	VR	B20KΩ	2300		二連ロータリーVR	02
VR802	VP741900	VR	G25KΩ	2300		二連ロータリーVR	02
	V6007100	SPACER. FL	4.6/10/32	2300		スペーサ FL	
	V6007000	SHEET		2300		シート/FL	03
	V9593000	P. C. B.	VIDEO	1300	J	P C B ビデオ	
	V9593100	P. C. B.	VIDEO	1300, 5590	UC	P C B ビデオ	
	V9593200	P. C. B.	VIDEO	1300, 5590	RTK	P C B ビデオ	
	V9593300	P. C. B.	VIDEO	1300, 5590	A	P C B ビデオ	
	V9593400	P. C. B.	VIDEO	1300, 5590	BG	P C B ビデオ	
CB551	V7827700	SOCKET	10P SE TUC SERIES	1300, 5590		コネクタースOCKET	
CB552	V7827800	SOCKET	11P SE TUC SERIES	1300, 5590		コネクタースOCKET	
CB581	V7826600	CN	16P TE TUC SERIES	1300, 5590		コネクタープラグ	01
CB582	VM929900	CN. BS. PIN	15P	1300, 5590		F P Cコネクタ	01
CB583	V7826600	CN	16P TE TUC SERIES	1300, 5590		コネクタープラグ	01
CB584	VQ044600	CN. BS. PIN	13P	1300, 5590		F F Cコネクタ	01
CB586	V7826100	CN	11P TE TUC SERIES	1300, 5590		コネクタープラグ	01
CB587	V7825800	CN	8P TE TUC SERIES	1300, 5590		コネクタープラグ	
CB588	V7826100	CN	11P TE TUC SERIES	1300, 5590		コネクタープラグ	01
CB591	V7826000	CN	10P TE TUC SERIES	1300, 5590		コネクタープラグ	01
CB592	V7827700	SOCKET	10P SE TUC SERIES	1300, 5590		コネクタースOCKET	
CB593	V7826100	CN	11P TE TUC SERIES	1300, 5590		コネクタープラグ	01

\* New Parts \* 新規部品(マーク#の部品は、基板に含まれません)

RX-V2300/DSP-AX2300  
RX-V1300/RX-V1300RDS/HTR-5590/DSP-AX1300

P.C.B. VIDEO

Schm Ref.	PART NO.	Description	Remarks	Markets	部 品 名	Rank
CB594	V7827800	SOCKET 11P SE TUC SERIES	1300, 5590		コネクターソケット	
CB601	V7827800	SOCKET 11P SE TUC SERIES	1300, 5590		コネクターソケット	
CB602	V7828000	SOCKET 13P SE TUC SERIES	1300, 5590		コネクターソケット	
CB604	VQ044300	CN. BS. PIN 7P	1300, 5590		F F Cコネクター	01
CB701	V7827800	SOCKET 11P SE TUC SERIES	1300, 5590		コネクターソケット	
CB702	V7828000	SOCKET 13P SE TUC SERIES	1300, 5590		コネクターソケット	
* CB751	V7827500	SOCKET 8P SE TUC SERIES	1300, 5590		コネクターソケット	
CB752	V7684100	CM 14P SE YKF SERIES	1300	J	D端子コネクタ	
CB753	V7684100	CM 14P SE YKF SERIES	1300	J	D端子コネクタ	
CB754	V7684100	CM 14P SE YKF SERIES	1300	J	D端子コネクタ	
CB851	V7826300	CN 13P TE TUC SERIES	1300, 5590		コネクタープラグ	
CB852	V7826300	CN 13P TE TUC SERIES	1300, 5590		コネクタープラグ	
C551	US135100	C. CE. CHP 0. 1uF 16V	1300, 5590		チップセラコン	01
C552	US135100	C. CE. CHP 0. 1uF 16V	1300, 5590		チップセラコン	01
C553	UA652470	C. MYLAR 470pF 50V	1300, 5590		マイラーコン	01
C554	UA652470	C. MYLAR 470pF 50V	1300, 5590		マイラーコン	01
C555	UA652470	C. MYLAR 470pF 50V	1300, 5590		マイラーコン	01
C556	UA652470	C. MYLAR 470pF 50V	1300, 5590		マイラーコン	01
C557	UA652470	C. MYLAR 470pF 50V	1300, 5590		マイラーコン	01
C558	UA652470	C. MYLAR 470pF 50V	1300, 5590		マイラーコン	01
C559	UA652470	C. MYLAR 470pF 50V	1300, 5590		マイラーコン	01
C560	UA652470	C. MYLAR 470pF 50V	1300, 5590		マイラーコン	01
C561	UA652100	C. MYLAR 100pF 50V	1300, 5590		マイラーコン	01
C562	UA652100	C. MYLAR 100pF 50V	1300, 5590		マイラーコン	01
C563	UA652470	C. MYLAR 470pF 50V	1300, 5590		マイラーコン	01
C564	UA652470	C. MYLAR 470pF 50V	1300, 5590		マイラーコン	01
C565	UA652100	C. MYLAR 100pF 50V	1300, 5590		マイラーコン	01
C566	UA652100	C. MYLAR 100pF 50V	1300, 5590		マイラーコン	01
C567	UA652470	C. MYLAR 470pF 50V	1300, 5590	UCA	マイラーコン	01
C568	UA652470	C. MYLAR 470pF 50V	1300, 5590	UCA	マイラーコン	01
C581	UR837470	C. EL 47uF 16V	1300, 5590		ケミコン	01
C583	US064100	C. CE. M. CHP 0. 01uF 50V	1300, 5590		チップセラコン	01
C585	US063100	C. CE. M. CHP 1000pF 50V	1300, 5590		チップセラコン	01
C586	US062100	C. CE. M. CHP 100pF 50V	1300, 5590		チップセラコン	01
C587	UR866220	C. EL 2. 2uF 50V	1300, 5590		ケミコン	01
C588	UR837470	C. EL 47uF 16V	1300, 5590		ケミコン	01
C589	US135100	C. CE. CHP 0. 1uF 16V	1300	BG	チップセラコン	01
C591	US062330	C. CE. M. CHP 330pF 50V	1300	BG	チップセラコン	01
C592	US062330	C. CE. M. CHP 330pF 50V	1300	BG	チップセラコン	01
C593	US062560	C. CE. CHP 560pF 50V	1300	BG	チップセラ ( S L )	01
C594	UR837470	C. EL 47uF 16V	1300	BG	ケミコン	01
C595	UR837470	C. EL 47uF 16V	1300	BG	ケミコン	01
C596	US061270	C. CE. M. CHP 27pF 50V	1300	BG	チップセラコン	01
C597	US061270	C. CE. M. CHP 27pF 50V	1300	BG	チップセラコン	01
C598	US135100	C. CE. CHP 0. 1uF 16V	1300	BG	チップセラコン	01
C599	UR837470	C. EL 47uF 16V	1300	BG	ケミコン	01
C601	US061470	C. CE. M. CHP 47pF 50V	1300, 5590		チップセラコン	01
C602	US061470	C. CE. M. CHP 47pF 50V	1300, 5590		チップセラコン	01
C603	US061470	C. CE. M. CHP 47pF 50V	1300, 5590		チップセラコン	01
C604	US061470	C. CE. M. CHP 47pF 50V	1300, 5590		チップセラコン	01
C605	US062100	C. CE. M. CHP 100pF 50V	1300, 5590		チップセラコン	01
C606	US062100	C. CE. M. CHP 100pF 50V	1300, 5590		チップセラコン	01
C607	US135100	C. CE. CHP 0. 1uF 16V	1300, 5590		チップセラコン	01

\* New Parts \* 新規部品(マーク#の部品は、基板に含まれません)

RX-V1300/RX-V1300RDS/HTR-5590/DSP-AX1300  
RX-V2300/DSP-AX2300

P.C.B. VIDEO

Schm Ref.	PART NO.	Description	Remarks	Markets	部 品 名	Rank
C608	US135100	C. CE. CHP	0. 1uF 16V	1300, 5590	チップセラコン	01
C609	US135100	C. CE. CHP	0. 1uF 16V	1300, 5590	チップセラコン	01
C610	UR829100	C. EL	1000uF 10V	1300, 5590	ケミコン	01
C611	UR866470	C. EL	4. 7uF 50V	1300, 5590	ケミコン	01
C612	UR866470	C. EL	4. 7uF 50V	1300, 5590	ケミコン	01
C613	US135100	C. CE. CHP	0. 1uF 16V	1300, 5590	チップセラコン	01
C614	US135100	C. CE. CHP	0. 1uF 16V	1300, 5590	チップセラコン	01
C616	US135100	C. CE. CHP	0. 1uF 16V	1300, 5590	チップセラコン	01
C617	UR818100	C. EL	100uF 6. 3V	1300, 5590	ケミコン	01
C618	UR837470	C. EL	47uF 16V	1300, 5590	ケミコン	01
C621	UR818100	C. EL	100uF 6. 3V	1300, 5590	ケミコン	01
C622	UR818100	C. EL	100uF 6. 3V	1300, 5590	ケミコン	01
C623	UR818100	C. EL	100uF 6. 3V	1300, 5590	ケミコン	01
C624	UR818100	C. EL	100uF 6. 3V	1300, 5590	ケミコン	01
C625	UR837100	C. EL	10uF 16V	1300, 5590	ケミコン	01
C626	UR818100	C. EL	100uF 6. 3V	1300, 5590	ケミコン	01
C627	UR837100	C. EL	10uF 16V	1300, 5590	ケミコン	01
C628	US135100	C. CE. CHP	0. 1uF 16V	1300, 5590	チップセラコン	01
C629	US135100	C. CE. CHP	0. 1uF 16V	1300, 5590	チップセラコン	01
C630	US060800	C. CE. CHP	8pF 50V	1300, 5590	チップセラコン	01
C631	UR818100	C. EL	100uF 6. 3V	1300, 5590	ケミコン	01
C632	UR818100	C. EL	100uF 6. 3V	1300, 5590	ケミコン	01
C633	US061330	C. CE. M. CHP	33pF 50V	1300, 5590	チップセラコン	01
C634	US064100	C. CE. M. CHP	0. 01uF 50V	1300, 5590	チップセラコン	01
C635	UR837470	C. EL	47uF 16V	1300, 5590	ケミコン	01
C636	UR866470	C. EL	4. 7uF 50V	1300, 5590	ケミコン	01
C637	UR818330	C. EL	330uF 6. 3V	1300, 5590	ケミコン	01
C639	US063120	C. CE. M. CHP	1200pF 50V	1300, 5590	チップセラコン	01
C640	US062470	C. CE. M. CHP	470pF 50V	1300, 5590	チップセラコン	01
C641	UR866100	C. EL	1uF 50V	1300, 5590	ケミコン	01
C642	UR866100	C. EL	1uF 50V	1300, 5590	ケミコン	01
C643	US060700	C. CE. CHP	7pF 50V	1300, 5590	チップセラコン	01
C644	US061240	C. CE. CHP	24pF 50V	1300, 5590	チップセラ (CH)	01
C645	US061240	C. CE. CHP	24pF 50V	1300, 5590	チップセラ (CH)	01
C646	US062220	C. CE. CHP	220pF 50V	1300, 5590	チップセラコン	01
C647	US062120	C. CE. CHP	120pF 50V	1300, 5590	チップセラコン	01
C648	UR818100	C. EL	100uF 6. 3V	1300, 5590	ケミコン	01
C651	US135100	C. CE. CHP	0. 1uF 16V	1300, 5590	チップセラコン	01
C652	US135100	C. CE. CHP	0. 1uF 16V	1300, 5590	チップセラコン	01
C653	US062470	C. CE. M. CHP	470pF 50V	1300, 5590	チップセラコン	01
C656	US135100	C. CE. CHP	0. 1uF 16V	1300, 5590	チップセラコン	01
C657	UR818100	C. EL	100uF 6. 3V	1300, 5590	ケミコン	01
C701	US061470	C. CE. M. CHP	47pF 50V	1300, 5590	チップセラコン	01
C702	US061470	C. CE. M. CHP	47pF 50V	1300, 5590	チップセラコン	01
C704	US062100	C. CE. M. CHP	100pF 50V	1300, 5590	チップセラコン	01
C705	UR818100	C. EL	100uF 6. 3V	1300, 5590	ケミコン	01
C706	UR829100	C. EL	1000uF 10V	1300, 5590	ケミコン	01
C707	UR818100	C. EL	100uF 6. 3V	1300, 5590	ケミコン	01
C708	US135100	C. CE. CHP	0. 1uF 16V	1300, 5590	チップセラコン	01
C709	US135100	C. CE. CHP	0. 1uF 16V	1300, 5590	チップセラコン	01
C710	UR837470	C. EL	47uF 16V	1300, 5590	ケミコン	01
C712	UR818100	C. EL	100uF 6. 3V	1300, 5590	ケミコン	01
C713	UR818100	C. EL	100uF 6. 3V	1300, 5590	ケミコン	01

\* New Parts \* 新規部品(マーク#の部品は、基板に含まれません)

RX-V2300/DSP-AX2300  
RX-V1300/RX-V1300RDS/HTR-5590/DSP-AX1300



P.C.B. VIDEO

Schm Ref.	PART NO.	Description	Remarks	Markets	部 品 名	Rank	
C714	UR837470	C. EL	47uF 16V	1300, 5590		ケミコン	01
C715	US135100	C. CE. CHP	0. 1uF 16V	1300, 5590		チップセラコン	01
C716	US135100	C. CE. CHP	0. 1uF 16V	1300, 5590		チップセラコン	01
C751	US060800	C. CE. CHP	8pF 50V	1300, 5590		チップセラコン	01
C752	US060800	C. CE. CHP	8pF 50V	1300, 5590		チップセラコン	01
C753	US060800	C. CE. CHP	8pF 50V	1300, 5590		チップセラコン	01
C754	US135100	C. CE. CHP	0. 1uF 16V	1300, 5590		チップセラコン	01
C755	US135100	C. CE. CHP	0. 1uF 16V	1300, 5590		チップセラコン	01
C756	UR818100	C. EL	100uF 6. 3V	1300, 5590		ケミコン	01
C757	UR818100	C. EL	100uF 6. 3V	1300, 5590		ケミコン	01
C758	US064100	C. CE. M. CHP	0. 01uF 50V	1300	J	チップセラコン	01
C759	US064100	C. CE. M. CHP	0. 01uF 50V	1300	J	チップセラコン	01
C760	US064100	C. CE. M. CHP	0. 01uF 50V	1300	J	チップセラコン	01
C761	US064100	C. CE. M. CHP	0. 01uF 50V	1300	J	チップセラコン	01
C762	US064100	C. CE. M. CHP	0. 01uF 50V	1300	J	チップセラコン	01
C763	US064100	C. CE. M. CHP	0. 01uF 50V	1300	J	チップセラコン	01
C764	US064100	C. CE. M. CHP	0. 01uF 50V	1300	J	チップセラコン	01
C765	US064100	C. CE. M. CHP	0. 01uF 50V	1300	J	チップセラコン	01
C766	US064100	C. CE. M. CHP	0. 01uF 50V	1300	J	チップセラコン	01
C769	US135100	C. CE. CHP	0. 1uF 16V	1300, 5590		チップセラコン	01
C778	US060800	C. CE. CHP	8pF 50V	1300	J	チップセラコン	01
C779	US060800	C. CE. CHP	8pF 50V	1300	J	チップセラコン	01
C780	US060800	C. CE. CHP	8pF 50V	1300	J	チップセラコン	01
D581	VU172000	DIODE. ZENR	UDZS5. 6BTE-17 5.6V	1300, 5590		ツェナーダイオード	01
D601	VT332900	DIODE	1SS355	1300, 5590		ダイオード	01
D602	VT332900	DIODE	1SS355	1300, 5590		ダイオード	01
D603	VT332900	DIODE	1SS355	1300, 5590		ダイオード	01
D604	VT332900	DIODE	1SS355	1300, 5590		ダイオード	01
D605	VT332900	DIODE	1SS355	1300, 5590		ダイオード	01
D606	VT332900	DIODE	1SS355	1300, 5590		ダイオード	01
D608	VT332900	DIODE	1SS355	1300, 5590		ダイオード	01
D609	VT332900	DIODE	1SS355	1300, 5590		ダイオード	01
D610	VT332900	DIODE	1SS355	1300, 5590		ダイオード	01
G581	VR463400	TERM. GND	D3. 5	1300, 5590		アース端子	01
IC581	XY534A00	IC	LC72722	1300	BG	RDSデコーダIC	06
* IC582	X2896A00	IC. CPU	M62320FP I/O PORT	1300, 5590		CPU/周辺IC	
IC601	XW939A00	IC	TK15420M VIDEO AMP	1300, 5590		アンプIC SOP	03
IC602	XZ830A00	IC	MM74HC4051N MULTI	1300, 5590		ロジックIC DIP	01
IC603	XZ830A00	IC	MM74HC4051N MULTI	1300, 5590		ロジックIC DIP	01
IC607	X2093A00	IC	MM74HC4053N MULTI	1300, 5590		ロジックIC DIP	
IC608	XD598A00	IC	TC74HCU04AFEL INV	1300, 5590		ロジックIC	01
IC609	XY443A00	IC	LA7109 6CH	1300, 5590		アンプIC SOP	05
IC610	XZ060A00	IC	LC74781-9798	1300, 5590		IC SDIP	05
IC701	XW911A00	IC	LA7108M VIDEO AMP	1300, 5590		アンプIC	04
IC702	XY550A00	IC	MM74HC4051SJX	1300, 5590		ロジックIC SOP	01
IC705	XW416A00	IC	BU2092 SER/PAR	1300, 5590		ロジックIC	03
IC751	XS790A00	IC	TC74HC4052AF MPX	1300, 5590		ロジックIC	02
* IC752	X2904A00	IC	NJM2581M VIDEO AMP	1300, 5590		アンプIC SOP	
IC753	XS790A00	IC	TC74HC4052AF MPX	1300, 5590		ロジックIC	02
IC754	XS790A00	IC	TC74HC4052AF MPX	1300	J	ロジックIC	02
* JK601	VS867300	CN	4P YKF51-5501	1300, 5590		ミニDINコネクタ	03
* JK602	V9273500	CN. DIN	2P YKF51-5605	1300, 5590		DINコネクタ2P	
* JK603	V9273500	CN. DIN	2P YKF51-5605	1300, 5590		DINコネクタ2P	

\* New Parts \* 新規部品(マーク#の部品は、基板に含まれません)

P.C.B. VIDEO

Schm Ref.	PART NO.	Description	Remarks	Markets	部 品 名	Rank	
*	JK604	V9273500 CN. DIN	2P YKF51-5605	1300, 5590		D I Nコネクタ 2 P	
*	JK605	VS867300 CN	4P YKF51-5501	1300, 5590		ミニD I Nコネクタ	03
	L581	VK267500 COIL	220uH	1300	BG	コイル	01
	L605	V2726100 COIL	33uH	1300, 5590		コイル	01
	PJ551	V4199100 JACK. PIN	6P	1300, 5590		ピンジャック 6 P	
	PJ552	VJ696300 JACK. PIN	4P	1300, 5590		ピンジャック	03
	PJ553	V4199100 JACK. PIN	6P	1300, 5590	UCA	ピンジャック 6 P	
	PJ553	VJ696300 JACK. PIN	4P	1300, 5590	JRTKBG	ピンジャック	03
	PJ701	VV325000 JACK. PIN	2P	1300, 5590		ピンジャック	03
	PJ702	VV325000 JACK. PIN	2P	1300, 5590		ピンジャック	03
	PJ703	VV325000 JACK. PIN	2P	1300, 5590		ピンジャック	03
	PJ704	V7189800 JACK. PIN	1P	1300, 5590		ピンジャック 1 P	
	PJ705	V7189800 JACK. PIN	1P	1300, 5590		ピンジャック 1 P	
	PJ751	V8143900 JACK PIN	SHIELD YKC21-4348	1300, 5590		ピンジャック 9 P	04
*	PN601	V9637500 PIN	V963750 L=70 #18	1300, 5590		スタイルピン	
	Q581	iC174020 TR	2SC1740S R, S	1300, 5590		トランジスタ	01
	Q581	iC174020 TR	2SC1740S R, S	1300	BG	トランジスタ	01
	Q582	iC181510 TR	2SC1815 Y	1300, 5590		トランジスタ	01
	Q583	iC174020 TR	2SC1740S R, S	1300, 5590		トランジスタ	01
	Q601	iC174020 TR	2SC1740S R, S	1300, 5590		トランジスタ	01
	Q604	iC174020 TR	2SC1740S R, S	1300, 5590		トランジスタ	01
	Q605	iC174020 TR	2SC1740S R, S	1300, 5590		トランジスタ	01
	Q606	iA101510 TR	2SA1015 Y	1300, 5590		トランジスタ	01
	Q607	iC224030 TR	2SC2240 GR, BL	1300, 5590		トランジスタ	01
	Q608	iC053540 TR	2SC535 A, B, C	1300, 5590		トランジスタ	01
	Q609	iC287820 TR	2SC2878 A, B	1300, 5590		トランジスタ	01
	Q610	iC174020 TR	2SC1740S R, S	1300, 5590		トランジスタ	01
	Q611	iC174020 TR	2SC1740S R, S	1300, 5590		トランジスタ	01
	Q701	iC174020 TR	2SC1740S R, S	1300, 5590		トランジスタ	01
	R609	HV753220 R. CAR. FP	2.2Ω 1/4W	1300, 5590		不燃化カーボン抵抗	01
	R625	HV755270 R. CAR. FP	270Ω 1/4W	1300, 5590		不燃化カーボン抵抗	01
	R626	HV753220 R. CAR. FP	2.2Ω 1/4W	1300, 5590		不燃化カーボン抵抗	01
	R635	HV755470 R. CAR. FP	470Ω 1/4W	1300, 5590		不燃化カーボン抵抗	01
	R641	HV753100 R. CAR. FP	1Ω 1/4W	1300, 5590		不燃化カーボン抵抗	01
	R642	HV753100 R. CAR. FP	1Ω 1/4W	1300, 5590		不燃化カーボン抵抗	01
	R643	HV755470 R. CAR. FP	470Ω 1/4W	1300, 5590		不燃化カーボン抵抗	01
	R648	HV755470 R. CAR. FP	470Ω 1/4W	1300, 5590		不燃化カーボン抵抗	01
	R650	HV755470 R. CAR. FP	470Ω 1/4W	1300, 5590		不燃化カーボン抵抗	01
	R668	HV755470 R. CAR. FP	470Ω 1/4W	1300, 5590		不燃化カーボン抵抗	01
	R669	HV755470 R. CAR. FP	470Ω 1/4W	1300, 5590		不燃化カーボン抵抗	01
	R686	HV755470 R. CAR. FP	470Ω 1/4W	1300, 5590		不燃化カーボン抵抗	01
	R688	HV753470 R. CAR. FP	4.7Ω 1/4W	1300, 5590		不燃化カーボン抵抗	01
	R716	HV755270 R. CAR. FP	270Ω 1/4W	1300, 5590		不燃化カーボン抵抗	01
	R717	HV753220 R. CAR. FP	2.2Ω 1/4W	1300, 5590		不燃化カーボン抵抗	01
	R719	HV753220 R. CAR. FP	2.2Ω 1/4W	1300, 5590		不燃化カーボン抵抗	01
	R785	HV753100 R. CAR. FP	1Ω 1/4W	1300, 5590		不燃化カーボン抵抗	01
	R786	HV753100 R. CAR. FP	1Ω 1/4W	1300, 5590		不燃化カーボン抵抗	01
	R851	HV754470 R. CAR. FP	47Ω 1/4W	1300, 5590		不燃化カーボン抵抗	01
	ST751	V4040500 SCR. TERM	M3	1300, 5590		スクリュー/ターミナル	01
	SW551	VY811700 SW. SLIDE	SS029-P2022BJ6-PA6	1300, 5590	RTK	スライド S W	02
*	XL581	V7556000 RSNR. CRYST	4.332MHz HC-49U	1300, 5590	BG	水晶振動子	
*	XL601	V9018400 RSNR. CRYST	14.3181MHz	1300, 5590	JUCRTK	水晶振動子	
*	XL601	V9018500 RSNR. CRYST	17.7344MHz	1300, 5590	ABG	水晶振動子	

\* New Parts \* 新規部品(マーク#の部品は、基板に含まれません)

RX-V2300/DSP-AX2300  
RX-V1300/RX-V1300RDS/HTR-5590/DSP-AX1300

P.C.B. VIDEO

Schm Ref.	PART NO.	Description	Remarks	Markets	部 品 名	Rank	
*	V9593800	P. C. B.	VIDEO	2300	J	P C B ビデオ	
*	V9593900	P. C. B.	VIDEO	2300	UC	P C B ビデオ	
*	V9594000	P. C. B.	VIDEO	2300	RTK	P C B ビデオ	
*	V9594100	P. C. B.	VIDEO	2300	A	P C B ビデオ	
	CB551	V7827700 SOCKET	10P SE TUC SERIES	2300		コネクターソケット	
	CB552	V7827800 SOCKET	11P SE TUC SERIES	2300		コネクターソケット	
	CB581	V7826600 CN	16P TE TUC SERIES	2300		コネクタープラグ	01
	CB582	VM929900 CN. BS. PIN	15P	2300		F P Cコネクター	01
	CB583	V7826600 CN	16P TE TUC SERIES	2300		コネクタープラグ	01
	CB584	VQ044600 CN. BS. PIN	13P	2300		F F Cコネクター	01
	CB586	V7826100 CN	11P TE TUC SERIES	2300		コネクタープラグ	01
*	CB587	V7825800 CN	8P TE TUC SERIES	2300		コネクタープラグ	
	CB588	V7826100 CN	11P TE TUC SERIES	2300		コネクタープラグ	01
	CB591	V7826000 CN	10P TE TUC SERIES	2300		コネクタープラグ	01
	CB592	V7827700 SOCKET	10P SE TUC SERIES	2300		コネクターソケット	
	CB593	V7826100 CN	11P TE TUC SERIES	2300		コネクタープラグ	01
	CB594	V7827800 SOCKET	11P SE TUC SERIES	2300		コネクターソケット	
	CB601	V7827800 SOCKET	11P SE TUC SERIES	2300		コネクターソケット	
	CB602	V7828000 SOCKET	13P SE TUC SERIES	2300		コネクターソケット	
	CB604	VQ044300 CN. BS. PIN	7P	2300		F F Cコネクター	01
	CB701	V7827800 SOCKET	11P SE TUC SERIES	2300		コネクターソケット	
	CB702	V7828000 SOCKET	13P SE TUC SERIES	2300		コネクターソケット	
*	CB751	V7827500 SOCKET	8P SE TUC SERIES	2300		コネクターソケット	
	CB752	V7684100 CM	14P SE YKF SERIES	2300	J	D端子コネクタ	
	CB753	V7684100 CM	14P SE YKF SERIES	2300	J	D端子コネクタ	
	CB754	V7684100 CM	14P SE YKF SERIES	2300	J	D端子コネクタ	
	CB851	V7826300 CN	13P TE TUC SERIES	2300		コネクタープラグ	
	CB852	V7826300 CN	13P TE TUC SERIES	2300		コネクタープラグ	
	C551	US135100 C. CE. CHP	0. 1uF 16V	2300		チップセラコン	01
	C552	US135100 C. CE. CHP	0. 1uF 16V	2300		チップセラコン	01
	C553	UA652470 C. MYLAR	470pF 50V	2300		マイラーコン	01
	C554	UA652470 C. MYLAR	470pF 50V	2300		マイラーコン	01
	C555	UA652470 C. MYLAR	470pF 50V	2300		マイラーコン	01
	C556	UA652470 C. MYLAR	470pF 50V	2300		マイラーコン	01
	C557	UA652470 C. MYLAR	470pF 50V	2300		マイラーコン	01
	C558	UA652470 C. MYLAR	470pF 50V	2300		マイラーコン	01
	C559	UA652470 C. MYLAR	470pF 50V	2300		マイラーコン	01
	C560	UA652470 C. MYLAR	470pF 50V	2300		マイラーコン	01
	C561	UA652100 C. MYLAR	100pF 50V	2300		マイラーコン	01
	C562	UA652100 C. MYLAR	100pF 50V	2300		マイラーコン	01
	C563	UA652470 C. MYLAR	470pF 50V	2300		マイラーコン	01
	C564	UA652470 C. MYLAR	470pF 50V	2300		マイラーコン	01
	C565	UA652100 C. MYLAR	100pF 50V	2300		マイラーコン	01
	C566	UA652100 C. MYLAR	100pF 50V	2300		マイラーコン	01
	C567	UA652470 C. MYLAR	470pF 50V	2300	UCA	マイラーコン	01
	C568	UA652470 C. MYLAR	470pF 50V	2300	UCA	マイラーコン	01
	C581	UR837470 C. EL	47uF 16V	2300		ケミコン	01
	C583	US064100 C. CE. M. CHP	0. 01uF 50V	2300		チップセラコン	01
	C585	US063100 C. CE. M. CHP	1000pF 50V	2300		チップセラコン	01
	C586	US062100 C. CE. M. CHP	100pF 50V	2300		チップセラコン	01
	C587	UR866220 C. EL	2. 2uF 50V	2300		ケミコン	01
	C588	UR837470 C. EL	47uF 16V	2300		ケミコン	01
	C601	US061470 C. CE. M. CHP	47pF 50V	2300		チップセラコン	01

\* New Parts \* 新規部品(マーク#の部品は、基板に含まれません)

P.C.B. VIDEO

Schm Ref.	PART NO.	Description	Remarks	Markets	部 品 名	Rank	
C602	US061470	C. CE. M. CHP	47pF 50V	2300		チップセラコン	01
C603	US061470	C. CE. M. CHP	47pF 50V	2300		チップセラコン	01
C604	US061470	C. CE. M. CHP	47pF 50V	2300		チップセラコン	01
C605	US062100	C. CE. M. CHP	100pF 50V	2300		チップセラコン	01
C606	US062100	C. CE. M. CHP	100pF 50V	2300		チップセラコン	01
C607	US135100	C. CE. CHP	0. 1uF 16V	2300		チップセラコン	01
C608	US135100	C. CE. CHP	0. 1uF 16V	2300		チップセラコン	01
C609	US135100	C. CE. CHP	0. 1uF 16V	2300		チップセラコン	01
C610	UR829100	C. EL	1000uF 10V	2300		ケミコン	01
C611	UR866470	C. EL	4. 7uF 50V	2300		ケミコン	01
C612	UR866470	C. EL	4. 7uF 50V	2300		ケミコン	01
C613	US135100	C. CE. CHP	0. 1uF 16V	2300		チップセラコン	01
C614	US135100	C. CE. CHP	0. 1uF 16V	2300		チップセラコン	01
C616	US135100	C. CE. CHP	0. 1uF 16V	2300		チップセラコン	01
C617	UR818100	C. EL	100uF 6. 3V	2300		ケミコン	01
C618	UR837470	C. EL	47uF 16V	2300		ケミコン	01
C621	UR818100	C. EL	100uF 6. 3V	2300		ケミコン	01
C622	UR818100	C. EL	100uF 6. 3V	2300		ケミコン	01
C623	UR818100	C. EL	100uF 6. 3V	2300		ケミコン	01
C624	UR818100	C. EL	100uF 6. 3V	2300		ケミコン	01
C625	UR837100	C. EL	10uF 16V	2300		ケミコン	01
C626	UR818100	C. EL	100uF 6. 3V	2300		ケミコン	01
C627	UR837100	C. EL	10uF 16V	2300		ケミコン	01
C628	US135100	C. CE. CHP	0. 1uF 16V	2300		チップセラコン	01
C629	US135100	C. CE. CHP	0. 1uF 16V	2300		チップセラコン	01
C630	US060800	C. CE. CHP	8pF 50V	2300		チップセラコン	01
C631	UR818100	C. EL	100uF 6. 3V	2300		ケミコン	01
C632	UR818100	C. EL	100uF 6. 3V	2300		ケミコン	01
C633	US061330	C. CE. M. CHP	33pF 50V	2300		チップセラコン	01
C634	US064100	C. CE. M. CHP	0. 01uF 50V	2300		チップセラコン	01
C635	UR837470	C. EL	47uF 16V	2300		ケミコン	01
C636	UR866470	C. EL	4. 7uF 50V	2300		ケミコン	01
C637	UR818330	C. EL	330uF 6. 3V	2300		ケミコン	01
C638	US135100	C. CE. CHP	0. 1uF 16V	2300	UCA	チップセラコン	01
C639	US063120	C. CE. M. CHP	1200pF 50V	2300		チップセラコン	01
C640	US062470	C. CE. M. CHP	470pF 50V	2300		チップセラコン	01
C641	UR866100	C. EL	1uF 50V	2300		ケミコン	01
C642	UR866100	C. EL	1uF 50V	2300		ケミコン	01
C643	US060700	C. CE. CHP	7pF 50V	2300		チップセラコン	01
C644	US061240	C. CE. CHP	24pF 50V	2300		チップセラ (CH)	01
C645	US061240	C. CE. CHP	24pF 50V	2300		チップセラ (CH)	01
C646	US062220	C. CE. CHP	220pF 50V	2300		チップセラコン	01
C647	US062120	C. CE. CHP	120pF 50V	2300		チップセラコン	01
C648	UR818100	C. EL	100uF 6. 3V	2300		ケミコン	01
C649	US135100	C. CE. CHP	0. 1uF 16V	2300	UCA	チップセラコン	01
C650	UR837470	C. EL	47uF 16V	2300	UCA	ケミコン	01
C651	US135100	C. CE. CHP	0. 1uF 16V	2300		チップセラコン	01
C652	US135100	C. CE. CHP	0. 1uF 16V	2300		チップセラコン	01
C653	US062470	C. CE. M. CHP	470pF 50V	2300		チップセラコン	01
C654	US061470	C. CE. M. CHP	47pF 50V	2300	UCA	チップセラコン	01
C655	US061470	C. CE. M. CHP	47pF 50V	2300	UCA	チップセラコン	01
C656	US135100	C. CE. CHP	0. 1uF 16V	2300		チップセラコン	01
C657	UR818100	C. EL	100uF 6. 3V	2300		ケミコン	01

\* New Parts \* 新規部品(マーク#の部品は、基板に含まれません)

RX-V2300/DSP-AX2300  
RX-V1300/RX-V1300RDS/HTR-5590/DSP-AX1300

P.C.B. VIDEO

Schm Ref.	PART NO.	Description	Remarks	Markets	部 品 名	Rank		
C658	US135100	C. CE. CHP	0. 1uF 16V	2300	UCA	チップセラコン	01	
C659	US135100	C. CE. CHP	0. 1uF 16V	2300		チップセラコン	01	
C701	US061470	C. CE. M. CHP	47pF 50V	2300		チップセラコン	01	
C702	US061470	C. CE. M. CHP	47pF 50V	2300		チップセラコン	01	
C703	US061470	C. CE. M. CHP	47pF 50V	2300		チップセラコン	01	
C704	US062100	C. CE. M. CHP	100pF 50V	2300		チップセラコン	01	
C705	UR818100	C. EL	100uF 6. 3V	2300		ケミコン	01	
C706	UR829100	C. EL	1000uF 10V	2300		ケミコン	01	
C707	UR818100	C. EL	100uF 6. 3V	2300		ケミコン	01	
C708	US135100	C. CE. CHP	0. 1uF 16V	2300		UCA	チップセラコン	01
C709	US135100	C. CE. CHP	0. 1uF 16V	2300			チップセラコン	01
C710	UR837470	C. EL	47uF 16V	2300			ケミコン	01
C711	UR837470	C. EL	47uF 16V	2300			ケミコン	01
C712	UR818100	C. EL	100uF 6. 3V	2300			ケミコン	01
C713	UR818100	C. EL	100uF 6. 3V	2300	ケミコン		01	
C714	UR837470	C. EL	47uF 16V	2300	ケミコン		01	
C715	US135100	C. CE. CHP	0. 1uF 16V	2300	チップセラコン		01	
C716	US135100	C. CE. CHP	0. 1uF 16V	2300	チップセラコン		01	
C751	US060800	C. CE. CHP	8pF 50V	2300	チップセラコン		01	
C752	US060800	C. CE. CHP	8pF 50V	2300	チップセラコン		01	
C753	US060800	C. CE. CHP	8pF 50V	2300	チップセラコン		01	
C754	US135100	C. CE. CHP	0. 1uF 16V	2300	チップセラコン		01	
C755	US135100	C. CE. CHP	0. 1uF 16V	2300	チップセラコン		01	
C756	UR818100	C. EL	100uF 6. 3V	2300	ケミコン	01		
C757	UR818100	C. EL	100uF 6. 3V	2300	ケミコン	01		
C758	US064100	C. CE. M. CHP	0. 01uF 50V	2300	J	チップセラコン	01	
C759	US064100	C. CE. M. CHP	0. 01uF 50V	2300	J	チップセラコン	01	
C760	US064100	C. CE. M. CHP	0. 01uF 50V	2300	J	チップセラコン	01	
C761	US064100	C. CE. M. CHP	0. 01uF 50V	2300	J	チップセラコン	01	
C762	US064100	C. CE. M. CHP	0. 01uF 50V	2300	J	チップセラコン	01	
C763	US064100	C. CE. M. CHP	0. 01uF 50V	2300	J	チップセラコン	01	
C764	US064100	C. CE. M. CHP	0. 01uF 50V	2300	J	チップセラコン	01	
C765	US064100	C. CE. M. CHP	0. 01uF 50V	2300	J	チップセラコン	01	
C766	US064100	C. CE. M. CHP	0. 01uF 50V	2300	J	チップセラコン	01	
C769	US135100	C. CE. CHP	0. 1uF 16V	2300	JUCA	チップセラコン	01	
C778	US060800	C. CE. CHP	8pF 50V	2300		J	チップセラコン	01
C779	US060800	C. CE. CHP	8pF 50V	2300		J	チップセラコン	01
C780	US060800	C. CE. CHP	8pF 50V	2300		J	チップセラコン	01
D581	VU172000	DIODE. ZENR	UDZS5. 6BTE-17 5.6V	2300			ツェナーダイオード	01
D601	VT332900	DIODE	1SS355	2300			ダイオード	01
D602	VT332900	DIODE	1SS355	2300			ダイオード	01
D603	VT332900	DIODE	1SS355	2300			ダイオード	01
D604	VT332900	DIODE	1SS355	2300			ダイオード	01
D605	VT332900	DIODE	1SS355	2300			ダイオード	01
D606	VT332900	DIODE	1SS355	2300			ダイオード	01
D607	VT332900	DIODE	1SS355	2300			ダイオード	01
D608	VT332900	DIODE	1SS355	2300			ダイオード	01
D609	VT332900	DIODE	1SS355	2300			ダイオード	01
D610	VT332900	DIODE	1SS355	2300		ダイオード	01	
G581	VR463400	TERM. GND	D3. 5	2300		アース端子	01	
IC582	X2896A00	IC. CPU	M62320FP I/O PORT	2300		CPU/周辺IC		
IC601	XW939A00	IC	TK15420M VIDEO AMP	2300		アンプIC SOP	03	
IC602	XZ830A00	IC	MM74HC4051N MULTI	2300		ロジックIC DIP	01	

\*

\* New Parts \* 新規部品(マーク#の部品は、基板に含まれません)

RX-V1300/RX-V1300RDS/HTR-5590/DSP-AX1300  
RX-V2300/DSP-AX2300

P.C.B. VIDEO

Schm Ref.	PART NO.	Description	Remarks	Markets	部 品 名	Rank
IC603	XZ830A00	IC	MM74HC4051N MULTI	2300		ロジック IC DIP 01
IC604	XZ830A00	IC	MM74HC4051N MULTI	2300		ロジック IC DIP 01
IC605	XZ830A00	IC	MM74HC4051N MULTI	2300		ロジック IC DIP 01
IC606	X2093A00	IC	MM74HC4053N MULTI	2300	UCA	ロジック IC DIP
IC607	X2093A00	IC	MM74HC4053N MULTI	2300		ロジック IC DIP
IC608	XD598A00	IC	TC74HC04AFEL INV	2300		ロジック IC 01
IC609	XY443A00	IC	LA7109 6CH	2300		アンプ IC SOP 05
IC610	XZ060A00	IC	LC74781-9798	2300		IC SDIP 05
IC611	XW939A00	IC	TK15420M VIDEO AMP	2300	JUCA	アンプ IC SOP 03
IC612	XY877A00	IC	MM74HC4053SJX	2300	JUCA	ロジック IC SOP
IC701	XW911A00	IC	LA7108M VIDEO AMP	2300		アンプ IC 04
IC702	XY550A00	IC	MM74HC4051SJX	2300		ロジック IC SOP 01
IC703	XY550A00	IC	MM74HC4051SJX	2300		ロジック IC SOP 01
IC704	XY877A00	IC	MM74HC4053SJX	2300	UCA	ロジック IC SOP
IC705	XW416A00	IC	BU2092 SER/PAR	2300		ロジック IC 03
IC751	XS790A00	IC	TC74HC4052AF MPX	2300		ロジック IC 02
IC752	X2904A00	IC	NJM2581M VIDEO AMP	2300		アンプ IC SOP
IC753	XS790A00	IC	TC74HC4052AF MPX	2300		ロジック IC 02
IC754	XS790A00	IC	TC74HC4052AF MPX	2300	J	ロジック IC 02
JK601	VS867300	CN	4P YKF51-5501	2300		ミニDINコネクタ 03
JK602	V9273500	CN. DIN	2P YKF51-5605	2300		DINコネクタ 2P
JK603	V9273500	CN. DIN	2P YKF51-5605	2300		DINコネクタ 2P
JK604	V9273500	CN. DIN	2P YKF51-5605	2300		DINコネクタ 2P
JK605	V9273500	CN. DIN	2P YKF51-5605	2300	UCA	DINコネクタ 2P
JK605	VS867300	CN	4P YKF51-5501	2300	JR TK	ミニDINコネクタ 03
L605	V2726100	COIL	33uH	2300		コイル 01
PJ551	V4199100	JACK. PIN	6P	2300		ピンジャック 6P
PJ552	VJ696300	JACK. PIN	4P	2300		ピンジャック 03
PJ553	V4199100	JACK. PIN	6P	2300	UCA	ピンジャック 6P
PJ553	VJ696300	JACK. PIN	4P	2300	JR TK	ピンジャック 03
PJ701	VV325000	JACK. PIN	2P	2300		ピンジャック 03
PJ702	VV325000	JACK. PIN	2P	2300		ピンジャック 03
PJ703	VV325000	JACK. PIN	2P	2300		ピンジャック 03
PJ704	VN134600	JACK. PIN	1P	2300	JR TK	ピンジャック 1P
PJ704	VV325000	JACK. PIN	2P	2300	UCA	ピンジャック 03
PJ705	V7189800	JACK. PIN	1P	2300		ピンジャック 1P
PJ751	V8143900	JACK. PIN	SHIELD YKC21-4348	2300		ピンジャック 9P 04
PN601	V9637500	PIN	V963750 L=70 #18	2300		スタイルピン
Q582	iC1815I0	TR	2SC1815 Y	2300		トランジスタ 01
Q583	iC174020	TR	2SC1740S R, S	2300		トランジスタ 01
Q601	iC174020	TR	2SC1740S R, S	2300		トランジスタ 01
Q604	iC174020	TR	2SC1740S R, S	2300		トランジスタ 01
Q605	iC174020	TR	2SC1740S R, S	2300		トランジスタ 01
Q606	iA1015I0	TR	2SA1015 Y	2300		トランジスタ 01
Q607	iC224030	TR	2SC2240 GR, BL	2300		トランジスタ 01
Q608	iC053540	TR	2SC535 A, B, C	2300		トランジスタ 01
Q609	iC287820	TR	2SC2878 A, B	2300		トランジスタ 01
Q610	iC174020	TR	2SC1740S R, S	2300		トランジスタ 01
Q611	iC174020	TR	2SC1740S R, S	2300		トランジスタ 01
Q701	iC174020	TR	2SC1740S R, S	2300		トランジスタ 01
R609	HV753220	R. CAR. FP	2.2Ω 1/4W	2300		不燃化カーボン抵抗 01
R625	HV755270	R. CAR. FP	270Ω 1/4W	2300		不燃化カーボン抵抗 01
R626	HV753220	R. CAR. FP	2.2Ω 1/4W	2300		不燃化カーボン抵抗 01

\* New Parts \* 新規部品(マーク#の部品は、基板に含まれません)

RX-V2300/DSP-AX2300  
RX-V1300/RX-V1300RDS/HTR-5590/DSP-AX1300

P.C.B. VIDEO & P.C.B. MAIN

Schm Ref.	PART NO.	Description	Remarks	Markets	部 品 名	Rank	
R635	HV755470	R. CAR. FP	470Ω 1/4W	2300		不燃化カーボン抵抗	01
R641	HV753100	R. CAR. FP	1Ω 1/4W	2300		不燃化カーボン抵抗	01
R642	HV753100	R. CAR. FP	1Ω 1/4W	2300		不燃化カーボン抵抗	01
R643	HV755470	R. CAR. FP	470Ω 1/4W	2300		不燃化カーボン抵抗	01
R648	HV755470	R. CAR. FP	470Ω 1/4W	2300		不燃化カーボン抵抗	01
R650	HV755470	R. CAR. FP	470Ω 1/4W	2300		不燃化カーボン抵抗	01
R668	HV755470	R. CAR. FP	470Ω 1/4W	2300		不燃化カーボン抵抗	01
R669	HV755470	R. CAR. FP	470Ω 1/4W	2300		不燃化カーボン抵抗	01
R686	HV755470	R. CAR. FP	470Ω 1/4W	2300		不燃化カーボン抵抗	01
R688	HV753470	R. CAR. FP	4.7Ω 1/4W	2300		不燃化カーボン抵抗	01
R693	HV753100	R. CAR. FP	1Ω 1/4W	2300	J	不燃化カーボン抵抗	01
R693	HV753100	R. CAR. FP	1Ω 1/4W	2300	UCA	不燃化カーボン抵抗	01
R716	HV755270	R. CAR. FP	270Ω 1/4W	2300		不燃化カーボン抵抗	01
R717	HV753220	R. CAR. FP	2.2Ω 1/4W	2300		不燃化カーボン抵抗	01
R719	HV753220	R. CAR. FP	2.2Ω 1/4W	2300		不燃化カーボン抵抗	01
R785	HV753100	R. CAR. FP	1Ω 1/4W	2300		不燃化カーボン抵抗	01
R786	HV753100	R. CAR. FP	1Ω 1/4W	2300		不燃化カーボン抵抗	01
R851	HV754470	R. CAR. FP	47Ω 1/4W	2300		不燃化カーボン抵抗	01
ST751	V4040500	SCR. TERM	M3	2300		スクリュー/ターミナル	01
SW551	VY811700	SW. SLIDE	SS029-P2022BJ6-PA6	2300	RTK	スライドSW	02
T601	V9243200	COIL	K5-MT/035067	2300	JUCA	ビデオコイルパック	
XL601	V9018400	RSNR. CRYST	14.3181MHz	2300	JUCRTK	水晶振動子	
XL601	V9018500	RSNR. CRYST	17.7344MHz	2300	A	水晶振動子	
	V9596000	P. C. B.	MAIN	1300	J	P C B メイン	
	V9596100	P. C. B.	MAIN	1300	UC	P C B メイン	
	V9596200	P. C. B.	MAIN	1300	RTKA	P C B メイン	
	V9596300	P. C. B.	MAIN	1300	BG	P C B メイン	
	V9596400	P. C. B.	MAIN	5590	UC	P C B メイン	
	V9596500	P. C. B.	MAIN	5590	TKA	P C B メイン	
CB1	V7826400	CN	14P TE TUC SERIES	1300, 5590		コネクタープラグ	
CB2	VB390500	CN. BS. PIN	9P	1300, 5590		コネクタベースポスト	03
CB5	VB389900	CN. BS. PIN	3P	1300, 5590		ベースピン	01
CB8	VB389900	CN. BS. PIN	3P	1300, 5590		ベースピン	01
CB9	VU271600	CN	16P	1300, 5590		FFCコネクタ	01
CB10	VB390100	CN. BS. PIN	5P	1300, 5590		ベースピン	01
CB11	VB858500	CN. BS. PIN	6P	1300, 5590		ベースピン	01
CB12	LB932060	CN. BS. PIN	6P	1300, 5590		ベースポスト	01
CB13	V7825400	CN	4P TE TUC SERIES	1300, 5590		コネクタープラグ	01
C1	VJ599100	C. CE. TUBLR	0.1uF 50V	1300, 5590		円筒セラコン	01
C2	VG291200	C. EL	47uF 50V	1300, 5590		ケミコン	01
C3	VG291200	C. EL	47uF 50V	1300, 5590		ケミコン	01
C4	VG291200	C. EL	47uF 50V	1300, 5590		ケミコン	01
C5	VG291200	C. EL	47uF 50V	1300, 5590		ケミコン	01
C6	VG291200	C. EL	47uF 50V	1300, 5590		ケミコン	01
C7	VG291200	C. EL	47uF 50V	1300, 5590		ケミコン	01
C8	V8584500	C. PP	100pF 630V	1300, 5590		PPコン	01
C9	UR367470	C. EL	47uF 50V	1300, 5590		ケミコン A S F	
C10	V8584500	C. PP	100pF 630V	1300, 5590		PPコン	01
C11	V8584500	C. PP	100pF 630V	1300, 5590		PPコン	01
C12	UR367470	C. EL	47uF 50V	1300, 5590		ケミコン A S F	

\* New Parts \* 新規部品(マーク#の部品は、基板に含まれません)

P.C.B. MAIN

Schm Ref.	PART NO.	Description	Remarks	Markets	部 品 名	Rank	
C13	V8584500	C. PP	100pF 630V	1300, 5590		PPコン	01
C14	V8584500	C. PP	100pF 630V	1300, 5590		PPコン	01
C15	V5618900	C. EL	47uF 25V	1300, 5590		ケミコン	01
C16	V8584500	C. PP	100pF 630V	1300, 5590		PPコン	01
C17	V8584500	C. PP	100pF 630V	1300, 5590		PPコン	01
C18	UR367470	C. EL	47uF 50V	1300, 5590		ケミコン	01
C19	V8584500	C. PP	100pF 630V	1300, 5590		PPコン	01
C20	V8584500	C. PP	100pF 630V	1300, 5590		PPコン	01
C21	VG287500	C. EL	47uF 50V	1300, 5590		ケミコン	01
C22	V8584500	C. PP	100pF 630V	1300, 5590		PPコン	01
C23	V8584500	C. PP	100pF 630V	1300, 5590		PPコン	01
C24	VG287500	C. EL	47uF 50V	1300, 5590		ケミコン	01
C25	V8584500	C. PP	100pF 630V	1300, 5590		PPコン	01
C26	VK399200	C. MYLAR. ML	0.39uF 50V	1300, 5590		積層マイラーコン	01
C27	VK399200	C. MYLAR. ML	0.39uF 50V	1300, 5590		積層マイラーコン	01
C28	VP918400	C. PP	0.047uF 100V	1300, 5590		PPコン	01
C29	VP918400	C. PP	0.047uF 100V	1300, 5590		PPコン	01
C30	UA654470	C. MYLAR	0.047uF 50V	1300, 5590		マイラーコン	01
C31	VP918400	C. PP	0.047uF 100V	1300, 5590		PPコン	01
C32	UA654470	C. MYLAR	0.047uF 50V	1300, 5590		マイラーコン	01
C33	UA654470	C. MYLAR	0.047uF 50V	1300, 5590		マイラーコン	01
* C34	UR397100	C. EL	10uF 100V	1300, 5590		ケミコン A S F	
* C35	UR397100	C. EL	10uF 100V	1300, 5590		ケミコン A S F	
* C36	UR397100	C. EL	10uF 100V	1300, 5590		ケミコン A S F	
* C37	UR397100	C. EL	10uF 100V	1300, 5590		ケミコン A S F	
C38	V9411200	C. EL	22uF 100V	1300, 5590		ケミコン R A - 2	
C39	UR858470	C. EL	470uF 35V	1300, 5590		ケミコン	01
C40	UR867100	C. EL	10uF 50V	1300, 5590		ケミコン	01
C41	UR867100	C. EL	10uF 50V	1300, 5590		ケミコン	01
C42	UR818220	C. EL	220uF 6.3V	1300, 5590		ケミコン	01
C43	UR866470	C. EL	4.7uF 50V	1300, 5590		ケミコン	01
C44	UR868100	C. EL	100uF 50V	1300, 5590		ケミコン	01
C45	UR867470	C. EL	47uF 50V	1300, 5590		ケミコン	01
* C46	V9411100	C. EL	10uF 100V	1300, 5590		ケミコン R A - 2	
C47	UA654100	C. MYLAR	0.01uF 50V	1300, 5590	RTKABG	マイラーコン	01
C48	UA654100	C. MYLAR	0.01uF 50V	1300, 5590	RTKABG	マイラーコン	01
C49	UA654100	C. MYLAR	0.01uF 50V	1300, 5590	RTKABG	マイラーコン	01
C50	UA654100	C. MYLAR	0.01uF 50V	1300, 5590	RTKABG	マイラーコン	01
C51	UA652100	C. MYLAR	100pF 50V	1300		マイラーコン	01
C52	UA652100	C. MYLAR	100pF 50V	1300		マイラーコン	01
C53	UA654100	C. MYLAR	0.01uF 50V	1300, 5590	RTKABG	マイラーコン	01
C54	VE326400	C. MYLAR. ML	0.22uF 50V	1300, 5590		積層マイラーコン	01
C55	VJ599100	C. CE. TUBLR	0.1uF 50V	1300, 5590		円筒セラコン	01
C56	UA654100	C. MYLAR	0.01uF 50V	1300, 5590	RTKABG	マイラーコン	01
C57	VL884600	C. PP	0.01uF 100V	1300, 5590		PPコン	01
C58	VF467300	C. CE. TUBLR	0.01uF 16V	1300		円筒セラコン	01
* C59	V9468800	C. EL	12000uF 71V	1300, 5590		ケミコン	
* C60	V9468800	C. EL	12000uF 71V	1300, 5590		ケミコン	
C61	VG291300	C. EL	100uF 50V	1300, 5590		ケミコン	01
C62	VG291300	C. EL	100uF 50V	1300, 5590		ケミコン	01
C63	UR866470	C. EL	4.7uF 50V	1300, 5590		ケミコン	01
C64	VR324900	C. MYLAR	0.1uF 100V	1300, 5590		マイラーコン	
C65	VR324900	C. MYLAR	0.1uF 100V	1300, 5590		マイラーコン	

\* New Parts \* 新規部品(マーク#の部品は、基板に含まれません)

RX-V2300/DSP-AX2300  
RX-V1300/RX-V1300RDS/HTR-5590/DSP-AX1300



P.C.B. MAIN

Schm Ref.	PART NO.	Description	Remarks	Markets	部 品 名	Rank	
C66	UA652100	C. MYLAR	100pF 50V	1300		マイラーコン	01
C67	UA652100	C. MYLAR	100pF 50V	1300		マイラーコン	01
C68	UA652100	C. MYLAR	100pF 50V	1300		マイラーコン	01
C69	UA652100	C. MYLAR	100pF 50V	1300		マイラーコン	01
C70	UA654100	C. MYLAR	0. 01uF 50V	1300, 5590		マイラーコン	01
C71	UA654100	C. MYLAR	0. 01uF 50V	1300, 5590	RTKABG	マイラーコン	01
C72	UA654100	C. MYLAR	0. 01uF 50V	1300, 5590		マイラーコン	01
C72	UA654100	C. MYLAR	0. 01uF 50V	1300, 5590	RTKABG	マイラーコン	01
C73	UA654100	C. MYLAR	0. 01uF 50V	1300, 5590	RTKABG	マイラーコン	01
C74	UA355100	C. MYLAR	0. 1uF 50V	1300, 5590		マイラーコン	01
C75	UA355100	C. MYLAR	0. 1uF 50V	1300, 5590		マイラーコン	01
C76	UA654100	C. MYLAR	0. 01uF 50V	1300, 5590		マイラーコン	01
C77	UR866470	C. EL	4. 7uF 50V	1300, 5590		ケミコン	01
C78	VF467300	C. CE. TUBLR	0. 01uF 16V	1300		円筒セラコン	01
C79	VF467300	C. CE. TUBLR	0. 01uF 16V	1300		円筒セラコン	01
C80	UA654100	C. MYLAR	0. 01uF 50V	1300, 5590		マイラーコン	01
C80	UA654100	C. MYLAR	0. 01uF 50V	1300, 5590	RTKABG	マイラーコン	01
C81	VJ599100	C. CE. TUBLR	0. 1uF 50V	1300, 5590		円筒セラコン	01
C82	VJ599100	C. CE. TUBLR	0. 1uF 50V	1300, 5590	RTKABG	円筒セラコン	01
D1	WA180300	DIODE	1SS244	1300, 5590		ダイオード	01
D2	WA180300	DIODE	1SS244	1300, 5590		ダイオード	01
D3	WA180300	DIODE	1SS244	1300, 5590		ダイオード	01
D4	WA180300	DIODE	1SS244	1300, 5590		ダイオード	01
D5	WA180300	DIODE	1SS244	1300, 5590		ダイオード	01
D6	WA180300	DIODE	1SS244	1300, 5590		ダイオード	01
D7	WA180300	DIODE	1SS244	1300, 5590		ダイオード	01
D8	WA180300	DIODE	1SS244	1300, 5590		ダイオード	01
D9	WA180300	DIODE	1SS244	1300, 5590		ダイオード	01
D10	WA180300	DIODE	1SS244	1300, 5590		ダイオード	01
D11	WA180300	DIODE	1SS244	1300, 5590		ダイオード	01
D12	WA180300	DIODE	1SS244	1300, 5590		ダイオード	01
D13	VG440300	DIODE. ZENR	MTZJ12C 12V	1300, 5590		ツェナーダイオード	01
D14	VG440300	DIODE. ZENR	MTZJ12C 12V	1300, 5590		ツェナーダイオード	01
D15	VG440300	DIODE. ZENR	MTZJ12C 12V	1300, 5590		ツェナーダイオード	01
D16	WA180300	DIODE	1SS244	1300, 5590		ダイオード	01
D17	WA180300	DIODE	1SS244	1300, 5590		ダイオード	01
D18	VG440300	DIODE. ZENR	MTZJ12C 12V	1300, 5590		ツェナーダイオード	01
D19	VD631600	DIODE	1SS133, 176	1300, 5590		ダイオード	01
D20	VG442600	DIODE. ZENR	MTZJ24C 24V	1300, 5590		ツェナーダイオード	01
D21	VD631600	DIODE	1SS133, 176	1300, 5590		ダイオード	01
D22	VG437200	DIODE. ZENR	MTZJ4. 7C 4. 7V	1300, 5590		ツェナーダイオード	01
D23	VG440300	DIODE. ZENR	MTZJ12C 12V	1300, 5590		ツェナーダイオード	01
D24	VG440300	DIODE. ZENR	MTZJ12C 12V	1300, 5590		ツェナーダイオード	01
D25	VG440300	DIODE. ZENR	MTZJ12C 12V	1300, 5590		ツェナーダイオード	01
D26	VG440300	DIODE. ZENR	MTZJ12C 12V	1300, 5590		ツェナーダイオード	01
D27	VD631600	DIODE	1SS133, 176	1300, 5590		ダイオード	01
D28	VD631600	DIODE	1SS133, 176	1300, 5590		ダイオード	01
▲ D29	VZ755200	DIODE. BRG	D15XB20 15A 200V	1300, 5590		ダイオードブリッジ	04
D30	WA180300	DIODE	1SS244	1300, 5590		ダイオード	01
D31	WA180300	DIODE	1SS244	1300, 5590		ダイオード	01
▲ D32	VS997800	DIODE	1T2	1300, 5590		ダイオード	01
▲ D33	VS997800	DIODE	1T2	1300, 5590		ダイオード	01
▲ D34	VS997800	DIODE	1T2	1300, 5590		ダイオード	01

\* New Parts \* 新規部品(マーク#の部品は、基板に含まれません)

P.C.B. MAIN

Schm Ref.	PART NO.	Description	Remarks	Markets	部 品 名	Rank	
△	D35	VS997800	DIODE	1T2	1300, 5590	ダイオード	01
	D36	WA180300	DIODE	1SS244	1300, 5590	ダイオード	01
	D37	WA180300	DIODE	1SS244	1300, 5590	ダイオード	01
	D38	VG443700	DIODE. ZENR	MTZJ33B 33V	1300, 5590	ツェナーダイオード	01
	D52	VD631600	DIODE	1SS133, 176	1300, 5590	ダイオード	01
	G1	VR463400	TERM. GND	D3. 5	1300, 5590	アース端子	01
	G2	V5995800	PLATE. GND		1300, 5590	アースプレート	
*	HS2	V9444100	HEAT. SINK	BPUE36-40	1300, 5590	ヒートシンク	
	IC1	X0515A00	IC	LM61CIZ THERMAL	1300, 5590	電源 I C	
	IC2	X0515A00	IC	LM61CIZ THERMAL	1300, 5590	電源 I C	
	L1	VU038200	COIL	0. 95uH	1300, 5590	コイル	02
	L2	VU038200	COIL	0. 95uH	1300, 5590	コイル	02
	L3	V2604200	COIL	1uH	1300, 5590	コイル	01
	L4	VU038200	COIL	0. 95uH	1300, 5590	コイル	02
	L5	V2604200	COIL	1uH	1300, 5590	コイル	01
	L6	V2604200	COIL	1uH	1300, 5590	コイル	01
*	PJ1	V9394200	JACK. PIN	HSP-242V1-02	1300	ピンジャック 2 P	
	PJ2	V7189700	JACK. PIN	1P	1300, 5590	ピンジャック 1 P	
*	PJ3	V9394200	JACK. PIN	HSP-242V1-02	1300	ピンジャック 2 P	
*	PJ4	V9394200	JACK. PIN	HSP-242V1-02	1300	ピンジャック 2 P	
	PN1	V3750200	PIN	L=70	1300, 5590	スタイルピン	
	PN2	V3750200	PIN	L=70	1300, 5590	スタイルピン	
	PN3	V3750200	PIN	L=70	1300, 5590	スタイルピン	
	PN4	V3750200	PIN	L=70	1300, 5590	スタイルピン	
	Q1	VK432900	TR	2SD1915F S, T	1300, 5590	トランジスタ	01
	Q2	VK432900	TR	2SD1915F S, T	1300, 5590	トランジスタ	01
	Q3	VK432900	TR	2SD1915F S, T	1300, 5590	トランジスタ	01
	Q4	VK432900	TR	2SD1915F S, T	1300, 5590	トランジスタ	01
	Q5	VK432900	TR	2SD1915F S, T	1300, 5590	トランジスタ	01
	Q6	VK432900	TR	2SD1915F S, T	1300, 5590	トランジスタ	01
△	Q7	VQ116600	TR. PAIR	2SA1837/C4793 0, Y	1300, 5590	ペアトランジスタ	04
△	Q9	VQ116600	TR. PAIR	2SA1837/C4793 0, Y	1300, 5590	ペアトランジスタ	04
△	Q11	VQ116600	TR. PAIR	2SA1837/C4793 0, Y	1300, 5590	ペアトランジスタ	04
△	Q13	VQ116600	TR. PAIR	2SA1837/C4793 0, Y	1300, 5590	ペアトランジスタ	04
△	Q15	VQ116600	TR. PAIR	2SA1837/C4793 0, Y	1300, 5590	ペアトランジスタ	04
△	Q17	VQ116600	TR. PAIR	2SA1837/C4793 0, Y	1300, 5590	ペアトランジスタ	04
△	Q19	VY760300	TR. PAIR	2SA1492/C3856 OPY	1300, 5590	ペアトランジスタ	05
△	Q21	VY760300	TR. PAIR	2SA1492/C3856 OPY	1300, 5590	ペアトランジスタ	05
△	Q23	VY760300	TR. PAIR	2SA1492/C3856 OPY	1300, 5590	ペアトランジスタ	05
△	Q25	VY760300	TR. PAIR	2SA1492/C3856 OPY	1300, 5590	ペアトランジスタ	05
△	Q27	VY760300	TR. PAIR	2SA1492/C3856 OPY	1300, 5590	ペアトランジスタ	05
△	Q29	VY760300	TR. PAIR	2SA1492/C3856 OPY	1300, 5590	ペアトランジスタ	05
	Q31	VP883100	TR	2SC1890A D, E	1300, 5590	トランジスタ	01
	Q32	VP883100	TR	2SC1890A D, E	1300, 5590	トランジスタ	01
	Q33	VP883100	TR	2SC1890A D, E	1300, 5590	トランジスタ	01
	Q34	VP883100	TR	2SC1890A D, E	1300, 5590	トランジスタ	01
	Q35	VP883100	TR	2SC1890A D, E	1300, 5590	トランジスタ	01
	Q36	VP883100	TR	2SC1890A D, E	1300, 5590	トランジスタ	01
	Q37	iC1815I0	TR	2SC1815 Y	1300, 5590	トランジスタ	01
	Q38	iC1815I0	TR	2SC1815 Y	1300, 5590	トランジスタ	01
	Q39	VS883300	TR	2SB1565 E, F	1300, 5590	トランジスタ	02
	Q40	VP883000	TR	2SA893A D, E	1300, 5590	トランジスタ	01
	Q41	VC141900	TR	2SB941 P, Q	1300, 5590	トランジスタ	04

\* New Parts \* 新規部品(マーク#の部品は、基板に含まれません)

RX-V2300/DSP-AX2300  
RX-V1300/RX-V1300RDS/HTR-5590/DSP-AX1300

P.C.B. MAIN

Schm Ref.	PART NO.	Description	Remarks	Markets	部 品 名	Rank	
Q42	VP883000	TR	2SA893A D, E	1300, 5590		トランジスタ	01
Q43	iC1815I0	TR	2SC1815 Y	1300, 5590		トランジスタ	01
Q44	iA097030	TR	2SA970 GR, BL	1300, 5590		トランジスタ	01
Q45	iC287820	TR	2SC2878 A, B	1300		トランジスタ	01
Q46	iC287820	TR	2SC2878 A, B	1300		トランジスタ	01
Q47	iC1815I0	TR	2SC1815 Y	1300, 5590		トランジスタ	01
Q48	iC1815I0	TR	2SC1815 Y	1300, 5590		トランジスタ	01
Q49	iC1815I0	TR	2SC1815 Y	1300, 5590		トランジスタ	01
Q50	iA1015I0	TR	2SA1015 Y	1300, 5590		トランジスタ	01
R1	VP941600	R. MTL. OXD	5.6KΩ 1W	1300, 5590		酸化金属被膜抵抗	01
R2	VP941600	R. MTL. OXD	5.6KΩ 1W	1300, 5590		酸化金属被膜抵抗	01
R3	VP941600	R. MTL. OXD	5.6KΩ 1W	1300, 5590		酸化金属被膜抵抗	01
R4	VP941600	R. MTL. OXD	5.6KΩ 1W	1300, 5590		酸化金属被膜抵抗	01
R5	VP941600	R. MTL. OXD	5.6KΩ 1W	1300, 5590		酸化金属被膜抵抗	01
R6	VP941600	R. MTL. OXD	5.6KΩ 1W	1300, 5590		酸化金属被膜抵抗	01
R7	VP941600	R. MTL. OXD	5.6KΩ 1W	1300, 5590		酸化金属被膜抵抗	01
R8	VP941600	R. MTL. OXD	5.6KΩ 1W	1300, 5590		酸化金属被膜抵抗	01
R9	VP941600	R. MTL. OXD	5.6KΩ 1W	1300, 5590		酸化金属被膜抵抗	01
R10	VP941600	R. MTL. OXD	5.6KΩ 1W	1300, 5590		酸化金属被膜抵抗	01
R11	VP941600	R. MTL. OXD	5.6KΩ 1W	1300, 5590		酸化金属被膜抵抗	01
R12	VP941600	R. MTL. OXD	5.6KΩ 1W	1300, 5590		酸化金属被膜抵抗	01
R13	V3946100	R. MTL. OXD	2.7KΩ 0.5W	1300, 5590		酸化金属被膜抵抗	01
R14	V3945100	R. MTL. OXD	390Ω 0.5W	1300, 5590		酸化金属被膜抵抗	01
R15	V3945500	R. MTL. OXD	820Ω 0.5W	1300, 5590		酸化金属被膜抵抗	01
R16	HV755100	R. CAR. FP	100Ω 1/4W	1300, 5590		不燃化カーボン抵抗	01
R17	V3946100	R. MTL. OXD	2.7KΩ 0.5W	1300, 5590		酸化金属被膜抵抗	01
R18	V3945100	R. MTL. OXD	390Ω 0.5W	1300, 5590		酸化金属被膜抵抗	01
R19	V3945500	R. MTL. OXD	820Ω 0.5W	1300, 5590		酸化金属被膜抵抗	01
R20	HV755100	R. CAR. FP	100Ω 1/4W	1300, 5590		不燃化カーボン抵抗	01
R21	V3946100	R. MTL. OXD	2.7KΩ 0.5W	1300, 5590		酸化金属被膜抵抗	01
R22	V3945100	R. MTL. OXD	390Ω 0.5W	1300, 5590		酸化金属被膜抵抗	01
R23	V3945500	R. MTL. OXD	820Ω 0.5W	1300, 5590		酸化金属被膜抵抗	01
R24	HV755100	R. CAR. FP	100Ω 1/4W	1300, 5590		不燃化カーボン抵抗	01
R25	V3946100	R. MTL. OXD	2.7KΩ 0.5W	1300, 5590		酸化金属被膜抵抗	01
R26	V3945100	R. MTL. OXD	390Ω 0.5W	1300, 5590		酸化金属被膜抵抗	01
R27	V3945500	R. MTL. OXD	820Ω 0.5W	1300, 5590		酸化金属被膜抵抗	01
R28	HV755100	R. CAR. FP	100Ω 1/4W	1300, 5590		不燃化カーボン抵抗	01
R29	V3946100	R. MTL. OXD	2.7KΩ 0.5W	1300, 5590		酸化金属被膜抵抗	01
R30	V3945100	R. MTL. OXD	390Ω 0.5W	1300, 5590		酸化金属被膜抵抗	01
R31	V3945500	R. MTL. OXD	820Ω 0.5W	1300, 5590		酸化金属被膜抵抗	01
R32	HV755100	R. CAR. FP	100Ω 1/4W	1300, 5590		不燃化カーボン抵抗	01
R33	V3946100	R. MTL. OXD	2.7KΩ 0.5W	1300, 5590		酸化金属被膜抵抗	01
R34	V3945100	R. MTL. OXD	390Ω 0.5W	1300, 5590		酸化金属被膜抵抗	01
R35	V3945500	R. MTL. OXD	820Ω 0.5W	1300, 5590		酸化金属被膜抵抗	01
R36	HV755100	R. CAR. FP	100Ω 1/4W	1300, 5590		不燃化カーボン抵抗	01
R37	V3945600	R. MTL. OXD	1KΩ 0.5W	1300, 5590		酸化金属被膜抵抗	01
R38	V3945600	R. MTL. OXD	1KΩ 0.5W	1300, 5590		酸化金属被膜抵抗	01
R39	V3945600	R. MTL. OXD	1KΩ 0.5W	1300, 5590		酸化金属被膜抵抗	01
R40	V3945600	R. MTL. OXD	1KΩ 0.5W	1300, 5590		酸化金属被膜抵抗	01
R41	V3945600	R. MTL. OXD	1KΩ 0.5W	1300, 5590		酸化金属被膜抵抗	01
R42	V3945600	R. MTL. OXD	1KΩ 0.5W	1300, 5590		酸化金属被膜抵抗	01
R43	V3944800	R. MTL. OXD	220Ω 0.5W	1300, 5590		酸化金属被膜抵抗	01
R44	V3944800	R. MTL. OXD	220Ω 0.5W	1300, 5590		酸化金属被膜抵抗	01

\* New Parts \* 新規部品(マーク#の部品は、基板に含まれません)

P.C.B. MAIN

Schm Ref.	PART NO.	Description	Remarks	Markets	部 品 名	Rank	
R45	V3944800	R. MTL. OXD	220Ω 0.5W	1300, 5590		酸化金属被膜抵抗	01
R46	V3944800	R. MTL. OXD	220Ω 0.5W	1300, 5590		酸化金属被膜抵抗	01
R47	V3944800	R. MTL. OXD	220Ω 0.5W	1300, 5590		酸化金属被膜抵抗	01
R48	V3944800	R. MTL. OXD	220Ω 0.5W	1300, 5590		酸化金属被膜抵抗	01
R49	VP939700	R. MTL. FLM	4.7Ω 1W	1300, 5590		金属被膜抵抗	01
R50	VP939700	R. MTL. FLM	4.7Ω 1W	1300, 5590		金属被膜抵抗	01
R51	VP939700	R. MTL. FLM	4.7Ω 1W	1300, 5590		金属被膜抵抗	01
R52	VP939700	R. MTL. FLM	4.7Ω 1W	1300, 5590		金属被膜抵抗	01
R53	VP939700	R. MTL. FLM	4.7Ω 1W	1300, 5590		金属被膜抵抗	01
R54	VP939700	R. MTL. FLM	4.7Ω 1W	1300, 5590		金属被膜抵抗	01
R55	VP939700	R. MTL. FLM	4.7Ω 1W	1300, 5590		金属被膜抵抗	01
R56	VP939700	R. MTL. FLM	4.7Ω 1W	1300, 5590		金属被膜抵抗	01
R57	VP939700	R. MTL. FLM	4.7Ω 1W	1300, 5590		金属被膜抵抗	01
R58	VP939700	R. MTL. FLM	4.7Ω 1W	1300, 5590		金属被膜抵抗	01
R59	VP939700	R. MTL. FLM	4.7Ω 1W	1300, 5590		金属被膜抵抗	01
R60	VP939700	R. MTL. FLM	4.7Ω 1W	1300, 5590		金属被膜抵抗	01
R61	V3873200	R. WW	0.22Ω 3W	1300, 5590		セメント抵抗	02
R62	V3873200	R. WW	0.22Ω 3W	1300, 5590		セメント抵抗	02
R63	VU981700	R. MTL. PLAT	0.22Ω+0.22 3W	1300, 5590		金属板抵抗	02
R67	V3873200	R. WW	0.22Ω 3W	1300, 5590		セメント抵抗	02
R68	VU981700	R. MTL. PLAT	0.22Ω+0.22 3W	1300, 5590		金属板抵抗	02
R69	VU981700	R. MTL. PLAT	0.22Ω+0.22 3W	1300, 5590		金属板抵抗	02
R88	VP939800	R. MTL. OXD	10Ω 1W	1300, 5590		酸化金属被膜抵抗	01
R90	VP939800	R. MTL. OXD	10Ω 1W	1300, 5590		酸化金属被膜抵抗	01
R92	VP939800	R. MTL. OXD	10Ω 1W	1300, 5590		酸化金属被膜抵抗	01
R94	VP939800	R. MTL. OXD	10Ω 1W	1300, 5590		酸化金属被膜抵抗	01
R96	VP939800	R. MTL. OXD	10Ω 1W	1300, 5590		酸化金属被膜抵抗	01
R98	VP939800	R. MTL. OXD	10Ω 1W	1300, 5590		酸化金属被膜抵抗	01
R102	HV753470	R. CAR. FP	4.7Ω 1/4W	1300, 5590	RTKABG	不燃化カーボン抵抗	01
R102	HV754100	R. CAR. FP	10Ω 1/4W	1300, 5590	JUC	不燃化カーボン抵抗	01
R103	HV753470	R. CAR. FP	4.7Ω 1/4W	1300, 5590	RTKABG	不燃化カーボン抵抗	01
R103	HV754100	R. CAR. FP	10Ω 1/4W	1300, 5590	JUC	不燃化カーボン抵抗	01
R104	HV754100	R. CAR. FP	10Ω 1/4W	1300, 5590		不燃化カーボン抵抗	01
R108	HV754100	R. CAR. FP	10Ω 1/4W	1300, 5590		不燃化カーボン抵抗	01
R109	HV754100	R. CAR. FP	10Ω 1/4W	1300, 5590		不燃化カーボン抵抗	01
R110	HV754100	R. CAR. FP	10Ω 1/4W	1300, 5590		不燃化カーボン抵抗	01
R113	VP939500	R. MTL. FLM	1Ω 1W	1300, 5590		金属被膜抵抗	01
R114	VP939500	R. MTL. FLM	1Ω 1W	1300, 5590		金属被膜抵抗	01
R115	VP940900	R. MTL. OXD	560Ω 1W	1300, 5590		酸化金属被膜抵抗	01
R117	VP940900	R. MTL. OXD	560Ω 1W	1300, 5590		酸化金属被膜抵抗	01
R126	HV756470	R. CAR. FP	4.7KΩ 1/4W	1300, 5590		不燃化カーボン抵抗	01
R127	HV755100	R. CAR. FP	100Ω 1/4W	1300, 5590		不燃化カーボン抵抗	01
R128	VP939800	R. MTL. OXD	10Ω 1W	1300, 5590		酸化金属被膜抵抗	01
R130	HV756330	R. CAR. FP	3.3KΩ 1/4W	1300, 5590		不燃化カーボン抵抗	01
R137	HV754100	R. CAR. FP	10Ω 1/4W	1300, 5590		不燃化カーボン抵抗	01
R141	V3873200	R. WW	0.22Ω 3W	1300, 5590		セメント抵抗	02
R142	HV754100	R. CAR. FP	10Ω 1/4W	1300, 5590		不燃化カーボン抵抗	01
R147	HV756150	R. CAR. FP	1.5KΩ 1/4W	1300, 5590		不燃化カーボン抵抗	01
R155	VP940900	R. MTL. OXD	560Ω 1W	1300, 5590		酸化金属被膜抵抗	01
R160	VP940900	R. MTL. OXD	560Ω 1W	1300, 5590		酸化金属被膜抵抗	01
R167	HV756100	R. CAR. FP	1KΩ 1/4W	1300, 5590		不燃化カーボン抵抗	01
R169	HV755100	R. CAR. FP	100Ω 1/4W	1300, 5590		不燃化カーボン抵抗	01
R184	HV753100	R. CAR. FP	1Ω 1/4W	1300, 5590		不燃化カーボン抵抗	01

\* New Parts \* 新規部品(マーク#の部品は、基板に含まれません)

RX-V2300/DSP-AX2300  
RX-V1300/RX-V1300RDS/HTR-5590/DSP-AX1300

**P.C.B. MAIN**

Schm Ref.	PART NO.	Description	Remarks	Markets	部 品 名	Rank	
△ R185	HV753100	R. CAR. FP	1Ω 1/4W	1300, 5590		不燃化カーボン抵抗	01
RY1	V6322600	RELAY	DC DH24D2-OT(M)-SL	1300, 5590		リレー 24V	04
RY2	V6322600	RELAY	DC DH24D2-OT(M)-SL	1300, 5590		リレー 24V	04
RY4	V6322600	RELAY	DC DH24D2-OT(M)-SL	1300, 5590		リレー 24V	04
RY5	V6322600	RELAY	DC DH24D2-OT(M)-SL	1300, 5590		リレー 24V	04
△ SW3	V4104200	SW. SLIDE	SL13B-022-AMCS	1300, 5590	UCRDKABG	スライドSW	03
* TE1	V9458900	TERM. SP	LTS0810-1015	1300, 5590	BG	スピーカターミナル 8P	
* TE1	V9459000	TERM. SP	LTS0810-1016	1300, 5590	JUCRKA	スピーカターミナル 8P	
* TE2	V9458900	TERM. SP	LTS0810-1015	1300, 5590	BG	スピーカターミナル 8P	
* TE2	V9459000	TERM. SP	LTS0810-1016	1300, 5590	JUCRKA	スピーカターミナル 8P	
* EP600140		SCR. BND. HD	3x10 MFZN2BL	1300, 5590		バインドBタイトネジ	01
* V9811000		SUPRT		1300, 5590		サポート/TR	
* V9596600		P. C. B.	MAIN	2300	J	P C B メイン	
* V9596700		P. C. B.	MAIN	2300	UC	P C B メイン	
* V9596800		P. C. B.	MAIN	2300	RTK	P C B メイン	
* V9596900		P. C. B.	MAIN	2300	A	P C B メイン	
CB1	V7826400	CN	14P TE TUC SERIES	2300		コネクタープラグ	
CB2	VB390500	CN. BS. PIN	9P	2300		コネクタベースポスト	03
CB5	VB389900	CN. BS. PIN	3P	2300		ベースピン	01
CB8	VB389900	CN. BS. PIN	3P	2300		ベースピン	01
CB9	VU271600	CN	16P	2300		FFCコネクタ	01
CB10	VB390100	CN. BS. PIN	5P	2300		ベースピン	01
CB11	VB858500	CN. BS. PIN	6P	2300		ベースピン	01
* CB12	LB932060	CN. BS. PIN	6P	2300		ベースポスト	01
CB13	V7825400	CN	4P TE TUC SERIES	2300		コネクタープラグ	01
CB21	LB918050	CN. BS. PIN	5P	2300	UCA	ベース付ポスト	01
C1	VJ599100	C. CE. TUBLR	0. 1uF 50V	2300		円筒セラコン	01
C2	VG291200	C. EL	47uF 50V	2300		ケミコン	01
C3	VG291200	C. EL	47uF 50V	2300		ケミコン	01
C4	VG291200	C. EL	47uF 50V	2300		ケミコン	01
C5	VG291200	C. EL	47uF 50V	2300		ケミコン	01
C6	VG291200	C. EL	47uF 50V	2300		ケミコン	01
C7	VG291200	C. EL	47uF 50V	2300		ケミコン	01
C8	V8584500	C. PP	100pF 630V	2300		PPコン	01
* C9	UR367470	C. EL	47uF 50V	2300		ケミコン A S F	
C10	V8584500	C. PP	100pF 630V	2300		PPコン	01
C11	V8584500	C. PP	100pF 630V	2300		PPコン	01
* C12	UR367470	C. EL	47uF 50V	2300		ケミコン A S F	
C13	V8584500	C. PP	100pF 630V	2300		PPコン	01
C14	V8584500	C. PP	100pF 630V	2300		PPコン	01
C15	V5618900	C. EL	47uF 25V	2300		ケミコン	01
C16	V8584500	C. PP	100pF 630V	2300		PPコン	01
C17	V8584500	C. PP	100pF 630V	2300		PPコン	01
C18	UR367470	C. EL	47uF 50V	2300		ケミコン	
C19	V8584500	C. PP	100pF 630V	2300		PPコン	01
C20	V8584500	C. PP	100pF 630V	2300		PPコン	01
C21	VG287500	C. EL	47uF 50V	2300		ケミコン	01
C22	V8584500	C. PP	100pF 630V	2300		PPコン	01
C23	V8584500	C. PP	100pF 630V	2300		PPコン	01
C24	VG287500	C. EL	47uF 50V	2300		ケミコン	01

\* New Parts \* 新規部品(マーク#の部品は、基板に含まれません)

RX-V2300/DSP-AX2300  
RX-V1300/RX-V1300RDS/HTR-5590/DSP-AX1300

P.C.B. MAIN

Schm Ref.	PART NO.	Description	Remarks	Markets	部 品 名	Rank	
C25	V8584500	C. PP	100pF 630V	2300		PPコン	01
C26	VK399200	C. MYLAR. ML	0.39uF 50V	2300		積層マイラーコン	01
C27	VK399200	C. MYLAR. ML	0.39uF 50V	2300		積層マイラーコン	01
C28	VP918400	C. PP	0.047uF 100V	2300		PPコン	01
C29	VP918400	C. PP	0.047uF 100V	2300		PPコン	01
C30	UA654470	C. MYLAR	0.047uF 50V	2300		マイラーコン	01
C31	VP918400	C. PP	0.047uF 100V	2300		PPコン	01
C32	UA654470	C. MYLAR	0.047uF 50V	2300		マイラーコン	01
C33	UA654470	C. MYLAR	0.047uF 50V	2300		マイラーコン	01
* C34	UR397100	C. EL	10uF 100V	2300		ケミコン A S F	
* C35	UR397100	C. EL	10uF 100V	2300		ケミコン A S F	
* C36	UR397100	C. EL	10uF 100V	2300		ケミコン A S F	
* C37	UR397100	C. EL	10uF 100V	2300		ケミコン A S F	
C38	V9411200	C. EL	22uF 100V	2300		ケミコン R A - 2	
C39	UR858470	C. EL	470uF 35V	2300		ケミコン	01
C40	UR867100	C. EL	10uF 50V	2300		ケミコン	01
C41	UR867100	C. EL	10uF 50V	2300		ケミコン	01
C42	UR818220	C. EL	220uF 6.3V	2300		ケミコン	01
C43	UR866470	C. EL	4.7uF 50V	2300		ケミコン	01
C44	UR868100	C. EL	100uF 50V	2300		ケミコン	01
C45	UR867470	C. EL	47uF 50V	2300		ケミコン	01
* C46	V9411100	C. EL	10uF 100V	2300		ケミコン R A - 2	
C47	UA654100	C. MYLAR	0.01uF 50V	2300	RTKA	マイラーコン	01
C48	UA654100	C. MYLAR	0.01uF 50V	2300	RTKA	マイラーコン	01
C49	UA654100	C. MYLAR	0.01uF 50V	2300	RTKA	マイラーコン	01
C50	UA654100	C. MYLAR	0.01uF 50V	2300	RTKA	マイラーコン	01
C51	UA652100	C. MYLAR	100pF 50V	2300		マイラーコン	01
C52	UA652100	C. MYLAR	100pF 50V	2300		マイラーコン	01
C53	UA654100	C. MYLAR	0.01uF 50V	2300	RTKA	マイラーコン	01
C54	VE326400	C. MYLAR. ML	0.22uF 50V	2300		積層マイラーコン	01
C55	VJ599100	C. CE. TUBLR	0.1uF 50V	2300		円筒セラコン	01
C56	UA654100	C. MYLAR	0.01uF 50V	2300	RTKA	マイラーコン	01
C57	VL884600	C. PP	0.01uF 100V	2300		PPコン	
C58	VF467300	C. CE. TUBLR	0.01uF 16V	2300		円筒セラコン	01
* C59	V9468900	C. EL	15000uF 71V	2300		ケミコン	
* C60	V9468900	C. EL	15000uF 71V	2300		ケミコン	
C61	VG291300	C. EL	100uF 50V	2300		ケミコン	01
C62	VG291300	C. EL	100uF 50V	2300		ケミコン	01
C63	UR866470	C. EL	4.7uF 50V	2300		ケミコン	01
C64	VR324900	C. MYLAR	0.1uF 100V	2300		マイラーコン	
C65	VR324900	C. MYLAR	0.1uF 100V	2300		マイラーコン	
C66	UA652100	C. MYLAR	100pF 50V	2300		マイラーコン	01
C67	UA652100	C. MYLAR	100pF 50V	2300		マイラーコン	01
C68	UA652100	C. MYLAR	100pF 50V	2300		マイラーコン	01
C69	UA652100	C. MYLAR	100pF 50V	2300		マイラーコン	01
C70	UA654100	C. MYLAR	0.01uF 50V	2300		マイラーコン	01
C71	UA654100	C. MYLAR	0.01uF 50V	2300	RTKA	マイラーコン	01
C72	UA654100	C. MYLAR	0.01uF 50V	2300	RTKA	マイラーコン	01
C73	UA654100	C. MYLAR	0.01uF 50V	2300	RTKA	マイラーコン	01
C74	UA355100	C. MYLAR	0.1uF 50V	2300		マイラーコン	01
C75	UA355100	C. MYLAR	0.1uF 50V	2300		マイラーコン	01
C76	UA654100	C. MYLAR	0.01uF 50V	2300		マイラーコン	01
C77	UR866470	C. EL	4.7uF 50V	2300		ケミコン	01

\* New Parts \* 新規部品(マーク#の部品は、基板に含まれません)

RX-V2300/DSP-AX2300  
RX-V1300/RX-V1300RDS/HTR-5590/DSP-AX1300

P.C.B. MAIN

Schm Ref.	PART NO.	Description	Remarks	Markets	部 品 名	Rank	
C78	VF467300	C. CE. TUBLR	0.01uF 16V	2300		円筒セラコン	01
C79	VF467300	C. CE. TUBLR	0.01uF 16V	2300		円筒セラコン	01
C80	UA654100	C. MYLAR	0.01uF 50V	2300	RTKA	マイラーコン	01
C81	VJ599100	C. CE. TUBLR	0.1uF 50V	2300		円筒セラコン	01
C90	UA654100	C. MYLAR	0.01uF 50V	2300	A	マイラーコン	01
C91	UA654100	C. MYLAR	0.01uF 50V	2300	A	マイラーコン	01
C92	UA654100	C. MYLAR	0.01uF 50V	2300	A	マイラーコン	01
D1	WA180300	DIODE	1SS244	2300		ダイオード	01
D2	WA180300	DIODE	1SS244	2300		ダイオード	01
D3	WA180300	DIODE	1SS244	2300		ダイオード	01
D4	WA180300	DIODE	1SS244	2300		ダイオード	01
D5	WA180300	DIODE	1SS244	2300		ダイオード	01
D6	WA180300	DIODE	1SS244	2300		ダイオード	01
D7	WA180300	DIODE	1SS244	2300		ダイオード	01
D8	WA180300	DIODE	1SS244	2300		ダイオード	01
D9	WA180300	DIODE	1SS244	2300		ダイオード	01
D10	WA180300	DIODE	1SS244	2300		ダイオード	01
D11	WA180300	DIODE	1SS244	2300		ダイオード	01
D12	WA180300	DIODE	1SS244	2300		ダイオード	01
D13	VG440300	DIODE. ZENR	MTZJ12C 12V	2300		ツェナーダイオード	01
D14	VG440300	DIODE. ZENR	MTZJ12C 12V	2300		ツェナーダイオード	01
D15	VG440300	DIODE. ZENR	MTZJ12C 12V	2300		ツェナーダイオード	01
D16	WA180300	DIODE	1SS244	2300		ダイオード	01
D17	WA180300	DIODE	1SS244	2300		ダイオード	01
D18	VG440300	DIODE. ZENR	MTZJ12C 12V	2300		ツェナーダイオード	01
D19	VD631600	DIODE	1SS133, 176	2300		ダイオード	01
D20	VG442600	DIODE. ZENR	MTZJ24C 24V	2300		ツェナーダイオード	01
D21	VD631600	DIODE	1SS133, 176	2300		ダイオード	01
D22	VG437200	DIODE. ZENR	MTZJ4.7C 4.7V	2300		ツェナーダイオード	01
D23	VG440300	DIODE. ZENR	MTZJ12C 12V	2300		ツェナーダイオード	01
D24	VG440300	DIODE. ZENR	MTZJ12C 12V	2300		ツェナーダイオード	01
D25	VG440300	DIODE. ZENR	MTZJ12C 12V	2300		ツェナーダイオード	01
D26	VG440300	DIODE. ZENR	MTZJ12C 12V	2300		ツェナーダイオード	01
D27	VD631600	DIODE	1SS133, 176	2300		ダイオード	01
D28	VD631600	DIODE	1SS133, 176	2300		ダイオード	01
▲ D29	VZ755200	DIODE. BRG	D15XB20 15A 200V	2300		ダイオードブリッジ	04
D30	WA180300	DIODE	1SS244	2300		ダイオード	01
D31	WA180300	DIODE	1SS244	2300		ダイオード	01
▲ D32	VS997800	DIODE	1T2	2300		ダイオード	01
▲ D33	VS997800	DIODE	1T2	2300		ダイオード	01
▲ D34	VS997800	DIODE	1T2	2300		ダイオード	01
▲ D35	VS997800	DIODE	1T2	2300		ダイオード	01
D36	WA180300	DIODE	1SS244	2300		ダイオード	01
D37	WA180300	DIODE	1SS244	2300		ダイオード	01
D38	VG443700	DIODE. ZENR	MTZJ33B 33V	2300		ツェナーダイオード	01
D50	VG440300	DIODE. ZENR	MTZJ12C 12V	2300	UCA	ツェナーダイオード	01
D51	VG440300	DIODE. ZENR	MTZJ12C 12V	2300	UCA	ツェナーダイオード	01
D52	VD631600	DIODE	1SS133, 176	2300		ダイオード	01
G1	VR463400	TERM. GND	D3.5	2300		アース端子	01
G2	V5995800	PLATE. GND		2300		アースプレート	
* HS2	V9444100	HEAT. SINK	BPUE36-40	2300		ヒートシンク	
IC1	X0515A00	IC	LM61CIZ THERMAL	2300		電源 IC	
IC2	X0515A00	IC	LM61CIZ THERMAL	2300		電源 IC	

\* New Parts \* 新規部品(マーク#の部品は、基板に含まれません)

RX-V1300/RX-V1300RDS/HTR-5590/DSP-AX1300  
RX-V2300/DSP-AX2300

P.C.B. MAIN

Schm Ref.	PART NO.	Description	Remarks	Markets	部 品 名	Rank	
L1	VU038200	COIL	0.95uH	2300		コイル	02
L2	VU038200	COIL	0.95uH	2300		コイル	02
L3	V2604200	COIL	1uH	2300		コイル	01
L4	VU038200	COIL	0.95uH	2300		コイル	02
L5	V2604200	COIL	1uH	2300		コイル	01
L6	V2604200	COIL	1uH	2300		コイル	01
* PJ1	V9394200	JACK. PIN	HSP-242V1-02	2300		ピンジャック 2 P	
* PJ2	V7189700	JACK. PIN	1P	2300		ピンジャック 1 P	
* PJ3	V9394200	JACK. PIN	HSP-242V1-02	2300		ピンジャック 2 P	
* PJ4	V9394200	JACK. PIN	HSP-242V1-02	2300		ピンジャック 2 P	
PN1	V3750200	PIN	L=70	2300		スタイルピン	
PN2	V3750200	PIN	L=70	2300		スタイルピン	
PN3	V3750200	PIN	L=70	2300		スタイルピン	
PN4	V3750200	PIN	L=70	2300		スタイルピン	
Q1	VK432900	TR	2SD1915F S,T	2300		トランジスタ	01
Q2	VK432900	TR	2SD1915F S,T	2300		トランジスタ	01
Q3	VK432900	TR	2SD1915F S,T	2300		トランジスタ	01
Q4	VK432900	TR	2SD1915F S,T	2300		トランジスタ	01
Q5	VK432900	TR	2SD1915F S,T	2300		トランジスタ	01
Q6	VK432900	TR	2SD1915F S,T	2300		トランジスタ	01
△ Q7	VQ116600	TR. PAIR	2SA1837/C4793 0,Y	2300		ペアトランジスタ	04
△ Q9	VQ116600	TR. PAIR	2SA1837/C4793 0,Y	2300		ペアトランジスタ	04
△ Q11	VQ116600	TR. PAIR	2SA1837/C4793 0,Y	2300		ペアトランジスタ	04
△ Q13	VQ116600	TR. PAIR	2SA1837/C4793 0,Y	2300		ペアトランジスタ	04
△ Q15	VQ116600	TR. PAIR	2SA1837/C4793 0,Y	2300		ペアトランジスタ	04
△ Q17	VQ116600	TR. PAIR	2SA1837/C4793 0,Y	2300		ペアトランジスタ	04
△ Q19	VY760300	TR. PAIR	2SA1492/C3856 OPY	2300		ペアトランジスタ	05
△ Q21	VY760300	TR. PAIR	2SA1492/C3856 OPY	2300		ペアトランジスタ	05
△ Q23	VY760300	TR. PAIR	2SA1492/C3856 OPY	2300		ペアトランジスタ	05
△ Q25	VY760300	TR. PAIR	2SA1492/C3856 OPY	2300		ペアトランジスタ	05
△ Q27	VY760300	TR. PAIR	2SA1492/C3856 OPY	2300		ペアトランジスタ	05
△ Q29	VY760300	TR. PAIR	2SA1492/C3856 OPY	2300		ペアトランジスタ	05
Q31	VP883100	TR	2SC1890A D,E	2300		トランジスタ	01
Q32	VP883100	TR	2SC1890A D,E	2300		トランジスタ	01
Q33	VP883100	TR	2SC1890A D,E	2300		トランジスタ	01
Q34	VP883100	TR	2SC1890A D,E	2300		トランジスタ	01
Q35	VP883100	TR	2SC1890A D,E	2300		トランジスタ	01
Q36	VP883100	TR	2SC1890A D,E	2300		トランジスタ	01
Q37	iC1815I0	TR	2SC1815 Y	2300		トランジスタ	01
Q38	iC1815I0	TR	2SC1815 Y	2300		トランジスタ	01
Q39	VS883300	TR	2SB1565 E,F	2300		トランジスタ	02
Q40	VP883000	TR	2SA893A D,E	2300		トランジスタ	01
Q41	VC141900	TR	2SB941 P,Q	2300		トランジスタ	04
Q42	VP883000	TR	2SA893A D,E	2300		トランジスタ	01
Q43	iC1815I0	TR	2SC1815 Y	2300		トランジスタ	01
Q44	iA097030	TR	2SA970 GR,BL	2300		トランジスタ	01
Q45	iC287820	TR	2SC2878 A,B	2300		トランジスタ	01
Q46	iC287820	TR	2SC2878 A,B	2300		トランジスタ	01
Q47	iC1815I0	TR	2SC1815 Y	2300		トランジスタ	01
Q48	iC1815I0	TR	2SC1815 Y	2300		トランジスタ	01
Q49	iC1815I0	TR	2SC1815 Y	2300		トランジスタ	01
Q50	iA1015I0	TR	2SA1015 Y	2300		トランジスタ	01
Q57	iC1815I0	TR	2SC1815 Y	2300	UCA	トランジスタ	01

\* New Parts \* 新規部品(マーク#の部品は、基板に含まれません)

RX-V2300/DSP-AX2300  
RX-V1300/RX-V1300RDS/HTR-5590/DSP-AX1300



P.C.B. MAIN

Schm Ref.	PART NO.	Description	Remarks	Markets	部 品 名	Rank
R1	VP941600	R. MTL. OXD	5.6KΩ 1W	2300	酸化金属被膜抵抗	01
R2	VP941600	R. MTL. OXD	5.6KΩ 1W	2300	酸化金属被膜抵抗	01
R3	VP941600	R. MTL. OXD	5.6KΩ 1W	2300	酸化金属被膜抵抗	01
R4	VP941600	R. MTL. OXD	5.6KΩ 1W	2300	酸化金属被膜抵抗	01
R5	VP941600	R. MTL. OXD	5.6KΩ 1W	2300	酸化金属被膜抵抗	01
R6	VP941600	R. MTL. OXD	5.6KΩ 1W	2300	酸化金属被膜抵抗	01
R7	VP941600	R. MTL. OXD	5.6KΩ 1W	2300	酸化金属被膜抵抗	01
R8	VP941600	R. MTL. OXD	5.6KΩ 1W	2300	酸化金属被膜抵抗	01
R9	VP941600	R. MTL. OXD	5.6KΩ 1W	2300	酸化金属被膜抵抗	01
R10	VP941600	R. MTL. OXD	5.6KΩ 1W	2300	酸化金属被膜抵抗	01
R11	VP941600	R. MTL. OXD	5.6KΩ 1W	2300	酸化金属被膜抵抗	01
R12	VP941600	R. MTL. OXD	5.6KΩ 1W	2300	酸化金属被膜抵抗	01
R13	V3946100	R. MTL. OXD	2.7KΩ 0.5W	2300	酸化金属被膜抵抗	01
R14	V3945100	R. MTL. OXD	390Ω 0.5W	2300	酸化金属被膜抵抗	01
R15	V3945500	R. MTL. OXD	820Ω 0.5W	2300	酸化金属被膜抵抗	01
R16	HV755100	R. CAR. FP	100Ω 1/4W	2300	不燃化カーボン抵抗	01
R17	V3946100	R. MTL. OXD	2.7KΩ 0.5W	2300	酸化金属被膜抵抗	01
R18	V3945100	R. MTL. OXD	390Ω 0.5W	2300	酸化金属被膜抵抗	01
R19	V3945500	R. MTL. OXD	820Ω 0.5W	2300	酸化金属被膜抵抗	01
R20	HV755100	R. CAR. FP	100Ω 1/4W	2300	不燃化カーボン抵抗	01
R21	V3946100	R. MTL. OXD	2.7KΩ 0.5W	2300	酸化金属被膜抵抗	01
R22	V3945100	R. MTL. OXD	390Ω 0.5W	2300	酸化金属被膜抵抗	01
R23	V3945500	R. MTL. OXD	820Ω 0.5W	2300	酸化金属被膜抵抗	01
R24	HV755100	R. CAR. FP	100Ω 1/4W	2300	不燃化カーボン抵抗	01
R25	V3946100	R. MTL. OXD	2.7KΩ 0.5W	2300	酸化金属被膜抵抗	01
R26	V3945100	R. MTL. OXD	390Ω 0.5W	2300	酸化金属被膜抵抗	01
R27	V3945500	R. MTL. OXD	820Ω 0.5W	2300	酸化金属被膜抵抗	01
R28	HV755100	R. CAR. FP	100Ω 1/4W	2300	不燃化カーボン抵抗	01
R29	V3946100	R. MTL. OXD	2.7KΩ 0.5W	2300	酸化金属被膜抵抗	01
R30	V3945100	R. MTL. OXD	390Ω 0.5W	2300	酸化金属被膜抵抗	01
R31	V3945500	R. MTL. OXD	820Ω 0.5W	2300	酸化金属被膜抵抗	01
R32	HV755100	R. CAR. FP	100Ω 1/4W	2300	不燃化カーボン抵抗	01
R33	V3946100	R. MTL. OXD	2.7KΩ 0.5W	2300	酸化金属被膜抵抗	01
R34	V3945100	R. MTL. OXD	390Ω 0.5W	2300	酸化金属被膜抵抗	01
R35	V3945500	R. MTL. OXD	820Ω 0.5W	2300	酸化金属被膜抵抗	01
R36	HV755100	R. CAR. FP	100Ω 1/4W	2300	不燃化カーボン抵抗	01
R37	V3945600	R. MTL. OXD	1KΩ 0.5W	2300	酸化金属被膜抵抗	01
R38	V3945600	R. MTL. OXD	1KΩ 0.5W	2300	酸化金属被膜抵抗	01
R39	V3945600	R. MTL. OXD	1KΩ 0.5W	2300	酸化金属被膜抵抗	01
R40	V3945600	R. MTL. OXD	1KΩ 0.5W	2300	酸化金属被膜抵抗	01
R41	V3945600	R. MTL. OXD	1KΩ 0.5W	2300	酸化金属被膜抵抗	01
R42	V3945600	R. MTL. OXD	1KΩ 0.5W	2300	酸化金属被膜抵抗	01
R43	V3944800	R. MTL. OXD	220Ω 0.5W	2300	酸化金属被膜抵抗	01
R44	V3944800	R. MTL. OXD	220Ω 0.5W	2300	酸化金属被膜抵抗	01
R45	V3944800	R. MTL. OXD	220Ω 0.5W	2300	酸化金属被膜抵抗	01
R46	V3944800	R. MTL. OXD	220Ω 0.5W	2300	酸化金属被膜抵抗	01
R47	V3944800	R. MTL. OXD	220Ω 0.5W	2300	酸化金属被膜抵抗	01
R48	V3944800	R. MTL. OXD	220Ω 0.5W	2300	酸化金属被膜抵抗	01
R49	VP939700	R. MTL. FLM	4.7Ω 1W	2300	金属被膜抵抗	01
R50	VP939700	R. MTL. FLM	4.7Ω 1W	2300	金属被膜抵抗	01
R51	VP939700	R. MTL. FLM	4.7Ω 1W	2300	金属被膜抵抗	01
R52	VP939700	R. MTL. FLM	4.7Ω 1W	2300	金属被膜抵抗	01
R53	VP939700	R. MTL. FLM	4.7Ω 1W	2300	金属被膜抵抗	01

\* New Parts \* 新規部品(マーク#の部品は、基板に含まれません)

P.C.B. MAIN

Schm Ref.	PART NO.	Description	Remarks	Markets	部 品 名	Rank	
R54	VP939700	R. MTL. FLM	4.7Ω 1W	2300		金属被膜抵抗	01
R55	VP939700	R. MTL. FLM	4.7Ω 1W	2300		金属被膜抵抗	01
R56	VP939700	R. MTL. FLM	4.7Ω 1W	2300		金属被膜抵抗	01
R57	VP939700	R. MTL. FLM	4.7Ω 1W	2300		金属被膜抵抗	01
R58	VP939700	R. MTL. FLM	4.7Ω 1W	2300		金属被膜抵抗	01
R59	VP939700	R. MTL. FLM	4.7Ω 1W	2300		金属被膜抵抗	01
R60	VP939700	R. MTL. FLM	4.7Ω 1W	2300		金属被膜抵抗	01
R61	V3873200	R. WW	0.22Ω 3W	2300		セメント抵抗	02
R62	V3873200	R. WW	0.22Ω 3W	2300		セメント抵抗	02
R63	VU981700	R. MTL. PLAT	0.22Ω+0.22 3W	2300		金属板抵抗	02
R67	V3873200	R. WW	0.22Ω 3W	2300		セメント抵抗	02
R68	VU981700	R. MTL. PLAT	0.22Ω+0.22 3W	2300		金属板抵抗	02
R69	VU981700	R. MTL. PLAT	0.22Ω+0.22 3W	2300		金属板抵抗	02
R88	VP939800	R. MTL. OXD	10Ω 1W	2300		酸化金属被膜抵抗	01
R90	VP939800	R. MTL. OXD	10Ω 1W	2300		酸化金属被膜抵抗	01
R92	VP939800	R. MTL. OXD	10Ω 1W	2300		酸化金属被膜抵抗	01
R94	VP939800	R. MTL. OXD	10Ω 1W	2300		酸化金属被膜抵抗	01
R96	VP939800	R. MTL. OXD	10Ω 1W	2300		酸化金属被膜抵抗	01
R98	VP939800	R. MTL. OXD	10Ω 1W	2300		酸化金属被膜抵抗	01
R102	HV753470	R. CAR. FP	4.7Ω 1/4W	2300	RTKA	不燃化カーボン抵抗	01
R102	HV754100	R. CAR. FP	10Ω 1/4W	2300	JUC	不燃化カーボン抵抗	01
R103	HV753470	R. CAR. FP	4.7Ω 1/4W	2300	RTKA	不燃化カーボン抵抗	01
R103	HV754100	R. CAR. FP	10Ω 1/4W	2300	JUC	不燃化カーボン抵抗	01
R104	HV754100	R. CAR. FP	10Ω 1/4W	2300		不燃化カーボン抵抗	01
R108	HV754100	R. CAR. FP	10Ω 1/4W	2300		不燃化カーボン抵抗	01
R109	HV754100	R. CAR. FP	10Ω 1/4W	2300		不燃化カーボン抵抗	01
R110	HV754100	R. CAR. FP	10Ω 1/4W	2300		不燃化カーボン抵抗	01
R113	VP939500	R. MTL. FLM	1Ω 1W	2300		金属被膜抵抗	01
R114	VP939500	R. MTL. FLM	1Ω 1W	2300		金属被膜抵抗	01
R115	VP940900	R. MTL. OXD	560Ω 1W	2300		酸化金属被膜抵抗	01
R117	VP940900	R. MTL. OXD	560Ω 1W	2300		酸化金属被膜抵抗	01
R126	HV756470	R. CAR. FP	4.7KΩ 1/4W	2300		不燃化カーボン抵抗	01
R127	HV755100	R. CAR. FP	100Ω 1/4W	2300		不燃化カーボン抵抗	01
R128	VP939800	R. MTL. OXD	10Ω 1W	2300		酸化金属被膜抵抗	01
R130	HV756330	R. CAR. FP	3.3KΩ 1/4W	2300		不燃化カーボン抵抗	01
R137	HV754100	R. CAR. FP	10Ω 1/4W	2300		不燃化カーボン抵抗	01
R141	V3873200	R. WW	0.22Ω 3W	2300		セメント抵抗	02
R142	HV754100	R. CAR. FP	10Ω 1/4W	2300		不燃化カーボン抵抗	01
R147	HV756150	R. CAR. FP	1.5KΩ 1/4W	2300		不燃化カーボン抵抗	01
R155	VP940900	R. MTL. OXD	560Ω 1W	2300		酸化金属被膜抵抗	01
R160	VP940900	R. MTL. OXD	560Ω 1W	2300		酸化金属被膜抵抗	01
R167	HV756100	R. CAR. FP	1KΩ 1/4W	2300		不燃化カーボン抵抗	01
R169	HV755100	R. CAR. FP	100Ω 1/4W	2300		不燃化カーボン抵抗	01
△ R184	HV753100	R. CAR. FP	1Ω 1/4W	2300		不燃化カーボン抵抗	01
△ R185	HV753100	R. CAR. FP	1Ω 1/4W	2300		不燃化カーボン抵抗	01
R194	VP940900	R. MTL. OXD	560Ω 1W	2300	UCA	酸化金属被膜抵抗	01
RY1	V6322600	RELAY	DC DH24D2-OT(M)-SL	2300		リレー 24V	04
RY2	V6322600	RELAY	DC DH24D2-OT(M)-SL	2300		リレー 24V	04
RY4	V6322600	RELAY	DC DH24D2-OT(M)-SL	2300		リレー 24V	04
RY5	V6322600	RELAY	DC DH24D2-OT(M)-SL	2300		リレー 24V	04
RY6	V6322600	RELAY	DC DH24D2-OT(M)-SL	2300	UCA	リレー 24V	04
△ SW3	V4104200	SW. SLIDE	SL13B-022-AMCS	2300	UCRTKA	スライドSW	03
* TE1	V9459000	TERM. SP	LTS0810-1016	2300		スピーカターミナル 8P	

\* New Parts \* 新規部品(マーク#の部品は、基板に含まれません)

RX-V2300/DSP-AX2300  
RX-V1300/RX-V1300RDS/HTR-5590/DSP-AX1300

P.C.B. POWER

Schm Ref.	PART NO.	Description	Remarks	Markets	部 品 名	Rank
TE2	V9459000	TERM. SP	LTS0810-1016	2300		スピーカターミナル 8 P
TE5	V9458800	TERM. SP	LTS0410-3012	2300	UCA	スピーカターミナル 4 P
	EP600140	SCR. BND. HD	3x10 MFZN2BL	2300		バインドBタイトネジ
	V9811000	SUPRT		2300		サポート/T R
	V9591000	P. C. B.	POWER	1300, 2300	J	P C B 集 成 パワー
	V9591100	P. C. B.	POWER	1300, 5590, 2300	UC	P C B 集 成 パワー
	V9591200	P. C. B.	POWER	1300, 5590, 2300	RTK	P C B 集 成 パワー
	V9591300	P. C. B.	POWER	1300, 5590, 2300	A	P C B 集 成 パワー
	V9591400	P. C. B.	POWER	1300	B	P C B 集 成 パワー
	V9591500	P. C. B.	POWER	1300	G	P C B 集 成 パワー
	V9591600	P. C. B.	POWER	5590	UC	P C B 集 成 パワー
CB14	V7827100	SOCKET	4P TE TUC SERIES	1300, 5590, 2300		コネクターソケット
CB15	VP206500	HOLDER. FUS	EYF-52BCT	1300, 5590, 2300	G	ヒューズホルダー
CB16	VP206500	HOLDER. FUS	EYF-52BCT	1300, 5590, 2300	G	ヒューズホルダー
CB17	VP206500	HOLDER. FUS	EYF-52BCT	1300, 5590, 2300		ヒューズホルダー
CB18	VP206500	HOLDER. FUS	EYF-52BCT	1300, 5590, 2300		ヒューズホルダー
CB19	VG879900	CN. BS. PIN	2P	1300, 5590, 2300	JUCABG	ベースピン
CB20	VG879900	CN. BS. PIN	2P	1300, 5590, 2300	RTKAB	ベースピン
CB201	LB919100	CN. BS. PIN	10P SE XH	1300, 5590, 2300		ベースツキポスト
CB202	VB858200	CN. BS. PIN	3P	1300, 5590, 2300		ベースピン
CB206	V9377800	CN. BS. PIN	3P SE VH SERIES	1300, 5590, 2300	RTK	ベース付ポスト
CB207	V9377900	CN. BS. PIN	4P SE VH SERIES	1300, 5590, 2300	RTK	ベース付ポスト
CB208	VP206500	HOLDER. FUS	EYF-52BCT	1300, 5590, 2300	RTK	ヒューズホルダー
CB209	VP206500	HOLDER. FUS	EYF-52BCT	1300, 5590, 2300	RTK	ヒューズホルダー
CB212	VQ044900	CN. BS. PIN	19P	1300, 5590, 2300		F F C コネクター
CB213	V7828100	SOCKET	14P TE TUC SERIES	1300, 5590, 2300		コネクターソケット
CB214	LB918020	CN. BS. PIN	2P	1300, 5590, 2300		ベース付ポスト
CB215	VB858200	CN. BS. PIN	3P	1300, 5590, 2300		ベースピン
C81	VG288100	C. EL	2200uF 16V	1300, 5590, 2300		ケミコン
C82	UR867100	C. EL	10uF 50V	1300, 5590, 2300	RTK	ケミコン
C83	UR837330	C. EL	33uF 16V	1300, 5590, 2300	RTK	ケミコン
C83	UR837470	C. EL	47uF 16V	1300, 5590, 2300	JUCABG	ケミコン
C84	UR877100	C. EL	10uF 63V	1300, 5590, 2300	RTK	ケミコン
C85	UR867100	C. EL	10uF 50V	1300, 5590, 2300	RTK	ケミコン
C86	VL884600	C. PP	0. 01uF 100V	1300, 5590, 2300	JUCABG	P P コン
C87	UA654100	C. MYLAR	0. 01uF 50V	1300, 5590, 2300	RTK	マイラーコン
C88	UA654100	C. MYLAR	0. 01uF 50V	1300, 5590, 2300	RTK	マイラーコン
C89	V6185300	C. CE. SAFTY	0. 01uF 275V	1300, 5590, 2300		規格認定コン
C201	VR324900	C. MYLAR	0. 1uF 100V	1300, 5590, 2300		マイラーコン
C202	VR324900	C. MYLAR	0. 1uF 100V	1300, 5590, 2300		マイラーコン
C203	VR324900	C. MYLAR	0. 1uF 100V	1300, 5590, 2300		マイラーコン
C204	VR324900	C. MYLAR	0. 1uF 100V	1300, 5590, 2300		マイラーコン
C205	UR749680	C. EL	6800uF 25V	1300, 5590, 2300		ケミコン
C206	UR749330	C. EL	3300uF 25V	1300, 5590, 2300		ケミコン
C207	UR73A100	C. EL	10000uF 16V	1300, 5590, 2300		ケミコン
C208	UR73A100	C. EL	10000uF 16V	1300, 5590, 2300		ケミコン
C209	UR73A100	C. EL	10000uF 16V	1300, 5590, 2300		ケミコン
C210	UR73A100	C. EL	10000uF 16V	1300, 5590, 2300		ケミコン
C211	UR73A100	C. EL	10000uF 16V	1300, 5590, 2300		ケミコン
C212	UR73A100	C. EL	10000uF 16V	1300, 5590, 2300		ケミコン

\* New Parts \* 新規部品(マーク#の部品は、基板に含まれません)

P.C.B. POWER

Schm Ref.	PART NO.	Description	Remarks	Markets	部 品 名	Rank	
C213	UR838100	C. EL	100uF 16V	1300, 5590, 2300		ケミコン	01
C214	UR838100	C. EL	100uF 16V	1300, 5590, 2300		ケミコン	01
C215	UR838100	C. EL	100uF 16V	1300, 5590, 2300		ケミコン	01
C216	UR838100	C. EL	100uF 16V	1300, 5590, 2300		ケミコン	01
C217	UU147100	C. EL	10uF 25V	1300, 5590, 2300		ケミコン	01
C218	UU147100	C. EL	10uF 25V	1300, 5590, 2300		ケミコン	01
C219	UR838100	C. EL	100uF 16V	1300, 5590, 2300		ケミコン	01
C220	UR838100	C. EL	100uF 16V	1300, 5590, 2300		ケミコン	01
C221	VG291300	C. EL	100uF 50V	1300, 5590, 2300		ケミコン	01
C222	VG291300	C. EL	100uF 50V	1300, 5590, 2300		ケミコン	01
C224	VG291300	C. EL	100uF 50V	1300, 5590, 2300		ケミコン	01
C225	VG291300	C. EL	100uF 50V	1300, 5590, 2300		ケミコン	01
C227	V8584600	C. PP	220pF 630V	1300, 5590, 2300		P P コン	
* C228	V9415100	C. EL	10uF 16V	1300, 5590, 2300		ケミコン	
C229	Vi578700	C. EL	10uF 50V	1300, 5590, 2300		ケミコン	01
C230	Vi578700	C. EL	10uF 50V	1300, 5590, 2300		ケミコン	01
* C231	V5618600	C. EL	10uF 25V	1300, 5590, 2300		ケミコン	
C232	V9415100	C. EL	10uF 16V	1300, 5590, 2300		ケミコン	
C233	Vi578700	C. EL	10uF 50V	1300, 5590, 2300		ケミコン	01
C234	UU138100	C. EL	100uF 16V	1300, 5590, 2300		ケミコン	01
C235	UR819100	C. EL	1000uF 6.3V	1300, 5590, 2300	UCRTKABG	ケミコン	01
C235	UR819100	C. EL	1000uF 6.3V	1300, 5590, 2300		ケミコン	01
C236	UR819100	C. EL	1000uF 6.3V	1300, 5590, 2300		ケミコン	01
* C237	V9411200	C. EL	22uF 100V	1300, 5590, 2300		ケミコン RA-2	
C238	UT652100	C. MYLAR	100pF 100V	1300, 5590, 2300		マイラーコン	01
C239	UT652220	C. MYLAR	220pF 100V	1300, 5590, 2300		マイラーコン	01
C240	UT652100	C. MYLAR	100pF 100V	1300, 5590, 2300		マイラーコン	01
C241	UT652220	C. MYLAR	220pF 100V	1300, 5590, 2300		マイラーコン	01
C242	UA652100	C. MYLAR	100pF 50V	1300, 5590, 2300		マイラーコン	01
C243	UA652220	C. MYLAR	220pF 50V	1300, 5590, 2300		マイラーコン	01
C244	UA652100	C. MYLAR	100pF 50V	1300, 5590, 2300		マイラーコン	01
C245	UA652220	C. MYLAR	220pF 50V	1300, 5590, 2300		マイラーコン	01
C246	UT652100	C. MYLAR	100pF 100V	1300, 5590, 2300		マイラーコン	01
C247	UT652220	C. MYLAR	220pF 100V	1300, 5590, 2300		マイラーコン	01
C248	UA652100	C. MYLAR	100pF 50V	1300, 5590, 2300		マイラーコン	01
C249	UA652220	C. MYLAR	220pF 50V	1300, 5590, 2300		マイラーコン	01
* C250	V9411200	C. EL	22uF 100V	1300, 5590, 2300		ケミコン RA-2	
* C251	VP917900	C. PP	1500pF 100V	1300, 5590, 2300		P P コン	01
* C252	VP917900	C. PP	1500pF 100V	1300, 5590, 2300		P P コン	01
C253	UA653150	C. MYLAR	1500pF 50V	1300, 5590, 2300		マイラーコン	01
C254	UA653150	C. MYLAR	1500pF 50V	1300, 5590, 2300		マイラーコン	01
* C255	VP917900	C. PP	1500pF 100V	1300, 5590, 2300		P P コン	01
C256	UA653150	C. MYLAR	1500pF 50V	1300, 5590, 2300		マイラーコン	01
C257	VG291300	C. EL	100uF 50V	1300, 5590, 2300		ケミコン	01
C258	VG291300	C. EL	100uF 50V	1300, 5590, 2300		ケミコン	01
C259	VG291200	C. EL	47uF 50V	1300, 5590, 2300		ケミコン	01
C260	VG291200	C. EL	47uF 50V	1300, 5590, 2300		ケミコン	01
C261	VG291200	C. EL	47uF 50V	1300, 5590, 2300		ケミコン	01
C262	VG291200	C. EL	47uF 50V	1300, 5590, 2300		ケミコン	01
C263	FU451220	C. MICA	22pF 500V	1300, 5590, 2300		マイカコン	01
C264	FU451220	C. MICA	22pF 500V	1300, 5590, 2300		マイカコン	01
C265	VR412500	C. CE	22pF 500V	1300, 5590, 2300		セラコン	01
C266	VR412500	C. CE	22pF 500V	1300, 5590, 2300		セラコン	01

\* New Parts \* 新規部品(マーク#の部品は、基板に含まれません)

RX-V2300/DSP-AX2300  
RX-V1300/RX-V1300RDS/HTR-5590/DSP-AX1300

P.C.B. POWER

Schm Ref.	PART NO.	Description	Remarks	Markets	部 品 名	Rank	
C267	FU451220	C. MICA	22pF 500V	1300, 5590, 2300		マイコン	01
C268	VR412500	C. CE	22pF 500V	1300, 5590, 2300		セラコン	01
D39	VG437300	DIODE. ZENR	MTZJ5. 1A 5. 1V	1300, 5590, 2300		ツェナーダイオード	01
D40	VD631600	DIODE	1SS133, 176	1300, 5590, 2300	RTK	ダイオード	01
* D41	VG439500	DIODE. ZENR	MTZJ10B 10V	1300, 5590, 2300	RTK	ツェナーダイオード	01
D42	VG438100	DIODE. ZENR	MTZJ6. 2C 6. 2V	1300, 5590, 2300	RTK	ツェナーダイオード	01
D43	VS997800	DIODE	1T2	1300, 5590, 2300	RTK	ダイオード	01
△ D44	VS997800	DIODE	1T2	1300, 5590, 2300		ダイオード	01
△ D45	VS997800	DIODE	1T2	1300, 5590, 2300		ダイオード	01
△ D46	VS997800	DIODE	1T2	1300, 5590, 2300		ダイオード	01
△ D47	VS997800	DIODE	1T2	1300, 5590, 2300		ダイオード	01
D48	VD631600	DIODE	1SS133, 176	1300, 5590, 2300		ダイオード	01
D49	VD631600	DIODE	1SS133, 176	1300, 5590, 2300		ダイオード	01
△ D201	V4269600	DIODE. BRG	D2SBA20 1. 5A 200V	1300, 5590, 2300		ダイオードブリッジ	
△ D202	V4269600	DIODE. BRG	D2SBA20 1. 5A 200V	1300, 5590, 2300		ダイオードブリッジ	
D204	VG440300	DIODE. ZENR	MTZJ12C 12V	1300, 5590, 2300		ツェナーダイオード	01
D205	VD631600	DIODE	1SS133, 176	1300, 5590, 2300		ダイオード	01
D206	VG440300	DIODE. ZENR	MTZJ12C 12V	1300, 5590, 2300		ツェナーダイオード	01
D207	VG439100	DIODE. ZENR	MTZJ9. 1A 9. 1V	1300, 5590, 2300	UCRTKABG	ツェナーダイオード	01
D208	VG439400	DIODE. ZENR	MTZJ10A 10V	1300, 5590, 2300	J	ツェナーダイオード	01
* D208	VG441800	DIODE. ZENR	MTZJ20C 20V	1300, 5590, 2300	UCRTKABG	ツェナーダイオード	
D209	VD631600	DIODE	1SS133, 176	1300, 5590, 2300		ダイオード	01
D210	VD631600	DIODE	1SS133, 176	1300, 5590, 2300		ダイオード	01
D211	VD631600	DIODE	1SS133, 176	1300, 5590, 2300		ダイオード	01
△ F1	KB000790	FUSE	T4. 0A 250V	1300, 5590, 2300	ABG	ヒューズ	01
△ F1	VS823300	FUSE	T8A 125V	1300, 5590, 2300	JUCRTK	ヒューズ	02
△ F2	VT942900	FUSE	T2. 5A 250V	1300, 5590, 2300	G	ヒューズ	
△ F201	KB000790	FUSE	T4. 0A 250V	1300, 5590, 2300	RTK	ヒューズ	01
△ IC201	XJ607A00	IC	NJM7805FA 5V	1300, 5590, 2300		I C	02
△ IC202	XJ607A00	IC	NJM7805FA 5V	1300, 5590, 2300		I C	02
△ IC203	XJ602A00	IC	NJM78M12FA	1300, 5590, 2300		I C	02
△ IC204	XD343A00	IC	NJM79M12FA	1300, 5590, 2300		I C	03
△ IC205	XJ607A00	IC	NJM7805FA 5V	1300, 5590, 2300		I C	02
△ IC206	XE436A00	IC	NJM79M05FA	1300, 5590, 2300		I C	03
L7	V4769500	FER. BEAD	RH03506BT-B-1B	1300, 5590, 2300		フェライトビーズ	
PN1	V3750200	PIN	L=70	1300, 5590, 2300	J	スタイルピン	
PN1	V3750200	PIN	L=70	1300, 5590, 2300	UCA	スタイルピン	
PN201	V3750200	PIN	L=70	1300, 5590, 2300		スタイルピン	
PN220	V3750200	PIN	L=70	1300, 5590, 2300		スタイルピン	
* PN221	V9637500	PIN	V963750 L=70 #18	1300, 5590, 2300		スタイルピン	
PN222	V3750200	PIN	L=70	1300, 5590, 2300		スタイルピン	
PN223	V3750200	PIN	L=70	1300, 5590, 2300		スタイルピン	
* PN224	V9637500	PIN	V963750 L=70 #18	1300, 5590, 2300		スタイルピン	
Q51	VR510800	TR	2SD2396 J, K	1300, 5590, 2300	RTK	トランジスタ	02
Q52	VR510800	TR	2SD2396 J, K	1300, 5590, 2300	RTK	トランジスタ	02
Q53	iC174020	TR	2SC1740S R, S	1300, 5590, 2300		トランジスタ	01
Q54	iE102620	FET	2SK246 Y	1300, 5590, 2300	RTK	F E T	01
△ Q55	iE102620	FET	2SK246 Y	1300, 5590, 2300	RTK	F E T	01
Q56	iC174020	TR	2SC1740S R, S	1300, 5590, 2300		トランジスタ	01
Q201	VP883100	TR	2SC1890A D, E	1300, 5590, 2300		トランジスタ	01
Q202	VP883100	TR	2SC1890A D, E	1300, 5590, 2300		トランジスタ	01
Q203	VP883100	TR	2SC1890A D, E	1300, 5590, 2300		トランジスタ	01
Q204	VP883100	TR	2SC1890A D, E	1300, 5590, 2300		トランジスタ	01

\* New Parts \* 新規部品(マーク#の部品は、基板に含まれません)

P.C.B. POWER

Schm Ref.	PART NO.	Description	Remarks	Markets	部 品 名	Rank	
	Q205	VP883100 TR	2SC1890A D, E	1300, 5590, 2300		トランジスタ	01
	Q206	VP883100 TR	2SC1890A D, E	1300, 5590, 2300		トランジスタ	01
	Q207	VP883100 TR	2SC1890A D, E	1300, 5590, 2300	UCRTKABG	トランジスタ	01
△	Q208	VR510800 TR	2SD2396 J, K	1300, 5590, 2300		トランジスタ	02
	Q209	VP883100 TR	2SC1890A D, E	1300, 5590, 2300		トランジスタ	01
	Q210	VP883100 TR	2SC1890A D, E	1300, 5590, 2300		トランジスタ	01
	Q211	VP883100 TR	2SC1890A D, E	1300, 5590, 2300		トランジスタ	01
	Q212	VP883100 TR	2SC1890A D, E	1300, 5590, 2300		トランジスタ	01
	Q213	VP883100 TR	2SC1890A D, E	1300, 5590, 2300		トランジスタ	01
	Q214	VP883100 TR	2SC1890A D, E	1300, 5590, 2300		トランジスタ	01
	Q215	VP883100 TR	2SC1890A D, E	1300, 5590, 2300		トランジスタ	01
	Q216	V3966800 TR	2SB949 O, Y	1300, 5590, 2300		トランジスタ	02
	Q217	V3966800 TR	2SB949 O, Y	1300, 5590, 2300		トランジスタ	02
	Q218	V3966800 TR	2SB949 O, Y	1300, 5590, 2300		トランジスタ	02
	Q219	V3966800 TR	2SB949 O, Y	1300, 5590, 2300		トランジスタ	02
	Q220	V3966800 TR	2SB949 O, Y	1300, 5590, 2300		トランジスタ	02
	Q221	V3966800 TR	2SB949 O, Y	1300, 5590, 2300		トランジスタ	02
	R193	V6730000 R. CAR.	2.2MΩ 1/2W	1300, 5590, 2300	UC	放電抵抗	01
△	R205	VP939500 R. MTL. FLM	1Ω 1W	1300, 5590, 2300		金属被膜抵抗	01
△	R207	VP939500 R. MTL. FLM	1Ω 1W	1300, 5590, 2300		金属被膜抵抗	01
△	R208	HV753100 R. CAR. FP	1Ω 1/4W	1300, 5590, 2300		不燃化カーボン抵抗	01
△	R209	HV753100 R. CAR. FP	1Ω 1/4W	1300, 5590, 2300		不燃化カーボン抵抗	01
△	R216	VP939500 R. MTL. FLM	1Ω 1W	1300, 5590, 2300		金属被膜抵抗	01
△	R217	VP939500 R. MTL. FLM	1Ω 1W	1300, 5590, 2300		金属被膜抵抗	01
△	R253	HV754100 R. CAR. FP	10Ω 1/4W	1300, 5590, 2300		不燃化カーボン抵抗	01
△	R265	HV756470 R. CAR. FP	4.7KΩ 1/4W	1300, 5590, 2300		不燃化カーボン抵抗	01
	R284	VP940200 R. MTL. OXD	47Ω 1W	1300, 5590, 2300		酸化金属被膜抵抗	01
	R285	VP940200 R. MTL. OXD	47Ω 1W	1300, 5590, 2300		酸化金属被膜抵抗	01
	R286	VP940200 R. MTL. OXD	47Ω 1W	1300, 5590, 2300		酸化金属被膜抵抗	01
	R287	VP940200 R. MTL. OXD	47Ω 1W	1300, 5590, 2300		酸化金属被膜抵抗	01
	R288	VP940200 R. MTL. OXD	47Ω 1W	1300, 5590, 2300		酸化金属被膜抵抗	01
	R289	VP940200 R. MTL. OXD	47Ω 1W	1300, 5590, 2300		酸化金属被膜抵抗	01
* △	RY3	V9366900 RELAY	DLS9D1-0(M)0.25W	1300, 5590, 2300	UCRTK	リレー 9V TV-8	
* △	RY3	V9367000 RELAY	DLS9D1-0(M)0.15W	1300, 5590, 2300	JABG	リレー 9V TV-5	
	ST1	V4040500 SCR. TERM	M3	1300, 5590, 2300	UC	スクリュー/ターミナル	01
	ST201	V4040500 SCR. TERM	M3	1300, 5590, 2300		スクリュー/ターミナル	01
	ST202	V4040500 SCR. TERM	M3	1300, 5590, 2300		スクリュー/ターミナル	01
* △	SW201	V7182300 VOLT. SELCT	R8140213	1300, 5590, 2300	RTK	電圧切替器	
* △	T1	X2935A00 TRANS		1300, 5590, 2300	J	サブトランス	
* △	T1	X2936A00 TRANS		1300, 5590, 2300	UC	サブトランス	
* △	T1	X2937A00 TRANS		1300, 5590, 2300	RTK	サブトランス	
* △	T1	X2938A00 TRANS		1300, 5590, 2300	A	サブトランス	
* △	T1	X2939A00 TRANS		1300, 5590, 2300	BG	サブトランス	
△	TE3	VU543100 OUTLET. AC	2P	1300, 5590, 2300	JUC	ACアウトレット	03
△	TE3	V5867400 OUTLET. AC	2P AC-182-GB-11V	1300, 5590, 2300	RTK	ACアウトレット	
△	TE3	VT915000 OUTLET. AC	1P	1300, 5590, 2300	A	ACアウトレット	06
△	TE3	VU543300 OUTLET. AC	1P	1300, 5590, 2300	B	ACアウトレット	
△	TE3	VU543400 OUTLET. AC	2P	1300, 5590, 2300	G	ACアウトレット	
	TE4	V6561200 AC INLET	2P M1908-G	1300, 5590, 2300	JUCG	ACインレット 2P	02
		EP600140 SCR. BND. HD	3x10 MFZN2BL	1300, 5590, 2300	RTK	バインドBタイトネジ	01

\* New Parts \* 新規部品(マーク#の部品は、基板に含まれません)

RX-V2300/DSP-AX2300  
RX-V1300/RX-V1300RDS/HTR-5590/DSP-AX1300

Chip Resistors

Schm Ref.	PART NO.	Description	Remarks	Markets	部 品 名	Rank
	RA556220	R. CAR. CHP	2.2KΩ 1/10W	1300, 5590, 2300	チップ抵抗	01
	RA557120	R. CAR. CHP	12KΩ 1/10W	1300, 5590, 2300	チップ抵抗	01
	RA557240	R. CAR. CHP	24KΩ 1/10W	1300, 5590, 2300	チップ抵抗	01
	RD350000	R. CAR. CHP	0Ω 1/10W	1300, 5590, 2300	チップ抵抗	01
	RD353220	R. CAR. CHP	2.2Ω 1/10W	1300, 5590, 2300	チップ抵抗	01
	RD354270	R. CAR. CHP	27Ω 1/10W	1300, 5590, 2300	チップ抵抗	01
	RD354330	R. CAR. CHP	33Ω 1/10W	1300, 5590, 2300	チップ抵抗	01
	RD354470	R. CAR. CHP	47Ω 1/10W	1300, 5590, 2300	チップ抵抗	01
	RD354750	R. CAR. CHP	75Ω 1/10W	1300, 5590, 2300	チップ抵抗	01
	RD354820	R. CAR. CHP	82Ω 1/10W	1300, 5590, 2300	チップ抵抗	01
	RD355100	R. CAR. CHP	100Ω 1/10W	1300, 5590, 2300	チップ抵抗	01
	RD355150	R. CAR. CHP	150Ω 1/10W	1300, 5590, 2300	チップ抵抗	01
	RD355220	R. CAR. CHP	220Ω 1/10W	1300, 5590, 2300	チップ抵抗	01
	RD355270	R. CAR. CHP	270Ω 1/10W	1300, 5590, 2300	チップ抵抗	01
	RD355330	R. CAR. CHP	330Ω 1/10W	1300, 5590, 2300	チップ抵抗	01
	RD355390	R. CAR. CHP	390Ω 1/10W	1300, 5590, 2300	チップ抵抗	01
	RD355470	R. CAR. CHP	470Ω 1/10W	1300, 5590, 2300	チップ抵抗	01
	RD355680	R. CAR. CHP	680Ω 1/10W	1300, 5590, 2300	チップ抵抗	01
	RD355820	R. CAR. CHP	820Ω 1/10W	1300, 5590, 2300	チップ抵抗	01
	RD356100	R. CAR. CHP	1KΩ 1/10W	1300, 5590, 2300	チップ抵抗	01
	RD356110	R. CAR. CHP	1.1KΩ 1/10W	1300, 5590, 2300	チップ抵抗	01
	RD356120	R. CAR. CHP	1.2KΩ 1/10W	1300, 5590, 2300	チップ抵抗	01
	RD356150	R. CAR. CHP	1.5KΩ 1/10W	1300, 5590, 2300	チップ抵抗	01
	RD356160	R. CAR. CHP	1.6KΩ 1/10W	1300, 5590, 2300	チップ抵抗	01
	RD356180	R. CAR. CHP	1.8KΩ 1/10W	1300, 5590, 2300	チップ抵抗	01
	RD356220	R. CAR. CHP	2.2KΩ 1/10W	1300, 5590, 2300	チップ抵抗	01
	RD356240	R. CAR. CHP	2.4KΩ 1/10W	1300, 5590, 2300	チップ抵抗	01
	RD356270	R. CAR. CHP	2.7KΩ 1/10W	1300, 5590, 2300	チップ抵抗	01
	RD356330	R. CAR. CHP	3.3KΩ 1/10W	1300, 5590, 2300	チップ抵抗	01
	RD356360	R. CAR. CHP	3.6KΩ 1/10W	1300, 5590, 2300	チップ抵抗	01
	RD356390	R. CAR. CHP	3.9KΩ 1/10W	1300, 5590, 2300	チップ抵抗	01
	RD356430	R. CAR. CHP	4.3KΩ 1/10W	1300, 5590, 2300	チップ抵抗	01
	RD356470	R. CAR. CHP	4.7KΩ 1/10W	1300, 5590, 2300	チップ抵抗	01
	RD356510	R. CAR. CHP	5.1KΩ 1/10W	1300, 5590, 2300	チップ抵抗	01
	RD356560	R. CAR. CHP	5.6KΩ 1/10W	1300, 5590, 2300	チップ抵抗	01
	RD356680	R. CAR. CHP	6.8KΩ 1/10W	1300, 5590, 2300	チップ抵抗	01
	RD356750	R. CAR. CHP	7.5KΩ 1/10W	1300, 5590, 2300	チップ抵抗	01
	RD356820	R. CAR. CHP	8.2KΩ 1/10W	1300, 5590, 2300	チップ抵抗	01
	RD357100	R. CAR. CHP	10KΩ 1/10W	1300, 5590, 2300	チップ抵抗	01
	RD357130	R. CAR. CHP	13KΩ 1/10W	1300, 5590, 2300	チップ抵抗	01
	RD357150	R. CAR. CHP	15KΩ 1/10W	1300, 5590, 2300	チップ抵抗	01
	RD357160	R. CAR. CHP	16KΩ 1/10W	1300, 5590, 2300	チップ抵抗	01
	RD357180	R. CAR. CHP	18KΩ 1/10W	1300, 5590, 2300	チップ抵抗	01
	RD357220	R. CAR. CHP	22KΩ 1/10W	1300, 5590, 2300	チップ抵抗	01
	RD357270	R. CAR. CHP	27KΩ 1/10W	1300, 5590, 2300	チップ抵抗	01
	RD357330	R. CAR. CHP	33KΩ 1/10W	1300, 5590, 2300	チップ抵抗	01
	RD357470	R. CAR. CHP	47KΩ 1/10W	1300, 5590, 2300	チップ抵抗	01
	RD357560	R. CAR. CHP	56KΩ 1/10W	1300, 5590, 2300	チップ抵抗	01
	RD357820	R. CAR. CHP	82KΩ 1/10W	1300, 5590, 2300	チップ抵抗	01
	RD358100	R. CAR. CHP	100KΩ 1/10W	1300, 5590, 2300	チップ抵抗	01
	RD358150	R. CAR. CHP	150KΩ 1/10W	1300, 5590, 2300	チップ抵抗	01
	RD358220	R. CAR. CHP	220KΩ 1/10W	1300, 5590, 2300	チップ抵抗	01
	RD358470	R. CAR. CHP	470KΩ 1/10W	1300, 5590, 2300	チップ抵抗	01

\* New Parts \* 新規部品(マーク#の部品は、基板に含まれません)

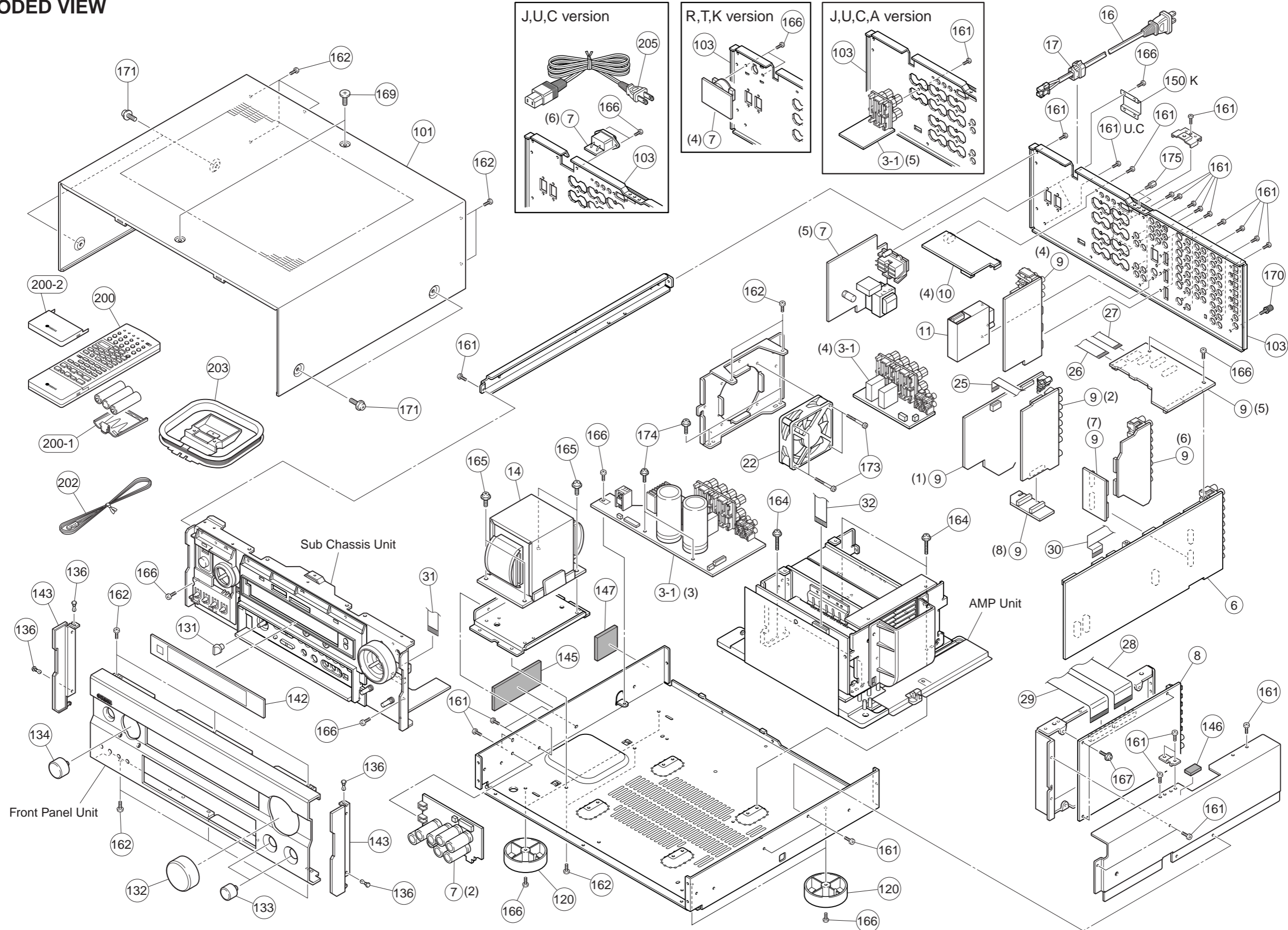
Chip Resistors

Schm Ref.	PART NO.	Description	Remarks	Markets	部 品 名	Rank
	RD358680	R. CAR. CHP	680KΩ 1/10W	1300, 5590, 2300	チップ抵抗	01
	RD359100	R. CAR. CHP	1MΩ 1/10W	1300, 5590, 2300	チップ抵抗	01
	RD359220	R. CAR. CHP	2.2MΩ 1/10W	1300, 5590, 2300	チップ抵抗	01

\* New Parts \* 新規部品(マーク#の部品は、基板に含まれません)

**RX-V2300/DSP-AX2300**

**EXPLODED VIEW**





## RX-V2300/DSP-AX2300

## RX-V2300/DSP-AX2300

## MECHANICAL PARTS

Schm Ref.	PART NO.	Description	Remarks	Markets	部品名	Rank
* 3-1	V9596600	P.C.B. ASS'Y		J	PCB メイン	
* 3-1	V9596700	P.C.B. ASS'Y		UC	PCB メイン	
* 3-1	V9596800	P.C.B. ASS'Y		RTK	PCB メイン	
* 3-1	V9596900	P.C.B. ASS'Y		A	PCB メイン	
* 6	V9590500	P.C.B. ASS'Y		J	PCB ファンクション	
* 6	V9590600	P.C.B. ASS'Y		UC	PCB ファンクション	
* 6	V9590700	P.C.B. ASS'Y		RTK	PCB ファンクション	
* 6	V9590800	P.C.B. ASS'Y		A	PCB ファンクション	
* 7	V9591000	P.C.B. ASS'Y		J	PCB集成 パワー	
* 7	V9591100	P.C.B. ASS'Y		UC	PCB集成 パワー	
* 7	V9591200	P.C.B. ASS'Y		RTK	PCB集成 パワー	
* 7	V9591300	P.C.B. ASS'Y		A	PCB集成 パワー	
* 8	V9592000	P.C.B. ASS'Y		J	PCB DSP	
* 8	V9592100	P.C.B. ASS'Y		UCRTKA	PCB DSP	
* 9	V9593800	P.C.B. ASS'Y	AX2300	J	PCB ビデオ	
* 9	V9593900	P.C.B. ASS'Y	V2300	UC	PCB ビデオ	
* 9	V9594000	P.C.B. ASS'Y	V2300	RTK	PCB ビデオ	
* 9	V9594100	P.C.B. ASS'Y	V2300	A	PCB ビデオ	
* 10	V9595300	P.C.B. ASS'Y	AX2300	J	PCB集成オペレーション	
* 10	V9595400	P.C.B. ASS'Y	V2300	UCA	PCB集成オペレーション	
* 10	V9595500	P.C.B. ASS'Y	V2300	RTK	PCB集成オペレーション	
* 11	V7424200	AM/FM TUNER	FAE350-J10F	J	AM/FM チューナ	13
* 11	V7424300	AM/FM TUNER	FAE350-A10F	UCRTK	AM/FM チューナ	
* 11	V7424400	AM/FM TUNER	FAE404-E10F	A	AM/FM チューナ	
* 14	X2927A00	POWER TRANSFORMER	AX2300	J	電源トランス	
* 14	X2928A00	POWER TRANSFORMER	V2300	UC	電源トランス	
* 14	X2933A00	POWER TRANSFORMER	V2300	RTK	電源トランス	
* 14	X2934A00	POWER TRANSFORMER	V2300	A	電源トランス	
* 16	VZ542500	POWER CABLE		RT	電源コード	05
* 16	V8013000	POWER CABLE		K	電源コード	
* 16	V2296800	POWER CABLE		A	電源コード	
17	V2438700	CORD STOPPER		RTK	コードストッパー	02
* 22	V8563700	DC FAN MOTOR			DCファンモーター	
* 25	MB007500	S FLEXIBLE FLAT CABLE	7P 500mm P=1.25		S カード電線 C&C	
* 26	MF113100	FLEXIBLE FLAT CABLE	13P 100mm		カード電線 C&C	01
* 27	MF115070	FLEXIBLE FLAT CABLE	15P 70mm P=1.25		カード電線 C&C	
* 28	MF116100	FLEXIBLE FLAT CABLE	16P 100mm		カード電線 C&C	02
* 29	MF115180	FLEXIBLE FLAT CABLE	15P 180mm P=1.25		カード電線 C&C	01
* 30	MF116400	FLEXIBLE FLAT CABLE	16P 400mm P=1.25		カード電線 C&C	
* 31	MF117180	FLEXIBLE FLAT CABLE	17P 180mm		カード電線 C&C	02
* 32	MB019250	S FLEXIBLE FLAT CABLE	19P 250mm P=1.25		S カード電線 C&C	
* 101	V9151200	TOP COVER		GD	トップカバー	
* 101	V9151100	TOP COVER		BL	トップカバー	
* 103	V9110600	REAR PANEL		J	リヤパネル	
* 103	V9109500	REAR PANEL		UC	リヤパネル	
* 103	V9109700	REAR PANEL		RTK	リヤパネル	
* 103	V9109900	REAR PANEL		A	リヤパネル	
* 120	V0042500	LEG	D60xH21	GD	レッグ	03
* 120	VS025000	LEG	D60xH21	BL	レッグ	02
* 131	V6001700	KNOB D15		GD	ノブ D15	01
* 131	V6001600	KNOB D15		BL	ノブ D15	

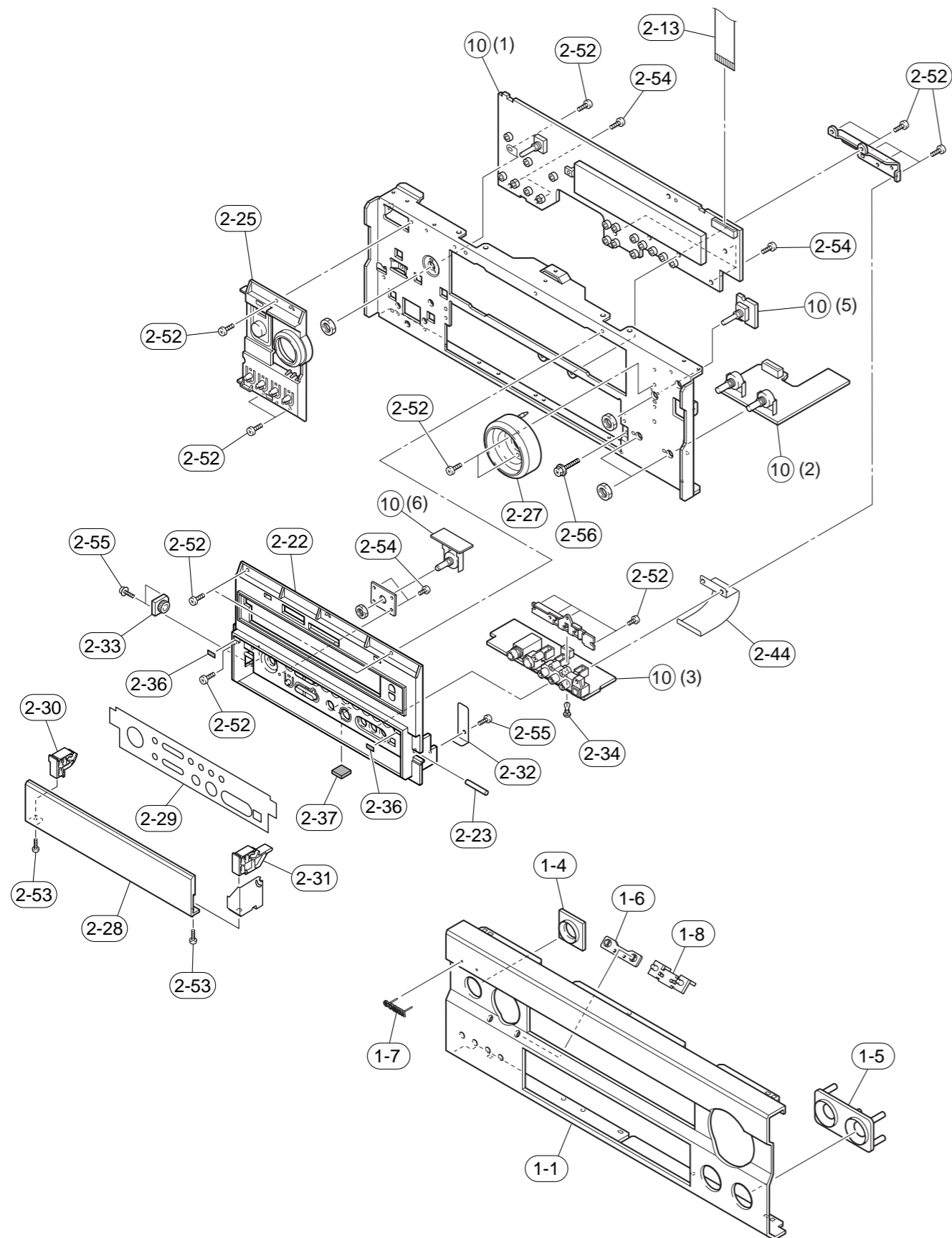
\* New Parts \* 新規部品(マーク#の部品は、基板に含まれません)

Schm Ref.	PART NO.	Description	Remarks	Markets	部品名	Rank
* 132	V9124800	KNOB D47		GD	ノブ D47	
* 132	V9124700	KNOB D47		BL	ノブ D47	
* 133	V9119300	KNOB D20		GD	ノブ D20	
* 133	V9119200	KNOB D20		BL	ノブ D20	
* 134	V9125800	KNOB D26		GD	ノブ D26	
* 134	V9125700	KNOB D26		BL	ノブ D26	
* 136	VQ368600	PUSH RIVET	P3555-B		プッシュリベット	01
* 142	V9115200	SHEET, WINDOW			シート/ウインドウ	
* 143	V9114100	PLATE, SIDE		GD	プレート/サイド	
* 143	V9114000	PLATE, SIDE		BL	プレート/サイド	
* 145	V3198100	DAMPER	GUARD		ダンパー	01
* 146	V6773900	DAMPER	SIDE		ダンパー/サイド	
* 147	V9975900	DAMPER	3.5x40x40		ダンパー	
* 150	V8466300	COVER/AC OUTLETS		K	カバー/ACアウトレット	
* 161	VN413300	BIND HEAD BONDING B-T. SCREW	3x8 MFC2BL		ボンディングBタイトネジ	01
* 162	EP600830	BIND HEAD B-TITE SCREW	3x8 MFC2BL		バインドBタイトネジ	01
* 164	VT669400	PW HEAD B-TITE SCREW	3x15-8 MFC2		PWヘッドBタイトネジ	01
* 165	WA247600	SCREW/TRANS #S	4x10-10 MFC2Y		スクリュー/トランス #5	
* 166	EP600250	BIND HEAD B-TITE SCREW	3x8 MFC2Y		バインドBタイトネジ	01
* 167	VT669300	PW HEAD B-TITE SCREW	3x8-8 MFC2		PWヘッドBタイトネジ	01
* 169	VZ893000	DECORATED SCREW S-TIGHT	4x8-10 MFNI33	GD	化粧ネジSタイト	02
* 169	VK522000	SPECIAL SCREW S-TITE	4x8-10 MFC2BL	BL	化粧ネジSタイト	01
* 170	AA627310	GROUND TERMINAL			GNDターミナル	01
* 171	VD069600	PW HEAD S-TITE SCREW	4x8-10 MFNI33	GD	PWヘッドSタイトネジ	01
* 171	21991500	PW HEAD S-TITE SCREW	4x8-10 MFC2BL	BL	PWヘッドSタイトネジ	01
* 173	VV220300	BIND HEAD B-TITE SCREW	3x30 MFC2BL		バインドBタイトネジ	01
* 174	VB770200	PW HEAD P-TITE SCREW	3x10-8 MFC2		PWヘッドPタイトネジ	01
* 175	V6509600	JACK SCREW	SS6-A47511848	UCRTKA	ジャックスクリュー	01
* 200	V9408100	ACCESSORIES			付属品	
* 200-1	AAAX12830	REMOTE CONTROL	RAV227	RRC4001-0005L	リモコン	
* 200-2	AAAX13420	BATTERY COVER	103RRC-170-01R	103RRC-170-01R	電池蓋	05
* 202	V6267000	SLIDE COVER	103RRC-171-01R	103RRC-171-01R	スライドカバー	
* 202	VQ147100	INDOOR FM ANTENNA	1.4m 1pc	JUCRTK	FM簡易アンテナ	03
* 202	VQ147100	INDOOR FM ANTENNA	1.4m 1pc	A	FM簡易アンテナ	02
* 203	VR248500	AM LOOP ANTENNA	1.0m 1pc		AMループアンテナ	03
* 205	V7765900	POWER CABLE	2m 1pc	J	電源コード	06
* 205	V7704800	POWER CABLE	2m 1pc	UC	電源コード	
		BATTERY (MANGANESE DRY)	R6PPTT/3ST(R6P)		マンガン電池 3PC	

\* New Parts \* 新規部品(マーク#の部品は、基板に含まれません)

**RX-V2300/DSP-AX2300**

■ FRONT PANEL & SUB CHASSIS UNIT



**RX-V2300/DSP-AX2300**

■ FRONT PANEL & SUB CHASSIS UNIT

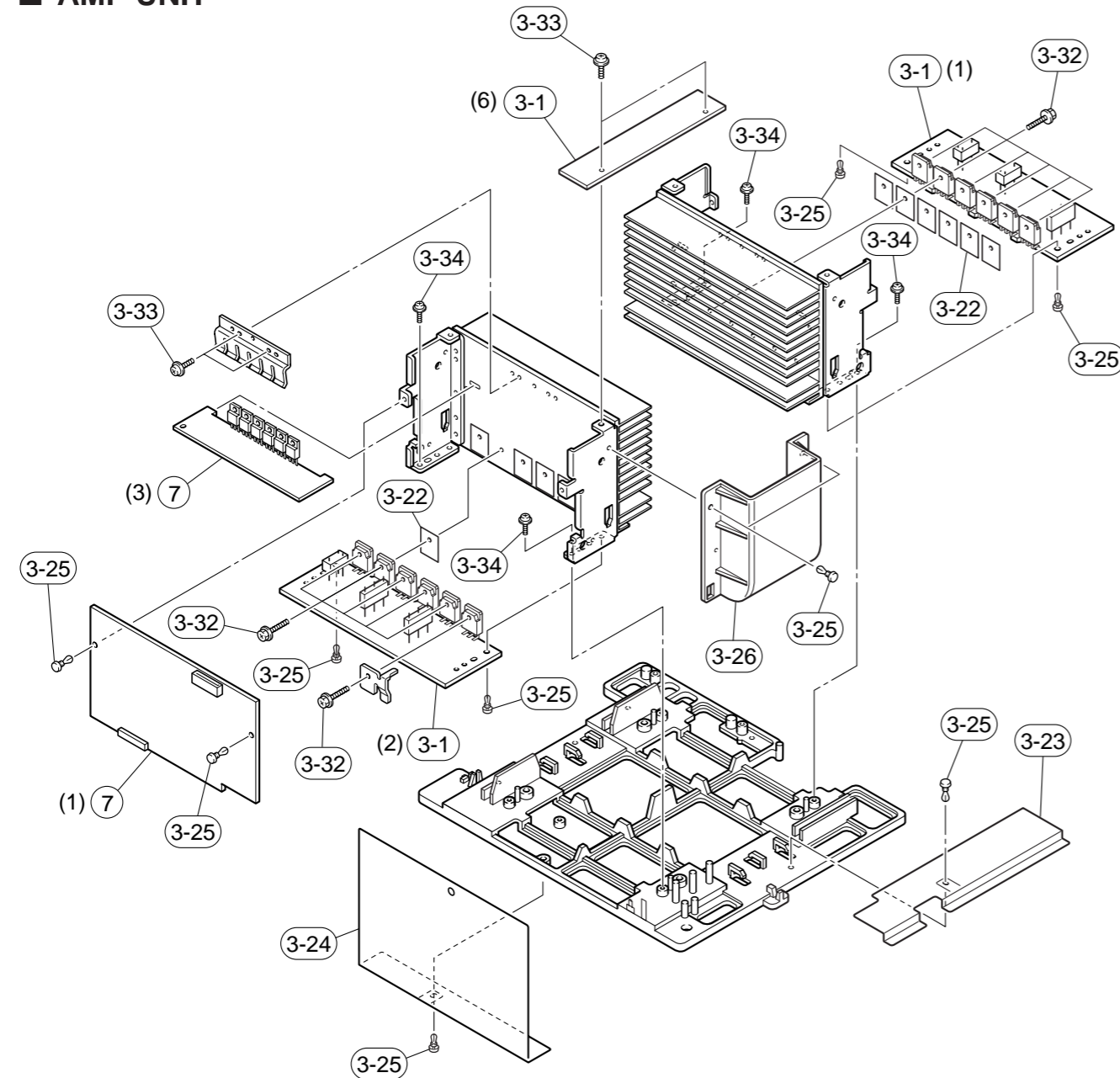
Schm Ref.	PART NO.	Description	Remarks	Markets	部品名	Rank
* 1-1	V9111700	FRONT PANEL		AX2300GD	フロントパネル	
* 1-1	V9111600	FRONT PANEL		V2300GD	フロントパネル	
* 1-1	V9111500	FRONT PANEL		V2300BL	フロントパネル	
1-4	V6003900	ESCUTCHEON/POWER		GD	エスカッション/パワー	
* 1-4	V6003800	ESCUTCHEON/POWER		BL	エスカッション/パワー	
* 1-5	V9115000	ESCUTCHEON/TC		GD	エスカッション/TC	
* 1-5	V9114900	ESCUTCHEON/TC		BL	エスカッション/TC	
* 1-6	V9114300	ESCUTCHEON/2P		BL	エスカッション/2P	
1-7	V6034200	EMBLEM		GD	エンブレム	03
1-7	V6034100	EMBLEM		BL	エンブレム	03
* 1-8	V9113700	BUTTON		GD	ボタン 2P	
* 1-8	V9113600	BUTTON		BL	ボタン 2P	
2-13	MF119140	FLEXIBLE FLAT CABLE	19P 140mm		カード電線 C&C	03
* 2-22	V9113100	SUBPANEL/CASE		GD	サブパネル/ケース	
* 2-22	V9113000	SUBPANEL/CASE		BL	サブパネル/ケース	
* 2-23	V9126500	SHAFT			シャフト	
* 2-25	V9113400	BUTTON, PLAY		GD	ボタン/P	
* 2-25	V9113300	BUTTON, PLAY		BL	ボタン/P	
* 2-27	V9114700	ESCUTCHEON, VOL		GD	エスカッション/VOL	
* 2-27	V9114600	ESCUTCHEON, VOL		BL	エスカッション/VOL	
* 2-28	V9112200	PANEL, LID		GD	パネル/リッド	
* 2-28	V9112100	PANEL, LID		BL	パネル/リッド	
* 2-29	V9121400	PLATE, SP		GD	プレート/SP	
* 2-29	V9319900	PLATE, SP		BL	プレート/SP	
* 2-29	V9121300	PLATE, SP		BL	プレート/SP	
* 2-30	V6005100	HINGE, L		GD	ヒンジ L	01
* 2-30	V6005000	HINGE, L		BL	ヒンジ L	
* 2-31	V6005400	HINGE, R		GD	ヒンジ R	01
* 2-31	V6005300	HINGE, R		BL	ヒンジ R	
* 2-32	V4593300	SPRING, LID			スプリング/リッド	
* 2-33	V9124600	DAMPER, GEAR			ダンパー/ギヤ	
2-34	VQ368600	PUSH RIVET	P3555-B		プッシュリベット	01
2-36	VY940400	CUSHION, LID	T=0.8		クッション/LID	01
2-37	VV982000	DAMPER	1x12x12		ダンパー	01
* 2-44	WA093200	SHEET, GND			シート/アース	
2-52	EP600250	BIND HEAD B-TITE SCREW	3x8 MFZ2Y		バインドBタイトネジ	01
2-53	VG863900	BIND HEAD TAPPING SCREW	2.6x6 MFZ2BL		バインドTPネジ	01
2-54	EP630220	BIND HEAD P-TITE SCREW	3x8 MFZ2BL		バインドPタイトネジ	01
2-55	VE529700	PW HEAD B-TITE SCREW	3x6-8 MFC2BL		PWヘッドBタイトネジ	01
2-56	VK173200	SCREW, TRANSISTOR	3x15 SP MFC2		スクリューTR	01
* 10	V9595300	P.C.B. ASS'Y	OPERATION	AX2300	J	PCB集成オペレーション
* 10	V9595400	P.C.B. ASS'Y	OPERATION	V2300	UCA	PCB集成オペレーション
* 10	V9595500	P.C.B. ASS'Y	OPERATION	V2300	RTK	PCB集成オペレーション

\* New Parts \* 新規部品 (マーク#の部品は、基板に含まれません)

## RX-V2300/DSP-AX2300

## RX-V2300/DSP-AX2300

## AMP UNIT



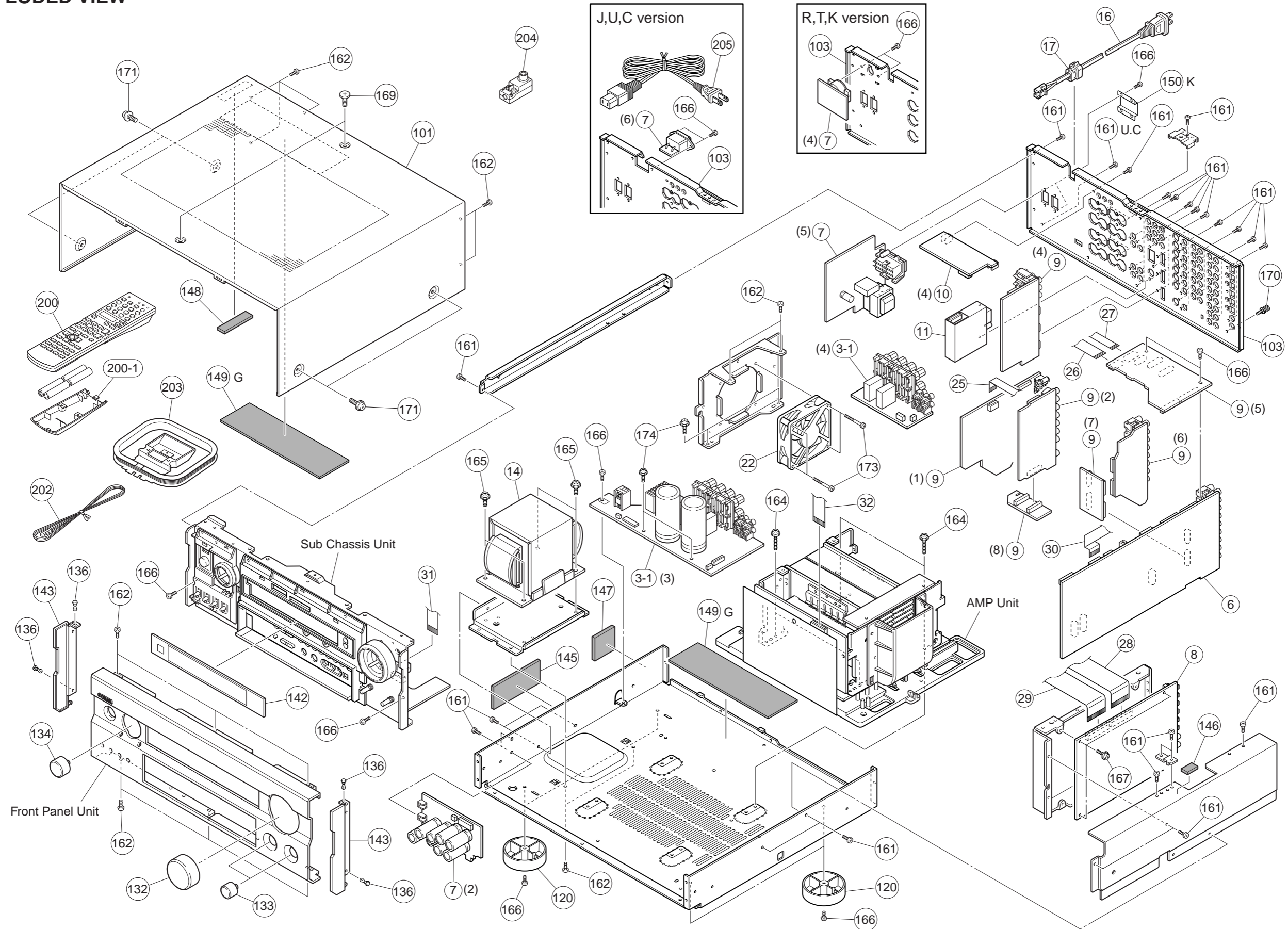
## AMP UNIT

Schm Ref.	PART NO.	Description	Remarks	Markets	部品名	Rank
* ⚠ 3-1	V9596600	P.C.B. ASS'Y	MAIN	J	PCB メイン	
* ⚠ 3-1	V9596700	P.C.B. ASS'Y	MAIN	UC	PCB メイン	
* ⚠ 3-1	V9596800	P.C.B. ASS'Y	MAIN	RTK	PCB メイン	
* ⚠ 3-1	V9596900	P.C.B. ASS'Y	MAIN	A	PCB メイン	
3-22	VV849300	SHEET	19x24		シート/放熱	01
* 3-23	WA206900	SHEET/SHIELD A			シート/シールド A	
* 3-24	WA207000	SHEET/SHIELD B			シート/シールド B	
3-25	VQ368600	PUSH RIVET	P3555-B		プッシュリベット	01
* 3-26	V9120600	DUCT			ダクト	
3-32	VK173200	SCREW, TRANSISTOR	3x15 SP MFC2		スクリューTR	01
3-33	VT669300	PW HEAD B-TITE SCREW	3x8-8 MFC2		PWヘッドBタイトネジ	01
3-34	VB770200	PW HEAD P-TITE SCREW	3x10-8 MFC2		PWヘッドPタイトネジ	01
* ⚠ 7	V9591000	P.C.B. ASS'Y	POWER	J	PCB集成 パワー	
* ⚠ 7	V9591100	P.C.B. ASS'Y	POWER	UC	PCB集成 パワー	
* ⚠ 7	V9591200	P.C.B. ASS'Y	POWER	RTK	PCB集成 パワー	
* ⚠ 7	V9591300	P.C.B. ASS'Y	POWER	A	PCB集成 パワー	

\* New Parts \* 新規部品(マーク#の部品は、基板に含まれません)

RX-V1300/RX-V1300RDS/HTR-5590/DSP-AX1300

EXPLODED VIEW



## RX-V1300/RX-V1300RDS/HTR-5590/DSP-AX1300

## MECHANICAL PARTS

Schm Ref.	PART NO.	Description	Remarks	Markets	部 品 名	Rank
* 3-1	V9596000	P.C.B. ASS'Y	MAIN	AX1300	J PCB メイン	
* 3-1	V9596100	P.C.B. ASS'Y	MAIN	V1300	UC PCB メイン	
* 3-1	V9596200	P.C.B. ASS'Y	MAIN	V1300	RTKA PCB メイン	
* 3-1	V9596300	P.C.B. ASS'Y	MAIN	V1300	BG PCB メイン	
* 3-1	V9596400	P.C.B. ASS'Y	MAIN	5590	UC PCB メイン	
* 3-1	V9596500	P.C.B. ASS'Y	MAIN	5590	TKA PCB メイン	
* 6	V9590000	P.C.B. ASS'Y	FUNCTION		J PCB ファンクション	
* 6	V9590100	P.C.B. ASS'Y	FUNCTION		UC PCB ファンクション	
* 6	V9590200	P.C.B. ASS'Y	FUNCTION		RTK PCB ファンクション	
* 6	V9590300	P.C.B. ASS'Y	FUNCTION		A PCB ファンクション	
* 6	V9590400	P.C.B. ASS'Y	FUNCTION		BG PCB ファンクション	
* 7	V9591000	P.C.B. ASS'Y	POWER	AX1300	J PCB 集成 パワー	
* 7	V9591100	P.C.B. ASS'Y	POWER	V1300	UC PCB 集成 パワー	
* 7	V9591200	P.C.B. ASS'Y	POWER	V1300, 5590	RTK PCB 集成 パワー	
* 7	V9591300	P.C.B. ASS'Y	POWER	V1300, 5590	A PCB 集成 パワー	
* 7	V9591400	P.C.B. ASS'Y	POWER	V1300	B PCB 集成 パワー	
* 7	V9591500	P.C.B. ASS'Y	POWER	V1300	G PCB 集成 パワー	
* 7	V9591600	P.C.B. ASS'Y	POWER	5590	UC PCB 集成 パワー	
* 8	V9592000	P.C.B. ASS'Y	DSP		J PCB DSP	
* 8	V9592100	P.C.B. ASS'Y	DSP		UCRTKABG PCB DSP	
* 9	V9593000	P.C.B. ASS'Y	VIDEO		J PCB ビデオ	
* 9	V9593100	P.C.B. ASS'Y	VIDEO		UC PCB ビデオ	
* 9	V9593200	P.C.B. ASS'Y	VIDEO		RTK PCB ビデオ	
* 9	V9593300	P.C.B. ASS'Y	VIDEO		A PCB ビデオ	
* 9	V9593400	P.C.B. ASS'Y	VIDEO		BG PCB ビデオ	
* 10	V9595000	P.C.B. ASS'Y	OPERATION		JRTK PCB 集成オペレーション	
* 10	V9595100	P.C.B. ASS'Y	OPERATION		UCA PCB 集成オペレーション	
* 10	V9595200	P.C.B. ASS'Y	OPERATION		BG PCB 集成オペレーション	
* 11	V7424200	AM/FM TUNER	FAE350-J10F		J AM/FM チューナ	13
* 11	V7424300	AM/FM TUNER	FAE350-A10F		UCRTKA AM/FM チューナ	
* 11	V7424400	AM/FM TUNER	FAE404-E10F		BG AM/FM チューナ	
* 14	X2914A00	POWER TRANSFORMER			J 電源トランス	
* 14	X2915A00	POWER TRANSFORMER			UC 電源トランス	
* 14	X2921A00	POWER TRANSFORMER			RTK 電源トランス	
* 14	X2922A00	POWER TRANSFORMER			A 電源トランス	
* 14	X2923A00	POWER TRANSFORMER			B 電源トランス	
* 14	X2918A00	POWER TRANSFORMER			G 電源トランス	
* 16	V9293500	POWER CABLE	2m	5590	UC 電源コード	
* 16	VZ542500	POWER CABLE	2m		RT 電源コード	05
* 16	V8013000	POWER CABLE	2m		K 電源コード	
* 16	V2296800	POWER CABLE	2m		A 電源コード	
* 16	VV437300	POWER CABLE	2m		B 電源コード	08
* 17	V2438700	CORD STOPPER	10P1		UCRTKAB コードストッパー	02
* 22	V8563700	DC FAN MOTOR	3110KL-05W-B40-T21		DC ファンモーター	
* 25	MF107500	FLEXIBLE FLAT CABLE	7P 500mm P=1.25		カード電線 C&C	
* 26	MF111300	FLEXIBLE FLAT CABLE	11P 300mm P=1.25		カード電線 C&C	
26	MF113100	FLEXIBLE FLAT CABLE	13P 100mm		カード電線 C&C	01
27	MF115070	FLEXIBLE FLAT CABLE	15P 70mm P=1.25		カード電線 C&C	
28	MF116100	FLEXIBLE FLAT CABLE	16P 100mm		カード電線 C&C	02
29	MF115180	FLEXIBLE FLAT CABLE	15P 180mm P=1.25		カード電線 C&C	01
* 30	MF116400	FLEXIBLE FLAT CABLE	16P 400mm P=1.25		カード電線 C&C	

\* New Parts \* 新規部品(マーク#の部品は、基板に含まれません)

## RX-V1300/RX-V1300RDS/HTR-5590/DSP-AX1300

Schm Ref.	PART NO.	Description	Remarks	Markets	部 品 名	Rank
31	MF117180	FLEXIBLE FLAT CABLE	17P 180mm		カード電線 C&C	02
* 32	MB019250	S FLEXIBLE FLAT CABLE	19P 250mm P=1.25		S カード電線 C&C	
33	Vi491100	FERRITE CORE	BP53RB19012080M		フェライトコア	02
* 101	V9151200	TOP COVER		GD	トップカバー	
* 101	V9151100	TOP COVER		BL	トップカバー	
* 101	V9151300	TOP COVER		TI	トップカバー	
* 103	V9108900	REAR PANEL		AX1300	J リヤパネル	
* 103	V9108400	REAR PANEL		V1300	UC リヤパネル	
* 103	V9108600	REAR PANEL		V1300	RTK リヤパネル	
* 103	V9108700	REAR PANEL		V1300	A リヤパネル	
* 103	V9109100	REAR PANEL		V1300RDS	B リヤパネル	
* 103	V9109200	REAR PANEL		V1300RDS	G リヤパネル	
* 103	V9110100	REAR PANEL		5590	UC リヤパネル	
* 103	V9110400	REAR PANEL		5590	TK リヤパネル	
* 103	V9110500	REAR PANEL		5590	A リヤパネル	
120	V0042500	LEG	D60xH21	V1300GD, 5590GD	レッグ	03
120	VS025000	LEG	D60xH21	V1300BL, TI	レッグ	02
120	VV544300	LEG	D60xH21	5590BL	レッグ	02
* 132	V9124800	KNOB D47		V1300GD	ノブ D 4 7	
* 132	V9124700	KNOB D47		V1300BL	ノブ D 4 7	
* 132	V9124900	KNOB D47		V1300TI	ノブ D 4 7	
* 132	V9120000	KNOB D47		5590GD	ノブ D 4 7	
* 132	V9119800	KNOB D47		5590BL	ノブ D 4 7	
* 133	V9119300	KNOB D20		V1300GD, 5590GD	ノブ D 2 0	
* 133	V9119200	KNOB D20		V1300BL, 5590BL	ノブ D 2 0	
* 133	V9119400	KNOB D20		V1300TI	ノブ D 2 0	
* 134	V9119600	KNOB D26		V1300GD, 5590GD	ノブ D 2 6	
* 134	V9119500	KNOB D26		V1300BL, 5590BL	ノブ D 2 6	
* 134	V9119700	KNOB D26		V1300TI	ノブ D 2 6	
136	VQ368600	PUSH RIVET	P3555-B		プッシュリベット	01
* 142	V9115200	SHEET, WINDOW			シート/ウインドウ	
* 143	V9114100	PLATE, SIDE		GD	プレート/サイド	
* 143	V9114000	PLATE, SIDE		BL	プレート/サイド	
* 143	V9114200	PLATE, SIDE		TI	プレート/サイド	
145	V3198100	DAMPER	GUARD		ダンパー	01
146	V6773900	DAMPER	SIDE		ダンパー/サイド	
* 147	V9975900	DAMPER	3.5x40x40		ダンパー	
* 148	WA141100	DAMPER	TOP		ダンパー	
* 149	WA207100	DAMPER	2x70x200		ダンパー	
* 150	V8466300	COVER/AC OUTLETS		G K	カバー/ACアウトレット	
161	VN413300	BIND HEAD BONDING B-T. SCREW	3x8 MFZ2BL		ボンディングBタイトネジ	01
162	EP600830	BIND HEAD B-TITE SCREW	3x8 MFC2BL		バインドBタイトネジ	01
164	VT669400	PW HEAD B-TITE SCREW	3x15-8 MFC2		PWヘッドBタイトネジ	01
* 165	WA247600	SCREW/TRANS #S	4x10-10 MFZ2NY		スクリー/トランス #S	01
166	EP600250	BIND HEAD B-TITE SCREW	3x8 MFZ2NY		バインドBタイトネジ	01
167	VT669300	PW HEAD B-TITE SCREW	3x8-8 MFC2		PWヘッドBタイトネジ	01
169	VZ893000	DECORATED SCREW S-TIGHT	4x8-10 MFNI33	GD	化粧ネジSタイト	02
169	VK522000	SPECIAL SCREW S-TITE	4x8-10 MFC2BL	BL	化粧ネジSタイト	01
169	VK522100	SPECIAL SCREW S-TITE	4x8-10 MFC2BL	TI	化粧ネジSタイト	01
170	AA627310	GROUND TERMINAL			GNDターミナル	01
171	VD069600	PW HEAD S-TITE SCREW	4x8-10 MFNI33	GD	PWヘッドSタイトネジ	01

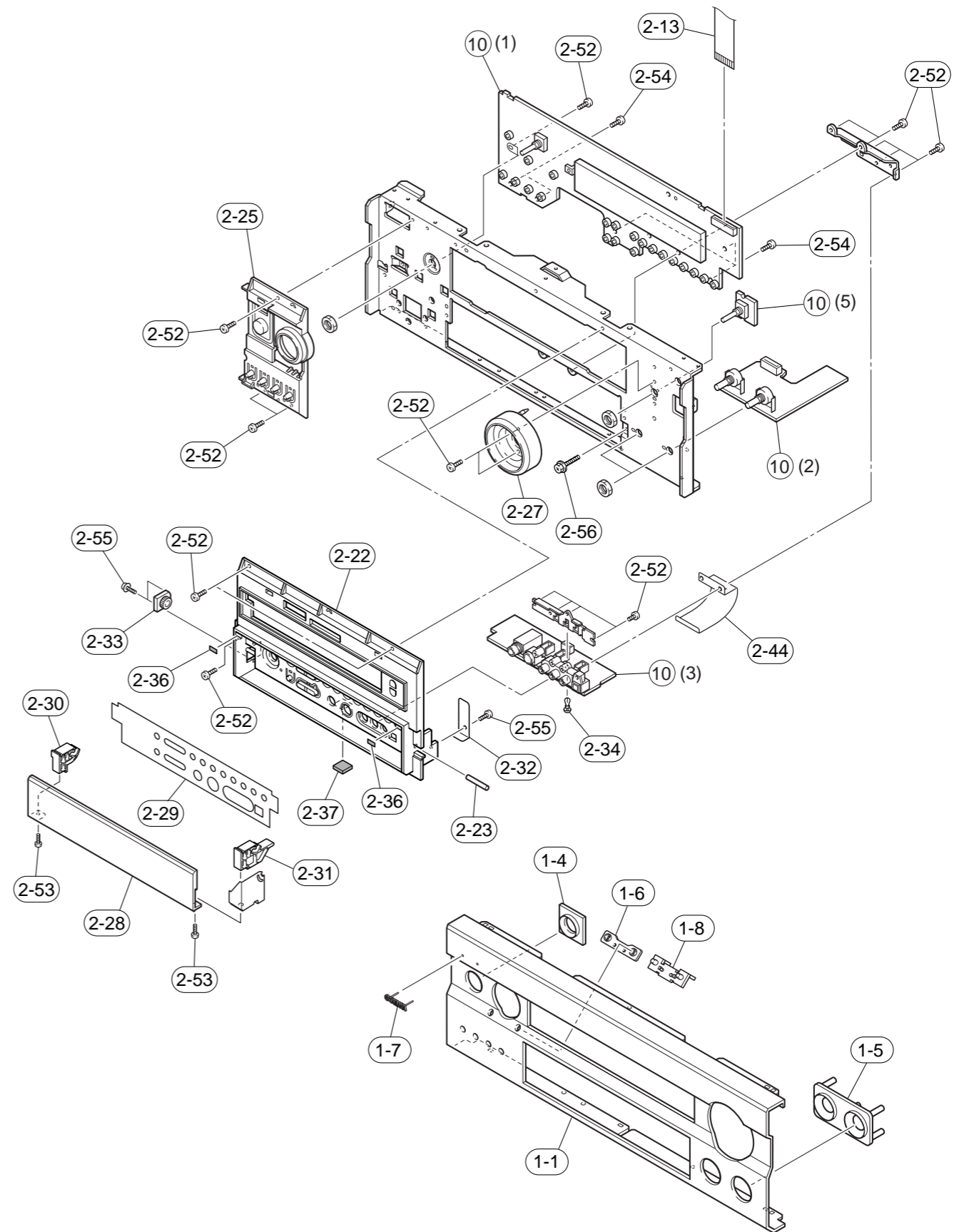
\* New Parts \* 新規部品(マーク#の部品は、基板に含まれません)

**RX-V1300/RX-V1300RDS/HTR-5590/DSP-AX1300**

**RX-V1300/RX-V1300RDS/HTR-5590/DSP-AX1300**

**FRONT PANEL & SUB CHASSIS UNIT**

Schm Ref.	PART NO.	Description	Remarks	Markets	部品名	Rank	
171	21991500	PW HEAD S-TITE SCREW	4x8-10	MFC2BL	BL	PWヘッドSタイトネジ	01
171	VH313200	BW HEAD S-TITE SCREW	4x8-10	MFNI3BL	TI	BWヘッドSタイトネジ	01
173	VV220300	BIND HEAD B-TITE SCREW	3x30	MFZN2BL		バインドBタイトネジ	01
174	VB770200	PW HEAD P-TITE SCREW	3x10-8	MFC2		PWヘッドPタイトネジ	01
		ACCESSORIES				付属品	
* 200	V9272100	REMOTE CONTROL	RAV234	BW0905	JUCRKA	リモコン	
* 200	V9272200	REMOTE CONTROL	RAV235	BW0906	BG	リモコン	
200-1	AAX31620	BATTERY COVER	71-0900-02000	71-0900-02000		電池蓋	05
202	V6267000	INDOOR FM ANTENNA	1.4m 1pc		JUCRKA	FM簡易アンテナ	03
202	VQ147100	INDOOR FM ANTENNA	1.4m 1pc		ABG	FM簡易アンテナ	02
203	VR248500	AM LOOP ANTENNA	1.0m 1pc			AMループアンテナ	03
204	VE364900	ANTENNA ADAPTER	PAL 75-300Ω		B	整合器	03
* 205	V7765900	POWER CABLE	2m 1pc		J	電源コード	06
* 205	V7704800	POWER CABLE	2m 1pc	V1300	UC	電源コード	
* 205	V7704900	POWER CABLE	2m 1pc		G	電源コード	
		BATTERY, MANGANESE	UM-4NE (2PC)			マンガン電池 2PC	



\* New Parts \* 新規部品 (マーク#の部品は、基板に含まれません)

**RX-V1300/RX-V1300RDS/HTR-5590/DSP-AX1300**

■ **FRONT PANEL & SUB CHASSIS UNIT**

Schm Ref.	PART NO.	Description	Remarks	Markets	部 品 名	Rank	
*	1-1	V9111200	FRONT PANEL	AX1300GD		フロントパネル	
*	1-1	V9110800	FRONT PANEL	V1300GD		フロントパネル	
*	1-1	V9111000	FRONT PANEL	V1300RDSGD		フロントパネル	
*	1-1	V9110700	FRONT PANEL	V1300BL		フロントパネル	
*	1-1	V9110900	FRONT PANEL	V1300RDSBL		フロントパネル	
*	1-1	V9111100	FRONT PANEL	V1300RDSTI		フロントパネル	
*	1-1	V9111400	FRONT PANEL	5590GD		フロントパネル	
*	1-1	V9111300	FRONT PANEL	5590BL		フロントパネル	
	1-4	V6003900	ESCUTCHEON/POWER	GD		エスカッション/パワー	
*	1-4	V6003800	ESCUTCHEON/POWER	BL		エスカッション/パワー	
*	1-4	V9800900	ESCUTCHEON/POWER	TI		エスカッション/パワー	
*	1-5	V9115000	ESCUTCHEON/TC	GD		エスカッション/TC	
*	1-5	V9114900	ESCUTCHEON/TC	BL		エスカッション/TC	
*	1-5	V9115100	ESCUTCHEON/TC	TI		エスカッション/TC	
*	1-6	V9114300	ESCUTCHEON/2P			エスカッション/2P	
	1-7	V6034200	EMBLEM	GD, 5590BL		エンブレム	03
	1-7	V6034100	EMBLEM	V1300BL, TI		エンブレム	03
*	1-8	V9113700	BUTTON	GD		ボタン 2P	
*	1-8	V9113600	BUTTON	BL		ボタン 2P	
*	1-8	V9113800	BUTTON	TI		ボタン 2P	
	2-13	MF119140	FLEXIBLE FLAT CABLE	19P 140mm		カード電線 C&C	03
*	2-22	V9113100	SUBPANEL/CASE	1300GD, 5590GD		サブパネル/ケース	
*	2-22	V9112800	SUBPANEL/CASE	V1300RDSGD		サブパネル/ケース	
*	2-22	V9113000	SUBPANEL/CASE	V1300BL, 5590BL		サブパネル/ケース	
*	2-22	V9112700	SUBPANEL/CASE	V1300RDSBL		サブパネル/ケース	
*	2-22	V9112900	SUBPANEL/CASE	V1300RDSTI		サブパネル/ケース	
*	2-23	V9126500	SHAFT			シャフト	
*	2-25	V9113400	BUTTON, PLAY	V1300GD, 5590GD		ボタン/P	
*	2-25	V9113300	BUTTON, PLAY	V1300BL		ボタン/P	
*	2-25	V9113500	BUTTON, PLAY	V1300TI		ボタン/P	
*	2-25	V9133600	BUTTON, PLAY	5590BL		ボタン/P	
*	2-27	V9114700	ESCUTCHEON, VOL	GD		エスカッション/VOL	
*	2-27	V9114600	ESCUTCHEON, VOL	BL		エスカッション/VOL	
*	2-27	V9114800	ESCUTCHEON, VOL	TI		エスカッション/VOL	
*	2-28	V9111900	PANEL, LID	GD		パネル/リッド	
*	2-28	V9111800	PANEL, LID	BL		パネル/リッド	
*	2-28	V9112000	PANEL, LID	TI		パネル/リッド	
*	2-29	V9120800	PLATE, SP	V1300GD, 5590GD		プレート/SP	
*	2-29	V9121100	PLATE, SP	V1300DRSGD		プレート/SP	
*	2-29	V9120700	PLATE, SP	V1300BL		プレート/SP	
*	2-29	V9121000	PLATE, SP	V1300RDSBL		プレート/SP	
*	2-29	V9121200	PLATE, SP	V1300RDSTI		プレート/SP	
*	2-29	V9120900	PLATE, SP	5590BL		プレート/SP	
	2-30	V6005100	HINGE, L	GD		ヒンジ L	01
*	2-30	V6005000	HINGE, L	BL		ヒンジ L	
*	2-30	V6005200	HINGE, L	TI		ヒンジ L	
	2-31	V6005400	HINGE, R	GD		ヒンジ R	01
*	2-31	V6005300	HINGE, R	BL		ヒンジ R	
*	2-31	V6005500	HINGE, R	TI		ヒンジ R	
	2-32	V4593300	SPRING, LID			スプリング/リッド	
*	2-33	V9124600	DAMPER, GEAR			ダンパー/ギヤ	

\* New Parts \* 新規部品 (マーク#の部品は、基板に含まれません)

RX-V1300/RX-V1300RDS/HTR-5590/DSP-AX1300  
RX-V2300/DSP-AX2300

**RX-V1300/RX-V1300RDS/HTR-5590/DSP-AX1300**

Schm Ref.	PART NO.	Description	Remarks	Markets	部 品 名	Rank
2-34	VQ368600	PUSH RIVET	P3555-B		プッシュリベット	01
2-36	VY940400	CUSHION, LID	T=0.8		クッション/L I D	01
2-37	VV982000	DAMPER	1x12x12		ダンパー	01
* 2-44	WA093200	SHEET, GND			シート/アース	
2-52	EP600250	BIND HEAD B-TITE SCREW	3x8 MFZN2Y		バインドBタイトネジ	01
2-53	VG863900	BIND HEAD TAPPING SCREW	2.6x6 MFZN2BL		バインドTPネジ	01
2-54	EP630220	BIND HEAD P-TITE SCREW	3x8 MFZN2BL		バインドPタイトネジ	01
2-55	VE529700	PW HEAD B-TITE SCREW	3x6-8 MFC2BL		PWヘッドBタイトネジ	01
2-56	VK173200	SCREW, TRANSISTOR	3x15 SP MFC2		スクリューTR	01
* 10	V9595000	P. C. B. ASS'Y	OPERATION	JRTK	P C B 集成オペレーション	
* 10	V9595100	P. C. B. ASS'Y	OPERATION	UCA	P C B 集成オペレーション	
* 10	V9595200	P. C. B. ASS'Y	OPERATION	BG	P C B 集成オペレーション	

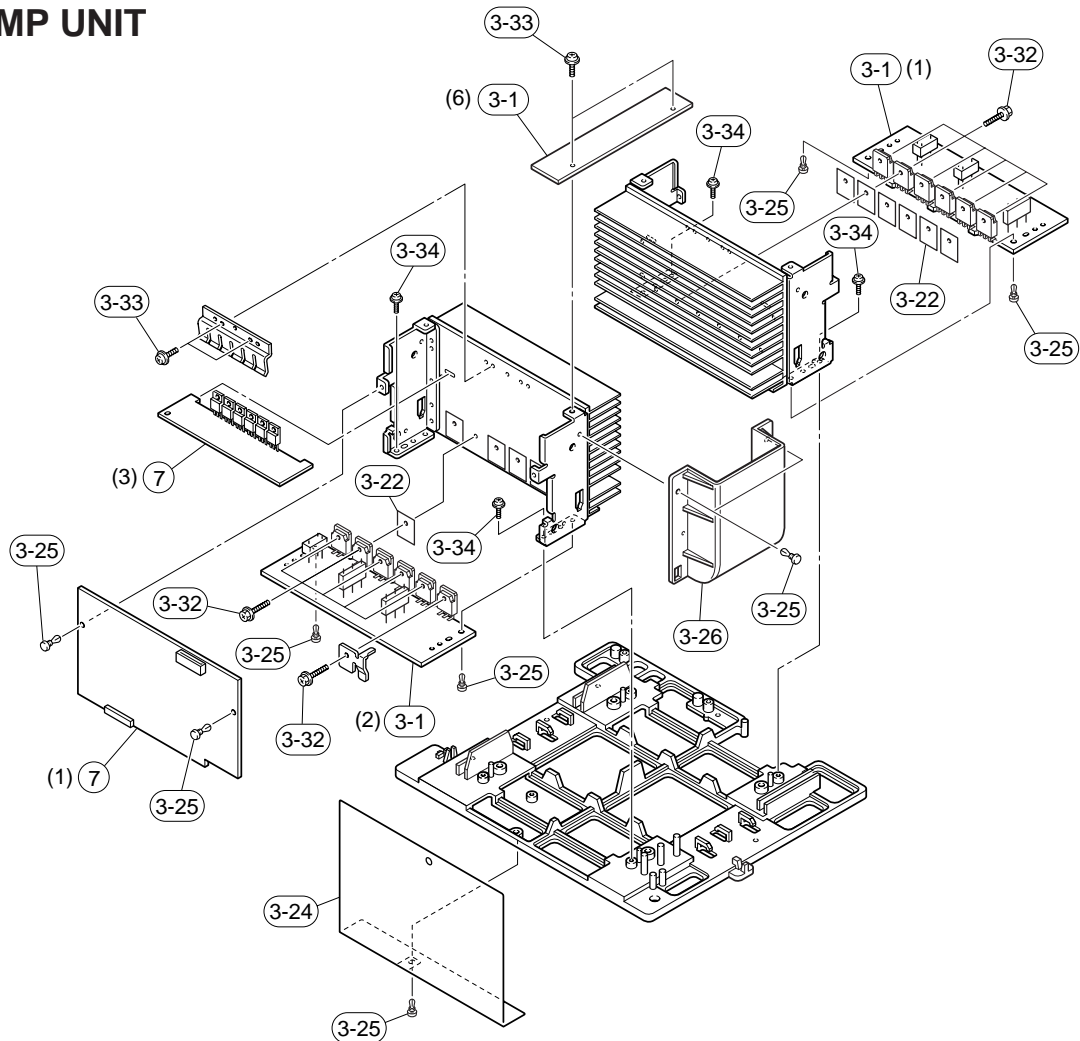
\* New Parts \* 新規部品(マーク#の部品は、基板に含まれません)

RX-V2300/DSP-AX2300  
 RX-V1300/RX-V1300RDS/HTR-5590/DSP-AX1300



# RX-V1300/RX-V1300RDS/HTR-5590/DSP-AX1300

## AMP UNIT

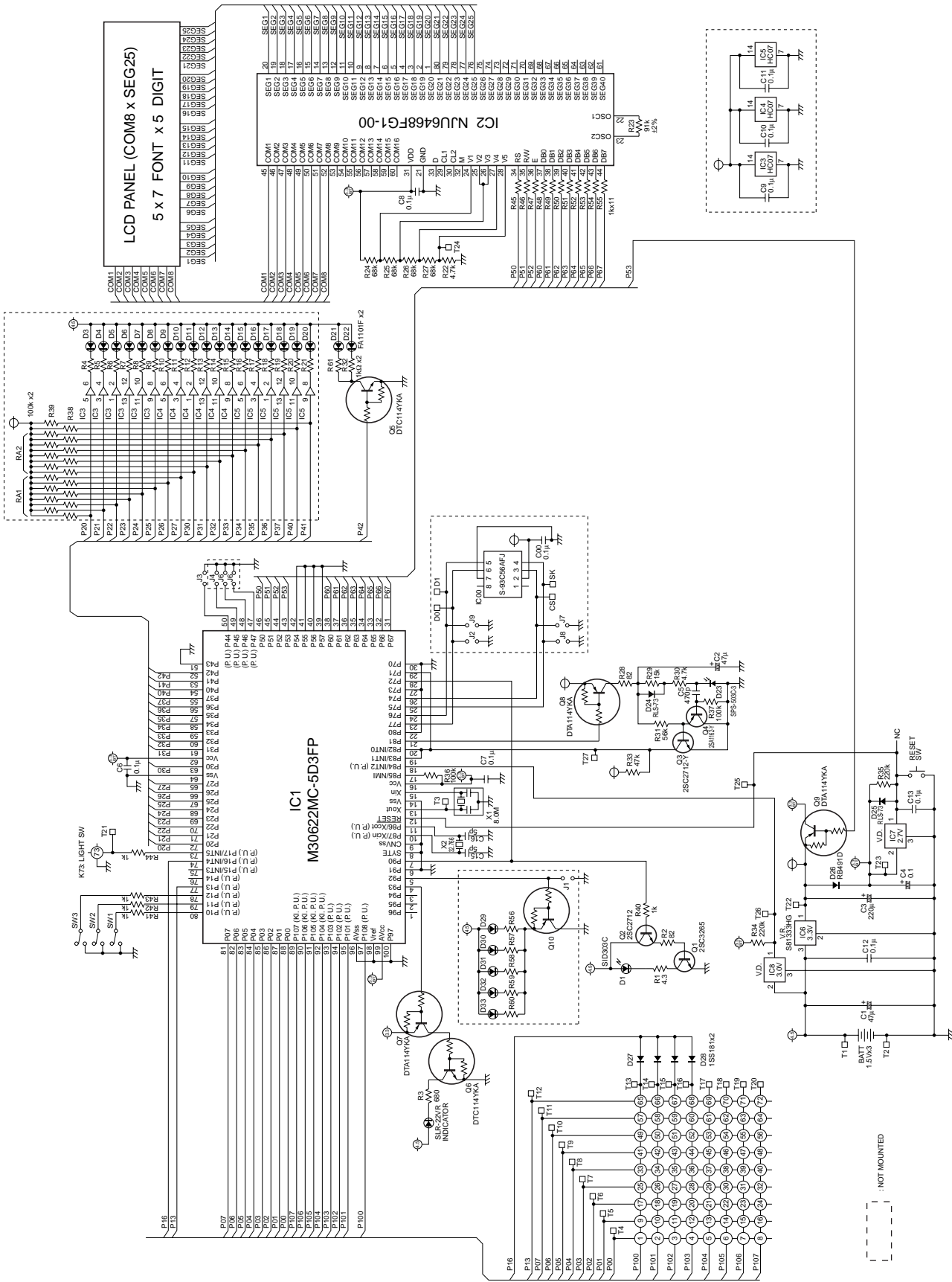


Schm Ref.	PART NO.	Description	Remarks	Markets	部品名	Rank	
* ⚠ 5	3-1	V9596000 P. C. B. ASS'Y	MAIN	AX1300	J	PCB メイン	
* ⚠	3-1	V9596100 P. C. B. ASS'Y	MAIN	V1300	UC	PCB メイン	
* ⚠	3-1	V9596200 P. C. B. ASS'Y	MAIN	V1300	RTKA	PCB メイン	
* ⚠	3-1	V9596300 P. C. B. ASS'Y	MAIN	V1300	BG	PCB メイン	
* ⚠	3-1	V9596400 P. C. B. ASS'Y	MAIN	5590	UC	PCB メイン	
* ⚠	3-1	V9596500 P. C. B. ASS'Y	MAIN	5590	TKA	PCB メイン	
*	3-22	VV849300 SHEET	19x24			シート/放熱	01
*	3-24	WA207000 SHEET/SHIELD B				シート/シールド B	
*	3-25	VQ368600 PUSH RIVET	P3555(B)			プッシュリベット	01
*	3-26	V9120600 DUCT				ダクト	
6	3-32	VK173200 SCREW, TRANSISTOR	3x15 SP MFC2			スクリューTR	01
	3-33	VT669300 PW HEAD B-TITE SCREW	3x8-8 MFC2			PWヘッドBタイトネジ	01
	3-34	VB770200 PW HEAD P-TITE SCREW	3x10-8 MFC2			PWヘッドPタイトネジ	01
* ⚠	7	V9591000 P. C. B. ASS'Y	POWER	AX1300	J	PCB集成 パワー	
* ⚠	7	V9591100 P. C. B. ASS'Y	POWER	V1300	UC	PCB集成 パワー	
* ⚠	7	V9591200 P. C. B. ASS'Y	POWER	V1300, 5590	RTK	PCB集成 パワー	
* ⚠	7	V9591300 P. C. B. ASS'Y	POWER	V1300, 5590	A	PCB集成 パワー	
* ⚠	7	V9591400 P. C. B. ASS'Y	POWER	V1300	B	PCB集成 パワー	
* ⚠	7	V9591500 P. C. B. ASS'Y	POWER	V1300	G	PCB集成 パワー	
* ⚠	7	V9591600 P. C. B. ASS'Y	POWER	5590	UC	PCB集成 パワー	

\* New Parts \* 新規部品(マーク#の部品は、基板に含まれません)

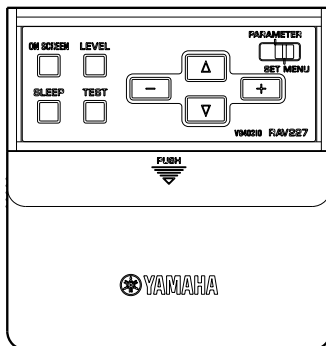
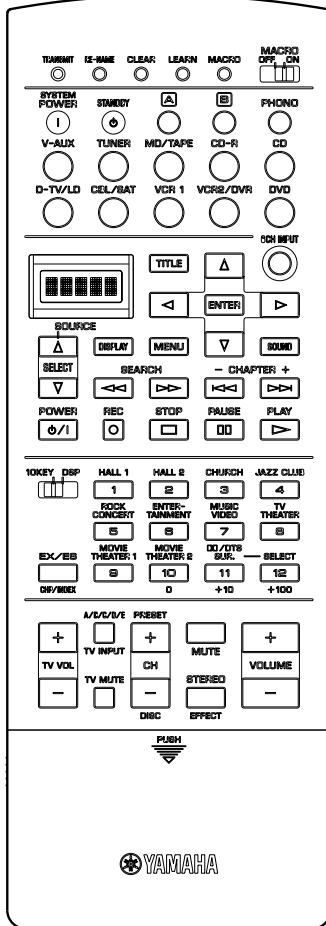
# RX-V2300/DSP-AX2300

## REMOTE CONTROL RAV227



: NOT MOUNTED

# RX-V2300/DSP-AX2300



## Initial Code

Key No.	Key Name	YPC	DSP *1	Zone2 *2
1	—	—	—	—
2	RE-NAME	—	—	—
3	CLEAR	—	—	—
4	LEARN	—	—	—
5	MACRO	—	—	—
6	POWER on	*7A-1D	7D-90	*7E-BA
7	STANDBY	7A-1E	7D-91	7E-BB
8	A	—	—	—
9	B	—	—	—
10	PHONO	7A-14	7D-88	7A-D0
11	V-AUX	7A-55	7D-8A	7A-D8
12	TUNER	7A-16	7D-89	7A-D2
13	MD/TAPE	7A-18	7D-8B	7A-D3
14	CD-R	7A-19	7D-99	7A-D4
15	CD	7A-15	7D-87	7A-D1
16	D-TV/LD	7A-54	7D-84	7A-D9
17	CBL/SAT	7A-C0	7D-96	7A-CC
18	VCR1	7A-0F	7D-81	7A-D6
19	VCR2/DVR	7A-13	7D-82	7A-D7
20	DVD	7A-C1	7D-97	7A-CD
21	EXT. DEC.	7A-87	7D-8C	7A-87

\*1: These code are transmitted when "DSP" is set-up as AMP library.

\*2: These code are transmitted when "ZONE2" is chosen with Select key.

CAUTION) This is displayed as a possible selection when the AMP library is set in ZONE 2.

\*: Transmitting Code of K6, "7A-1D"/"7E-BA"  
Full word transmitted twice.

Any device not listed on this table has no initial code.

\*1: AMPライブラリーをDSPに設定することで送信されます。

\*2: SelectキーによりZONE2を選択することで送信されます。注意) AMPライブラリーをZONE2に設定した場合に選択肢として表示されます。

\*: K6送信コード"7A-1D"/"7E-BA"についてワード部が2回送信されます。

本表に記載なきデバイスの初期コードはありません。

Device					DVD (K20)	CD-R (K14)	CD (K15)	MD/TAPE (K13)	TUNER (K12)	A (K8)
22	Up	→	→	→	7C-B4	—	—	—	—	—
23	TITLE	→	→	→	7C-B1	—	—	—	—	—
24	Left	→	→	→	7C-B5	—	—	—	—	—
25	ENTER	→	→	→	7C-B8	—	—	—	—	—
26	Right	→	→	→	7C-B6	—	—	—	—	—
27	SOUND	→	→	→	7C-AD	—	—	—	—	7C-12
28	Down	→	→	→	7C-B3	—	—	—	—	—
29	MENU	→	→	→	7C-B2	—	—	—	—	—
30	DISPLAY	→	→	→	7C-A6	7F-9E	79-0A	79-A5	—	7C-13
31	REW	→	→	→	7C-86	7F-88	7A-0D	79-AC	—	7C-06
32	FF	→	→	→	7C-87	7F-89	7A-0C	79-AD	—	7C-07
33	CHP/SKIP -	→	→	→	7C-89	7F-86	7A-0B	79-AB	—	7C-02
34	CHP/SKIP +	→	→	→	7C-BA	7F-87	7A-0A	79-AE	—	7C-03
35	PLAY	→	→	→	7C-82	7F-82	7A-08	79-A8	—	7C-05
36	PAUSE	→	→	→	7C-83	7F-83	7A-09	79-A9	—	7C-5A
37	STOP	→	→	→	7C-85	7F-84	7A-09	79-AA	—	7C-5B
38	REC	→	→	→	7C-B7	—	—	79-AF	—	—
39	POWER	→	→	→	—	—	—	—	—	—
40	SELECT down	→	→	→	—	—	—	—	—	—
41	SELECT up	→	→	→	—	—	—	—	—	—
SW2					DSP					
					10 key					
42	PRG1	7A-88	7D-D0	7A-88	7C-94	7F-91	79-11	79-85	7A-E5	7C-17
43	PRG2	7A-89	7D-D1	7A-89	7C-95	7F-92	79-12	79-86	7A-E6	7C-18
44	PRG3	7A-8A	7D-D2	7A-8A	7C-96	7F-93	79-13	79-87	7A-E7	7C-19
45	PRG4	7A-8B	7D-D3	7A-8B	7C-97	7F-94	79-14	79-88	7A-E8	7C-1A
46	PRG5	7A-8C	7D-D4	7A-8C	7C-98	7F-95	79-15	79-89	7A-E9	7C-1B
47	PRG6	7A-8D	7D-D5	7A-8D	7C-99	7F-96	79-16	79-8A	7A-EA	7C-1C
48	PRG7	7A-8E	7D-D6	7A-8E	7C-9A	7F-97	79-17	79-8B	7A-EB	7C-1D
49	PRG8	7A-8F	7D-D7	7A-8F	7C-9B	7F-98	79-18	79-8C	7A-EC	7C-1E
50	PRG9	7A-90	7D-D8	7A-90	7C-9C	7F-99	79-19	79-8D	7A-E1	7C-1F
51	PRG10	7A-91	7D-D9	7A-91	7C-9D	7F-90	79-10	79-8E	7A-E2	7C-16
52	PRG11	7A-92	7D-DA	7A-92	7C-9D	7F-9A	79-1A	79-8F	7A-E3	7C-5D
53	PRG12	7A-93	7D-DB	7A-96	7C-9F	7F-8C	79-0D	—	7A-E4	7C-5E
54	Extra	7A-97	7D-DF	7A-97	7C-9E	7F-8A	79-0B	—	7A-E0	7C-15
55	TV VOL up	→	→	→	—	—	—	—	—	—
56	TV VOL down	→	→	→	—	—	—	—	—	—
57	TV INPUT	→	→	→	—	—	—	—	7A-12	—
58	TV MUTE	→	→	→	—	—	—	—	—	—
59	CH up	→	→	→	7C-8B	—	7A-4F	—	7A-10	—
60	CH down	→	→	→	7C-8A	—	7A-50	—	7A-11	—
61	MUTE	7A-1C	7D-94	7A-DC	—	—	—	—	—	—
62	EFFECT	7A-56	7D-C1	7A-56	—	—	—	—	—	—
63	VOLUME up	7A-1A	7D-8D	7A-DA	—	—	—	—	—	—
64	VOLUME down	7A-1B	7D-8E	7A-DB	—	—	—	—	—	—
SW3					Parameter	Set Menu	Parameter	Set Menu	Parameter	Set Menu
65	ON SCREEN	7A-C2	7D-C2	7A-C2	—	—	—	—	—	—
66	SLEEP	7A-57	7D-93	7A-57	—	—	—	—	—	—
67	LEVEL	7A-86	7D-95	7A-86	—	—	—	—	—	—
68	TEST	7A-85	7D-CA	7A-85	—	—	—	—	—	—
69	LEFT	7A-C7	7A-9F	7D-C7	7D-9F	7A-C7	7A-9F	—	—	—
70	UP	7A-C5	7A-9D	7D-C5	7D-9D	7A-C5	7A-9D	—	—	—
71	DOWN	7A-C4	7A-9C	7D-C4	7D-9C	7A-C4	7A-9C	—	—	—
72	RIGHT	7A-C6	7A-9E	7D-C6	7D-9E	7A-C6	7A-9E	—	—	—

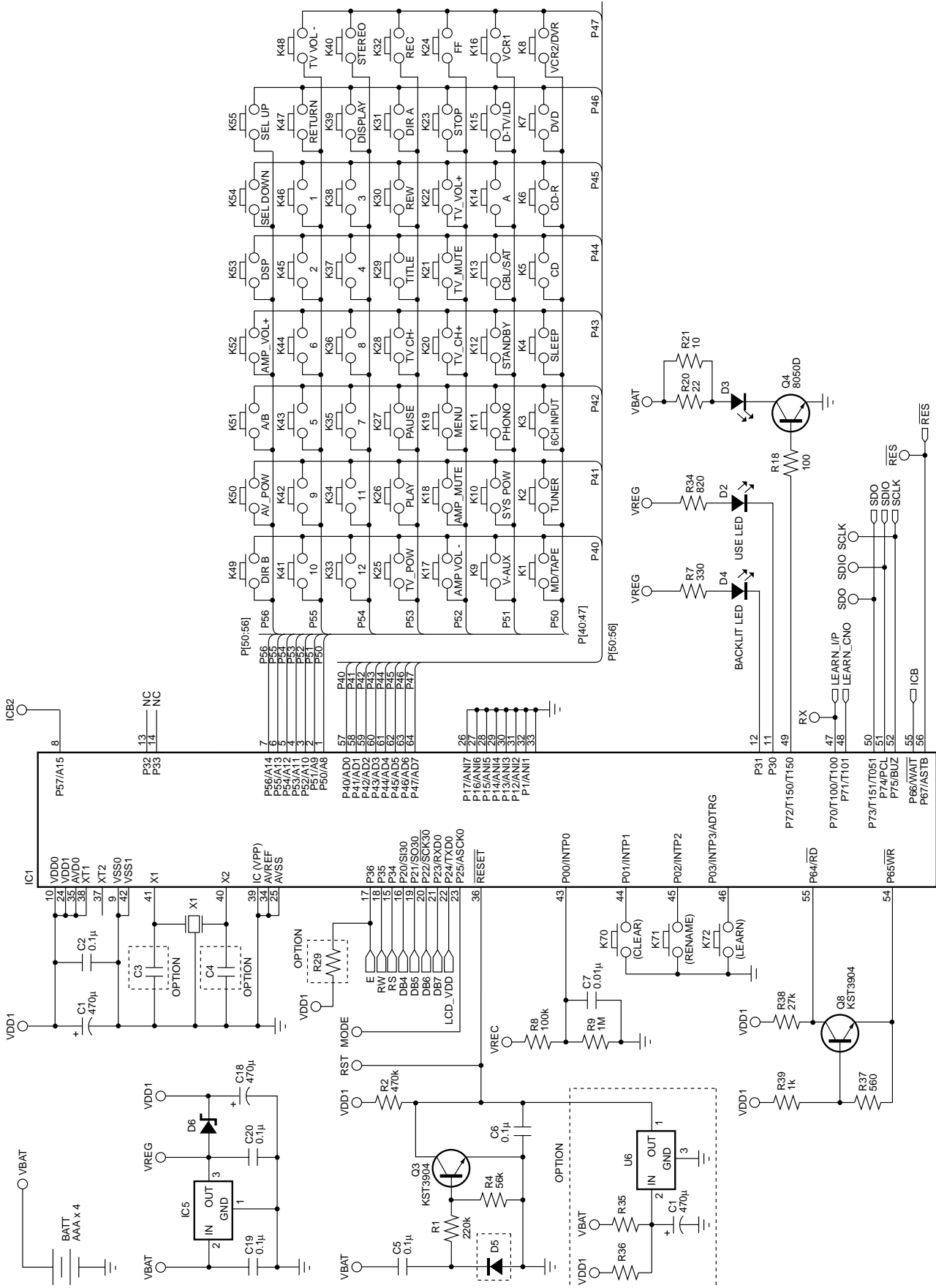
## Initial Macro setup

Key No.	Key Name	1	2	3	4-10
6	POWER on	K6	K39 TV	—	—
7	STANDBY	K7	—	—	—
8	A	K6	K8	—	—
9	B	K6	K9	—	—
10	PHONO	K6	K10	—	—
11	V-AUX	K6	K11	—	—
12	TUNER	K6	K12	—	—
13	MD/TAPE	K6	K13	K35	MD
14	CD-R	K6	K14	K35	CD-R
15	CD	K6	K15	K35	CD
16	D-TV/LD	K6	K16	—	—
17	CBL/SAT	K6	K17	—	—
18	VCR1	K6	K18	K35	VCR1
19	VCR2/DVR	K6	K19	K35	VCR2
20	DVD	K6	K20	K35	DVD

RX-V2300/DSP-AX2300  
RX-V1300/RX-V1300RDS/HTR-5590/DSP-AX1300

**RX-V1300/RX-V1300RDS/HTR-5590/DSP-AX1300**

**REMOTE CONTROL RAV234, RAV235**



**RX-V1300/RX-V1300RDS/HTR-5590/DSP-AX1300**

1

2

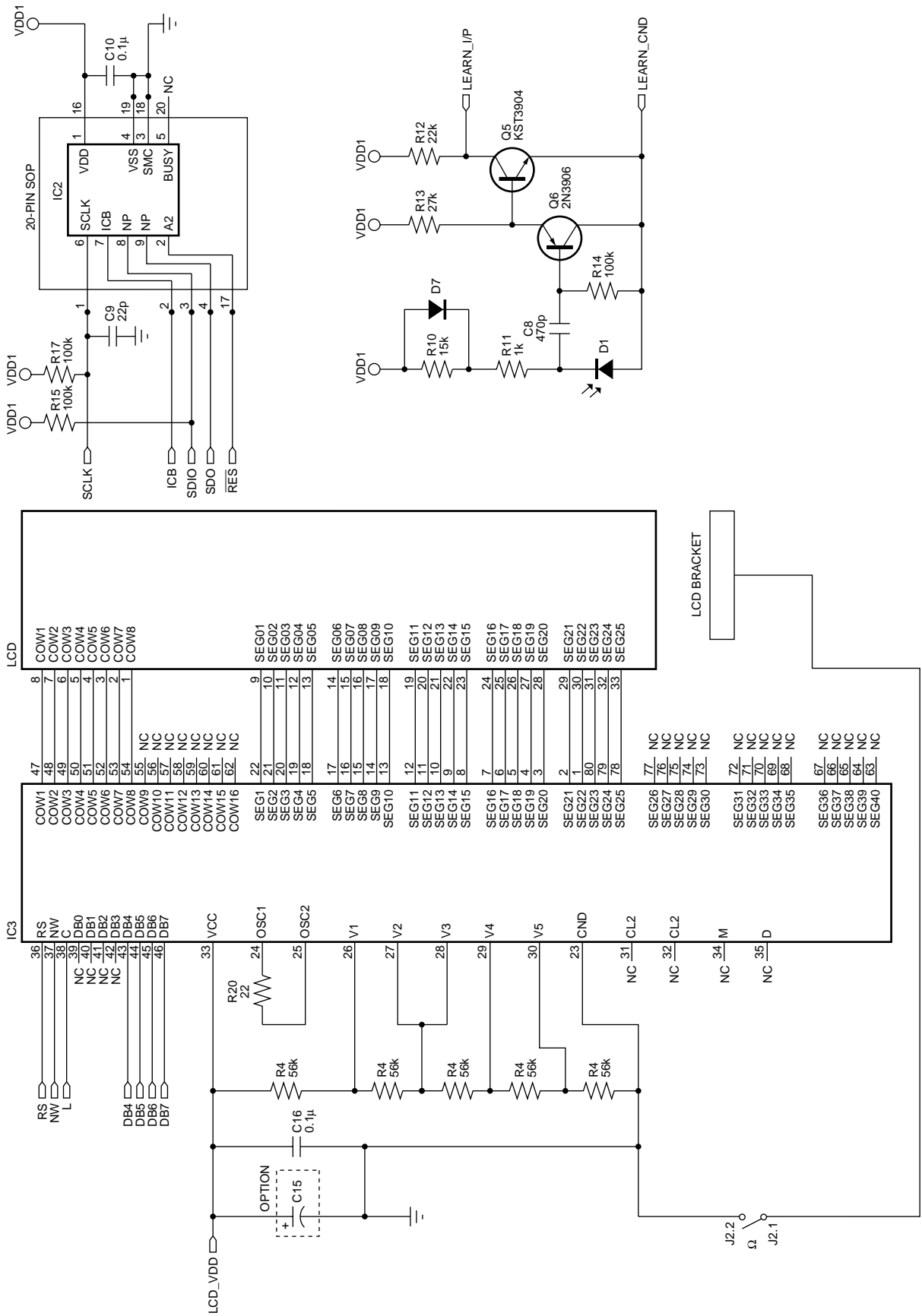
3

4

5

6

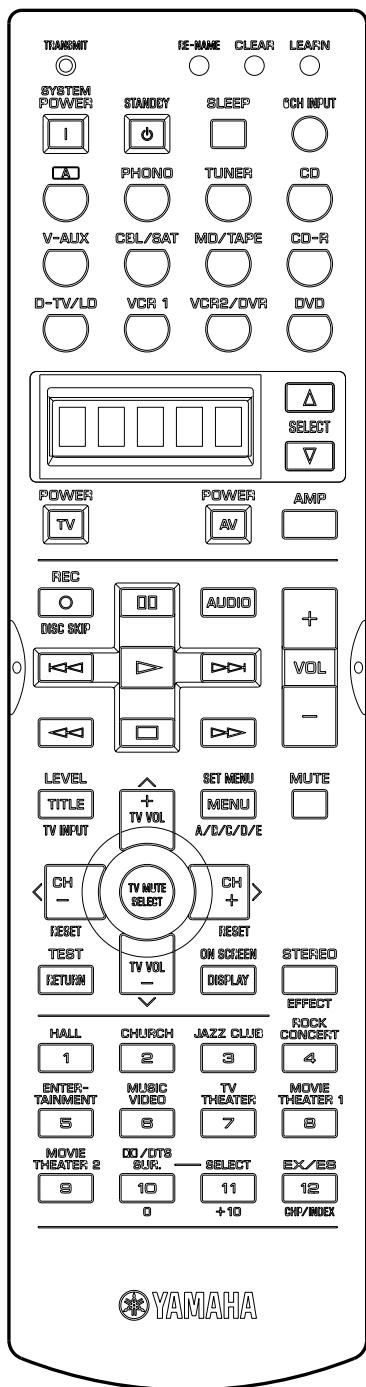
7



RX-V1300/RX-V1300RDS/HTR-5590/DSP-AX1300

RX-V2300/DSP-AX2300

**RX-V1300/RX-V1300RDS/HTR-5590/DSP-AX1300**



No.	Label	Schematic Key No.	Learn Table
-	TRANSMIT (LED)	-	-
-	-	-	-
1	RE-NAME (LED)	-	-
2	CLEAR (LED)	-	-
3	LEARN (LED)	-	-
4	SYSTEM POWER	K10	O
5	STANDBY	K12	O
6	SLEEP	K4	O
7	6CH INPUT	K3	O
8		K14	O
9	PHONO	K11	O
10	TUNER	K2	O
11	CD	K5	O
12	V-AUX	K9	O
13	CBL/SAT	K13	O
14	MD/TAPE	K1	O
15	CD-R	K6	O
16	D-TV/LD	K15	O
17	VCR 1	K16	O
18	VCR2/DVR	K8	O
19	DVD	K7	O
20		K55	-
21		K54	-

22	POWER [TV]	K25	O
23	POWER [AV]	K50	O
24	AMP	-	-
25	REC [O]	K32	O
26		K27	O
27	AUDIO	K51	O
28		K31	O
29		K26	O
30		K49	O
31		K30	O
32		K23	O
33		K24	O
34	VOL +	K52	O
35	VOL -	K17	O
36	LEVEL [TITLE]	K29	O
37	TV VOL +	K22	O
38	SET MENU [MENU]	K19	O
39	CH -	K28	O
40	TV MUTE SELECT	K21	O
41	CH +	K20	O
42	MUTE	K18	O
43	TEST [RETURN]	K47	O
44	TV VOL -	K48	O
45	ON SCREEN [DISPLAY]	K39	O
46	STEREO	K40	O
47	1	K46	O
48	2	K45	O
49	3	K38	O
50	4	K37	O
51	5	K43	O
52	6	K44	O
53	7	K35	O
54	8	K36	O
55	9	K42	O
56	10	K41	O
57	11	K34	O
58	12	K33	O

RX-V2300/DSP-AX2300  
 RX-V1300/RX-V1300RDS/HTR-5590/DSP-AX1300

**RX-V1300/RX-V1300RDS/HTR-5590/DSP-AX1300**

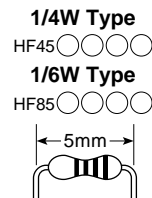
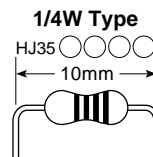
Common	AMP		YAMAHA Signal																																																																																																																																										
	YPC	(ZONE)																																																																																																																																											
-	-	-	Linked with IR signal																																																																																																																																										
-	-	-	-																																																																																																																																										
-	-	-	Change to RE-NAME mode																																																																																																																																										
-	-	-	Change to CLEAR mode (Learning clear, preset clear, 1 key clear, all key clear)																																																																																																																																										
-	-	-	Change to LEARNING or PRESET mode																																																																																																																																										
O	7A-1D	7E-BA	7A-1D	7A-1D	7A-1D	7A-1D	7A-1D	7A-1D	7A-1D	7A-1D	7A-1D	7A-1D	7A-1D	7A-1D	7A-1D																																																																																																																														
O	7A-1E	7E-BB	7A-1E	7A-1E	7A-1E	7A-1E	7A-1E	7A-1E	7A-1E	7A-1E	7A-1E	7A-1E	7A-1E	7A-1E	7A-1E																																																																																																																														
O	7A-57	7A-57	7A-57	7A-57	7A-57	7A-57	7A-57	7A-57	7A-57	7A-57	7A-57	7A-57	7A-57	7A-57	7A-57																																																																																																																														
O	7A-87	7A-87	7A-87	7A-87	7A-87	7A-87	7A-87	7A-87	7A-87	7A-87	7A-87	7A-87	7A-87	7A-87	7A-87																																																																																																																														
O	-	-	<INPUT Key>									Output IR signal & change Device mode (default: no signal)			A	A	LD	YAMAHA																																																																																																																											
O	7A-14	7A-D0										<INPUT Key>									Output IR signal & change Device mode			PHONO	PHO	TV	nothing																																																																																																																		
O	7A-16	7A-D2																			<INPUT Key>									Output IR signal & change Device mode			TUNER	TUN	TUNER	YAMAHA																																																																																																									
O	7A-15	7A-D1																												<INPUT Key>									Output IR signal & change Device mode			CD	CD	CD	YAMAHA																																																																																																
O	7A-55	7A-D8																																					<INPUT Key>									Output IR signal & change Device mode			V-AUX	AUX	VCR	nothing																																																																																							
O	7A-C0	7A-CC																																														<INPUT Key>									Output IR signal & change Device mode			CBSAT	SAT	CABLE	nothing																																																																														
O	7A-18	7A-D3																																																							<INPUT Key>									Output IR signal & change Device mode			MD	MD	MD	YAMAHA																																																																					
O	7A-19	7A-D4																																																																<INPUT Key>									Output IR signal & change Device mode			CD-R	CDR	CD-R	YAMAHA																																																												
O	7A-54	7A-D9																																																																									<INPUT Key>									Output IR signal & change Device mode			TV/LD	DTV	TV	nothing																																																			
O	7A-0F	7A-D6																																																																																		<INPUT Key>									Output IR signal & change Device mode			VCR1	VR1	VCR	nothing																																										
O	7A-13	7A-D7																																																																																											<INPUT Key>									Output IR signal & change Device mode			VCR2	VR2	VCR	nothing																																	
O	7A-C1	7A-CD																																																																																																				<INPUT Key>									Output IR signal & change Device mode			DVD	DVD	DVD	YAMAHA-1																								
-	-	-																																																																																																													<INPUT Key>									DEVICE SELECT Key			Select Device mode (up)																		
-	-	-																																																																																																																						<INPUT Key>									DEVICE SELECT Key			Select Device mode (down)									
																																																																																																																																	8	9	10	11	12	13	14	15	16	17	18	19	YPC
																																																																																																																																	[A]	PHONO	TUNER	CD	V-AUX	CBL/SAT	MD/TAPE	CD-R	D-TV/LD	VCR1	VCR2/DVR	DVD	AMP
-	-	-	-	-	-	-	-	-	-	-	-																																																																																																																						-	-	-	-									
-	-	-	-	-	-	-	-	-	-	-	-	-	-	7C-80	(device)																																																																																																																														
O	-	-	Select AMP mode or Device mode																																																																																																																																										
-	-	-	-	-	-	7A-4F	-	-	79-AF	-	-	-	-	7C-88	(device)																																																																																																																														
-	-	-	7C-5A	-	-	7A-09	-	-	79-A9	7F-83	-	-	-	7C-83	(device)																																																																																																																														
-	-	-	7C-12	-	-	-	-	-	-	-	-	-	-	7C-AD	(device)																																																																																																																														
-	-	-	7C-02	-	-	7A-0B	-	-	79-AB	7F-86	-	-	-	7C-B9	(device)																																																																																																																														
-	-	-	7C-05	-	-	7A-08	-	-	79-AB	7F-82	-	-	-	7C-82	(device)																																																																																																																														
-	-	-	7C-03	-	-	7A-0A	-	-	79-AE	7F-87	-	-	-	7C-BA	(device)																																																																																																																														
-	-	-	7C-06	-	-	7A-0D	-	-	79-AC	7F-88	-	-	-	7C-86	(device)																																																																																																																														
-	-	-	7C-5B	-	-	7A-09	-	-	79-AA	7F-84	-	-	-	7C-85	(device)																																																																																																																														
-	-	-	7C-07	-	-	7A-0C	-	-	79-AD	7F-89	-	-	-	7C-87	(device)																																																																																																																														
O	7A-1A	7A-1A	7A-1A	7A-1A	7A-1A	7A-1A	7A-1A	7A-1A	7A-1A	7A-1A	7A-1A	7A-1A	7A-1A	7A-1A	7A-1A																																																																																																																														
O	7A-1B	7A-1B	7A-1B	7A-1B	7A-1B	7A-1B	7A-1B	7A-1B	7A-1B	7A-1B	7A-1B	7A-1B	7A-1B	7A-1B	7A-1B																																																																																																																														
-	-	-	-	-	-	-	-	-	-	-	-	-	-	7C-B1	7A-86																																																																																																																														
-	-	-	-	-	-	-	-	-	-	-	-	-	-	7C-B4	7A-98																																																																																																																														
-	-	-	-	-	7A-12	-	-	-	-	-	-	-	-	7C-B2	7A-9C																																																																																																																														
-	-	-	-	-	7A-11	-	-	-	-	-	-	-	-	7C-B5	7A-53																																																																																																																														
-	-	-	-	-	-	-	-	-	-	-	-	-	-	7C-B8	-																																																																																																																														
-	-	-	-	-	7A-10	-	-	-	-	-	-	-	-	7C-B6	7A-52																																																																																																																														
O	7A-1C	7A-DC	7A-1C	7A-1C	7A-1C	7A-1C	7A-1C	7A-1C	7A-1C	7A-1C	7A-1C	7A-1C	7A-1C	7A-1C	7A-1C																																																																																																																														
-	-	-	-	-	-	-	-	-	-	-	-	-	-	7C-B7	7A-85																																																																																																																														
-	-	-	-	-	-	-	-	-	-	-	-	-	-	7C-B3	7A-99																																																																																																																														
-	-	-	7C-13	-	-	79-0A	-	-	79-A5	7F-9E	-	-	-	7C-A6	7A-C2																																																																																																																														
O	7A-56	7A-56	7A-56	7A-56	7A-56	7A-56	7A-56	7A-56	7A-56	7A-56	7A-56	7A-56	7A-56	7A-56	7A-56																																																																																																																														
-	-	-	7C-17	-	7A-E5	79-11	-	-	79-85	7F-91	-	-	-	7C-94	7A-88																																																																																																																														
-	-	-	7C-18	-	7A-E6	79-12	-	-	79-86	7F-92	-	-	-	7C-95	7A-89																																																																																																																														
-	-	-	7C-19	-	7A-E7	79-13	-	-	79-87	7F-93	-	-	-	7C-96	7A-8A																																																																																																																														
-	-	-	7C-1A	-	7A-E8	79-14	-	-	79-88	7F-94	-	-	-	7C-97	7A-8B																																																																																																																														
-	-	-	7C-1B	-	7A-E9	79-15	-	-	79-89	7F-95	-	-	-	7C-98	7A-8C																																																																																																																														
-	-	-	7C-1C	-	7A-EA	79-16	-	-	79-8A	7F-96	-	-	-	7C-99	7A-8D																																																																																																																														
-	-	-	7C-1D	-	7A-EB	79-17	-	-	79-8B	7F-97	-	-	-	7C-9A	7A-8E																																																																																																																														
-	-	-	7C-1E	-	7A-EC	79-18	-	-	79-8C	7F-98	-	-	-	7C-9B	7A-8F																																																																																																																														
-	-	-	7C-1F	-	-	79-19	-	-	79-8D	7F-99	-	-	-	7C-9C	7A-90																																																																																																																														
-	-	-	7C-16	-	-	79-10	-	-	79-8E	7F-90	-	-	-	7C-93	7A-91																																																																																																																														
-	-	-	7C-5D	-	-	79-1A	-	-	79-8F	7F-9A	-	-	-	7C-9D	7A-96																																																																																																																														
-	-	-	7C-15	-	-	79-1B	-	-	7F-8A	-	-	-	-	7C-9E	7A-97																																																																																																																														

Learnable key (32 key x 12 mode + 4 common key)

Fix

# Parts List for Carbon Resistors

Value	1/4W Type Part No.	1/6W Type Part No.	Value	1/4W Type Part No.	1/6W Type Part No.
1.0 Ω	HJ35 3100	HF85 3100	10 kΩ	HF45 7100	HF45 7100
1.8 Ω	HJ35 3180	*	11 kΩ	HF45 7110	HF45 7110
2.2 Ω	HJ35 3220	HF85 3220	12 kΩ	HJ35 7120	HF85 7120
3.3 Ω	HJ35 3330	HF85 3330	13 kΩ	HF45 7130	HF45 7130
4.7 Ω	HJ35 3470	HF85 3470	15 kΩ	HF45 7150	HF45 7150
5.6 Ω	HJ35 3560	HF85 3560	18 kΩ	HF45 7180	HF45 7180
10 Ω	HF45 4100	HF45 4100	22 kΩ	HF45 7220	HF45 7220
15 Ω	HJ35 4150	HF85 4150	24 kΩ	HF45 7240	HF45 7240
22 Ω	HF45 4220	HF45 4220	27 kΩ	HJ35 7270	HF85 7270
27 Ω	HJ35 4270	HF85 4270	30 kΩ	HF45 7300	HF45 7300
33 Ω	HF45 4330	HF45 4330	33 kΩ	HF45 7330	HF45 7330
39 Ω	HJ35 4470	HF85 4390	36 kΩ	HF45 7360	HF45 7360
47 Ω	HF45 4470	HF45 4470	39 kΩ	HF45 7390	HF45 7390
56 Ω	HF45 4560	HF45 4560	47 kΩ	HF45 7470	HF45 7470
68 Ω	HF45 4680	HF45 4680	51 kΩ	HF45 7510	HF45 7510
75 Ω	HF45 4750	HF45 4750	56 kΩ	HF45 7560	HF45 7560
82 Ω	HF45 4820	HF45 4820	62 kΩ	HF45 7620	HF45 7620
91 Ω	HF45 4910	HF45 4910	68 kΩ	HF45 7680	HF45 7680
100 Ω	HF45 5100	HF45 5100	82 kΩ	HF45 7820	HF45 7820
110 Ω	HJ35 5110	HF85 5110	91 kΩ	HF45 7910	HF45 7910
120 Ω	HF45 5120	HF45 5120	100 kΩ	HF45 8100	HF45 8100
150 Ω	HF45 5150	HF45 5150	110 kΩ	HF45 8110	HF45 8110
160 Ω	HJ35 5160	*	120 kΩ	HF45 8120	HF45 8120
180 Ω	HF45 5180	HF45 5180	150 kΩ	HF45 8150	HF45 8150
200 Ω	HF45 5200	HF45 5200	180 kΩ	HF45 8180	HF45 8180
220 Ω	HF45 5220	HF45 5220	220 kΩ	HJ35 8220	HF85 8220
270 Ω	HF45 5270	HF45 5270	270 kΩ	HF45 8270	HF45 8270
330 Ω	HF45 5330	HF45 5330	300 kΩ	HF45 8300	HF45 8300
390 Ω	HF45 5390	HF45 5390	330 kΩ	HF45 8330	HF45 8330
430 Ω	HF45 5430	HF45 5430	390 kΩ	HJ35 8390	HF85 8390
470 Ω	HF45 5470	HF45 5470	470 kΩ	HF45 8470	HF45 8470
510 Ω	HF45 5510	HF45 5510	560 kΩ	HJ35 8560	HF85 8560
560 Ω	HF45 5560	HF45 5560	680 kΩ	HJ35 8680	HF85 8680
680 Ω	HF45 5680	HF45 5680	820 kΩ	HJ35 8820	HF85 8820
820 Ω	HF45 5820	HF45 5820	1.0 MΩ	HF45 9100	HF45 9100
910 Ω	HF45 5910	HF45 5910	1.2 MΩ	HJ35 9120	*
1.0 kΩ	HF45 6100	HF45 6100	1.5 MΩ	HJ35 9150	HF85 9150
1.2 kΩ	HF45 6120	HF45 6120	1.8 MΩ	HJ35 9180	HF85 9180
1.5 kΩ	HF45 6150	HF45 6150	2.2 MΩ	HJ35 9220	HF85 9220
1.8 kΩ	HF45 6180	HF45 6180	3.3 MΩ	HJ35 9330	HF85 9330
2.0 kΩ	HJ35 6200	HF85 6200	3.9 MΩ	HJ35 9390	*
2.2 kΩ	HF45 6220	HF45 6220	4.7 MΩ	HJ35 9470	HF85 9470
2.4 kΩ	HJ35 6240	HF85 6240			
2.7 kΩ	HF45 6270	HF45 6270			
3.0 kΩ	HF45 6300	HF45 6300			
3.3 kΩ	HF45 6330	HF45 6330			
3.6 kΩ	HJ35 6360	HF85 6360			
3.9 kΩ	HF45 6390	HF45 6390			
4.7 kΩ	HF45 6470	HF45 6470			
5.1 kΩ	HF45 6510	HF45 6510			
5.6 kΩ	HF45 6560	HF45 6560			
6.8 kΩ	HF45 6680	HF45 6680			
8.2 kΩ	HF45 6820	HF45 6820			
9.1 kΩ	HF45 6910	HF45 6910			



\* : Not available

RX-V2300/DSP-AX2300  
RX-V1300/RX-V1300RDS/HTR-5590/DSP-AX1300