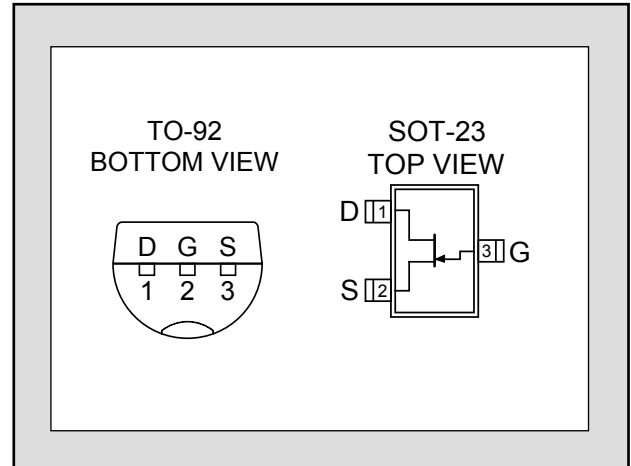


LSK170

ULTRA LOW NOISE SINGLE N-CHANNEL JFET

FEATURES	
ULTRA LOW NOISE ($f = 1\text{kHz}$)	$e_n = 0.9\text{nV}/\sqrt{\text{Hz}}$
HIGH BREAKDOWN VOLTAGE	$BV_{GSS} = 40\text{V max}$
HIGH GAIN	$Y_{fs} = 22\text{mS (typ)}$
HIGH INPUT IMPEDANCE	$I_G = -500\text{pA max}$
LOW CAPACITANCE	22pF max
IMPROVED SECOND SOURCE REPLACEMENT FOR 2SK170	
ABSOLUTE MAXIMUM RATINGS ¹	
@ 25 °C (unless otherwise stated)	
Maximum Temperatures	
Storage Temperature	-65 to +150 °C
Operating Junction Temperature	-55 to +135 °C
Maximum Power Dissipation	
Continuous Power Dissipation @ +125 °C	400mW
Maximum Currents	
Gate Forward Current	$I_{G(F)} = 10\text{mA}$
Maximum Voltages	
Gate to Source	$V_{GSS} = 40\text{V}$
Gate to Drain	$V_{GDS} = 40\text{V}$



*For equivalent monolithic dual, see LSK389 family.

ELECTRICAL CHARACTERISTICS @ 25 °C (unless otherwise stated)

SYMBOL	CHARACTERISTIC	MIN	TYP	MAX	UNITS	CONDITIONS
BV_{GSS}	Gate to Source Breakdown Voltage	40			V	$V_{DS} = 0, I_D = 100\mu\text{A}$
$V_{GS(OFF)}$	Gate to Source Pinch-off Voltage	0.2		2	V	$V_{DS} = 10\text{V}, I_D = 1\text{nA}$
V_{GS}	Gate to Source Operating Voltage		0.5		V	$V_{DS} = 10\text{V}, I_D = 1\text{mA}$
I_{DSS}	Drain to Source Saturation Current	LSK170A	2.6	6.5	mA	$V_{DG} = 10\text{V}, V_{GS} = 0$
		LSK170B	6	12		
		LSK170C	10	20		
I_G	Gate Operating Current			0.5	nA	$V_{DG} = 10\text{V}, I_D = 1\text{mA}$
I_{GSS}	Gate to Source Leakage Current			1	nA	$V_{DG} = 10\text{V}, V_{DS} = 0$
Y_{fss}	Full Conduction Transconductance		22		mS	$V_{GD} = 10\text{V}, V_{GS} = 0, f = 1\text{kHz}$
Y_{fs}	Typical Conduction Transconductance		10		mS	$V_{DG} = 15\text{V}, I_D = 1\text{mA}$
e_n	Noise Voltage		0.9	1.9	nV/ $\sqrt{\text{Hz}}$	$V_{DS} = 10\text{V}, I_D = 2\text{mA}, f = 1\text{kHz}, \text{NBW} = 1\text{Hz}$
e_n	Noise Voltage		2.5	4	nV/ $\sqrt{\text{Hz}}$	$V_{DS} = 10\text{V}, I_D = 2\text{mA}, f = 10\text{Hz}, \text{NBW} = 1\text{Hz}$
C_{ISS}	Common Source Input Capacitance		20		pF	$V_{DS} = 15\text{V}, I_D = 500\mu\text{A}$
C_{RSS}	Common Source Reverse Transfer Cap.		5		pF	

1. Absolute maximum ratings are limiting values above which serviceability may be impaired.

Information furnished by Linear Integrated Systems is believed to be accurate and reliable. However, no responsibility is assumed for its use; nor for any infringement of patents or other rights of third parties which may result from its use. No license is granted by implication or otherwise under any patent or patent rights of Linear Integrated Systems.